

DTS

ENTERTAINMENT

2022



NEVER STOP EVOLVING

**ITALIAN  
PROFESSIONAL  
LIGHTING**

D.T.S. Illuminazione S.r.l.  
via Fagnano Selve, 12/14  
47843 Misano adriatico (RN) Italy  
+39 0541 611131  
[www.dts.lighting](http://www.dts.lighting)

All specifications subject to change without notice

**ENTERTAINMENT  
PRODUCT LIST 2022**

# INDEX

## PROFILE MOVING HEADS

|                   |       |
|-------------------|-------|
| SYNERGY 7 PROFILE | 10-11 |
| SYNERGY 5 PROFILE | 12-13 |

## SPOT/BEAM MOVING HEADS

|                |       |
|----------------|-------|
| SYNERGY 5 SPOT | 16-17 |
| CORE           | 18-19 |
| EVO            | 20-21 |
| RAPTOR         | 22-23 |

## WASH MOVING HEADS

|               |       |
|---------------|-------|
| ALCHEMY 7     | 26-27 |
| ALCHEMY 5     | 28-29 |
| ALCHEMY 3     | 30-31 |
| EUPHONY 3     | 32-33 |
| NICK NRG 1401 | 34-35 |

## LED BARS

|                         |       |
|-------------------------|-------|
| KATANA                  | 38-39 |
| FOS 100 DYNAMIC SOLO FC | 40-41 |
| FOS 100 POWER SOLO FC   | 42-43 |

## CONVENTIONAL PROJECTORS LEDS

|                                       |       |
|---------------------------------------|-------|
| SCENA LED 200 (Fresnel - Antihalo)    | 46-47 |
| SCENA LED 200 CT (Fresnel - Antihalo) | 48-49 |
| SCENA LED 200 FC                      | 50-51 |
| SCENA LED 120 HQS                     | 52-53 |
| SCENA LED 80                          | 54-55 |
| SCENA LED 80 CT                       | 56-57 |
| SCENA LED 80 FC                       | 58-59 |

|                     |       |
|---------------------|-------|
| PROFILO LED 200     | 60-61 |
| PROFILO LED 200 CT  | 62-63 |
| PROFILO LED 200 FC  | 64-65 |
| PROFILO LED 120 HQS | 66-67 |
| PROFILO LED 80      | 68-69 |
| PROFILO LED 80 CT   | 70-71 |
| PROFILO LED 80 FC   | 72-73 |

## CONVENTIONAL PROJECTORS LAMP

|         |       |
|---------|-------|
| SCENA S | 76-77 |
|---------|-------|

## ARCHITAINMENT

|            |       |
|------------|-------|
| X BRICK    | 80-81 |
| BRICK      | 82-83 |
| MINI BRICK | 84-85 |

## CONTROLLERS/DEVICES

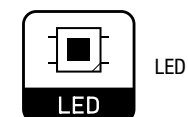
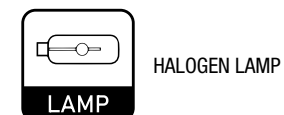
|                   |       |
|-------------------|-------|
| STICK DE3         | 88-89 |
| MASTER SOFTWARE 4 | 88-89 |
| SPLITTER          | 90-91 |
| DPU 1213          | 90-91 |

## ACCESSORIES

|       |        |
|-------|--------|
| NOTES | 94-97  |
|       | 98-103 |

# KEYS

## SOURCE



## OPTICAL GROUP



## SHIPPING FOAM



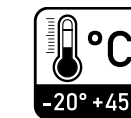
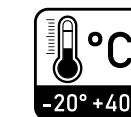
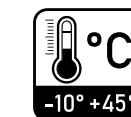
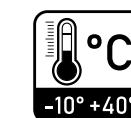
## OUTPUT



## DTS PATENT



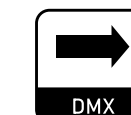
## OPERATION TEMPERATURE RANGE



## IP PROTECTION DEGREE



## CONTROL



## INTERNATIONAL CERTIFICATIONS





## **ITALIAN PROFESSIONAL LIGHTING**

Founded in 1980, DTS is an industry leader in professional lighting design. Driven by our passion and extensive experience, we create and manufacture unique projectors addressed to both entertainment and architectural markets.

Started as a family business, DTS owns 3 production plants (totaling 12,000 square meters) and sells worldwide to more than 70 countries. All production phases are completely based in Italy, from concept to assembly, and all the company's suppliers operate in the same region, supporting and strengthening the local economy.

The result is a wide range of innovative products with unparalleled quality, sealed by the prestigious ISO 9001:2015 certification and recognized by a growing number of architects, designers, distributors and system integrators.

DTS offers the following services to ensure each project fulfills the customer's unique set of requirements.

**MADE IN  
ITALY**



**PROPOSING SOLUTIONS MEANS VALUE YOUR PROJECTS INTEGRATING INFORMATION CONSULTING AND ASSISTANCE**

**Pre-sales consulting**

A team of professional consultants will suggest the best solution for each lighting project based on your specific needs.

**Customization**

DTS is designed in such a way that all departments work in close connection, sharing their knowledge and working together to find the best possible solution for every lighting project.

**After-sales assistance**

DTS ensures the highest level of customer care with technical assistance available 7 days a week, regular software upgrades, video tutorials, comprehensive literature and product training.

**Warranty**

All projectors are guaranteed with a generous three-year warranty. We are proud of the craftsmanship and technical excellence that goes into making our products.

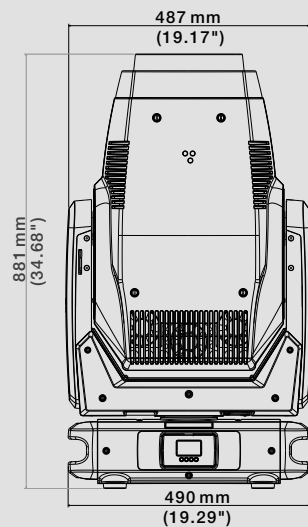
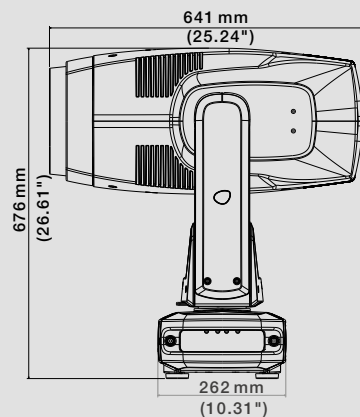




# SYNERGY 7 PROFILE



PROFILE MOVING HEAD THAT OFFERS HIGH POWER, SLEEK DESIGN AND GREAT VERSATILITY



## TECHNICAL DATA

### OUTPUT

- 1050 W pure white LED source (7000 K 55,000 Lumens output)
- Double CRI (DMX-selectable): CRI >75 or CRI >90 (R9 > 80)
- Average LED life: 50,000 hours (70% lumen output)

### OPTICAL GROUP

- 101,000 Lux (7° @ 5 m)
- 7° - 52° linear zoom with autofocus
- Linear Frost filter
- Electronic dimmer / shutter / strobe (0.3 to 33.3 flash/sec)

### COLOR GENERATION

- Linear CMY
- Linear CTO (3000 K – 7000 K)
- Gel filter emulation
- 4-color wheel (white correction + UV)
- 5-color wheel (two-color generation)

### IRIS

- Linear 16-blade Iris (15% ÷ 100%)

### DYNAMIC EFFECTS

- Dynamove FX Engine (DTS patent)
- Virtual Animation Wheel
- 2 customizable rotating 6-gobo wheel
- Circular 24-facet rotating prism
- Linear 6-facet rotating prism

### ROTATING FRAMING SYSTEM

- 4-blade rotating framing system
- Real 'curtain' effect for each blade
- 60° rotation for each blade (+/- 30°)
- 90° full system rotation (+/- 45°)

### USER INTERFACE

- LCD graphic display + 4 soft-keys; Auto-flip; Key-Lock function
- Li-Fe backup battery for controlling the display settings even when the unit is not powered

### CONTROL

- Art-Net 4, sACN, RDM/DMX 512 protocols
- 52 DMX channels (Default)

- 61 DMX channels:
  - 16 bit index for insertion and rotation of each blade
  - 16 bit index for blade system rotation
- Standard, Silent and Ultra-silent operation modes
- Noise level at Ultra-silent mode: 36dBA @ 1m (normal operation, full power)
- Firmware updatable via DTS firmware uploader dongle

### PAN & TILT

- Pan: 540°
- Tilt: 260°
- Tri-phase stepper motor technology;
- 16-bit resolution
- Pan / Tilt lock

### POWER SUPPLY

- Wide range 100-240Vac 50-60 Hz
- Power consumption: 1400 W max
- Power Factor: PF >0.90

### CONNECTIONS

- DMX: XLR 3-pole and 5-pole In / Out panel connectors
- Power supply: powerCON TRUE1 panel connector
- Art-Net / sACN: etherCON RJ45 panel connector

### CIRCUITS PROTECTION

- Overvoltage and overtemperature circuits protection
- Auto-parking: internal collision protection system

### OPERATING TEMPERATURE

-10° / 45° C

### STORAGE TEMPERATURE

-20° / 60° C

### PHYSICAL

- IP20
- Weight: 46.5 Kg (102.5 lbs)
- Finishing: Black

## ACCESSORIES INCLUDED

- 1 x PowerCON TRUE1 female cable connector (code 0520P066)
- 2 x Kit Omega clamp "Fast Lock" (code 02K00549)

## ACCESSORIES ON REQUEST

- Flightcase for 1 units (code 0521C080)
- Aliscap clamp for tube diameter 48-51 mm - max. load. 200 Kg (code 0521A033)
- G-QUICK clamp Professional - max. load 100 Kg (code 0521A037)
- Safety cable 5 x 600 mm - max capacity load 60 Kg (code 0521A038)
- DTS firmware uploader dongle (code 03.LA.206)

## PHOTOMETRIC DATA

|                | mt 5<br>ft 16.40  | mt 10<br>ft 32.81 | mt 15<br>ft 49.21 | mt 20<br>ft 65.62 | mt 25<br>ft 82.02 |       |
|----------------|-------------------|-------------------|-------------------|-------------------|-------------------|-------|
| BEAM ANGLE 7°  | lux center (lx)   | 101000            | 25250             | 11222             | 6313              | 4040  |
|                | foot candles (fc) | 9387              | 2347              | 1043              | 587               | 375   |
|                | diameter (cm)     | 61                | 122               | 183               | 245               | 306   |
|                | diameter (ft)     | 2.01              | 4.01              | 6.02              | 8.03              | 10.03 |
| BEAM ANGLE 52° | lux center (lx)   | 11389             | 2847              | 1265              | 712               | 456   |
|                | foot candles (fc) | 1058              | 265               | 118               | 66                | 42    |
|                | diameter (cm)     | 293               | 585               | 878               | 1171              | 1463  |
|                | diameter (ft)     | 9.60              | 19.20             | 28.80             | 38.40             | 48.00 |

## FEATURES



## OPTIONALS

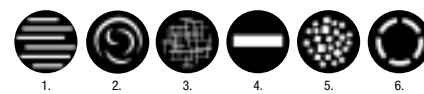
## CERTIFICATIONS



## CODE

03.MP003

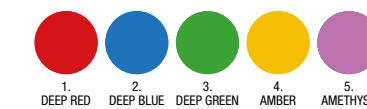
## ROTATING GOBO WHEEL 1



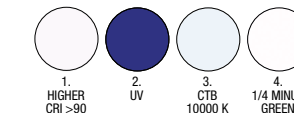
## ROTATING GOBO WHEEL 2



## COLOR WHEEL



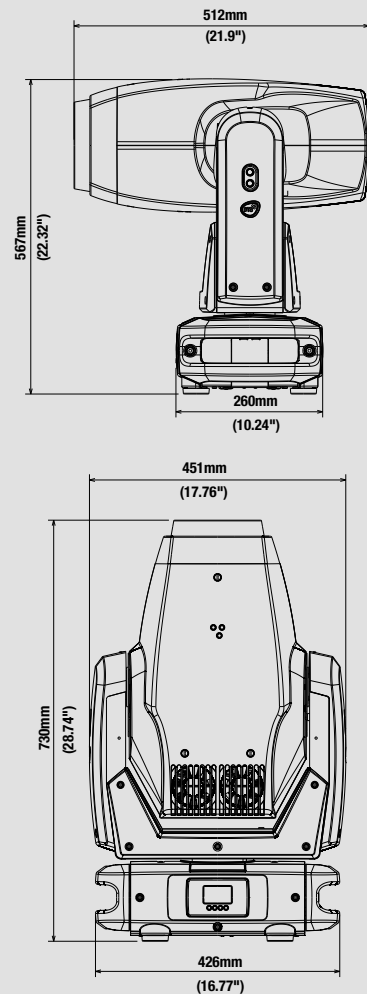
## WHITE CORRECTION + UV COLOR WHEEL



# SYNERGY 5 PROFILE



## HIGH POWER LED MOVING HEAD WITH FRAMING SYSTEM



### TECHNICAL DATA

#### OUTPUT

- 420 W pure white LED source (7000 K 16,500 Lumens output)
- Double CRI (DMX-selectable): CRI >90 or CRI >75
- Average LED life: 50,000 hours (70% lumen output)

#### OPTICAL GROUP

- 49,900 Lux (4.6°@ 5 m)
- 4.6° - 43° linear zoom with autofocus
- Linear soft frost filter (Medium and Heavy frost filters available on demand)
- Electronic dimmer / shutter / strobe (0.3 to 33.3 flash/sec)

#### COLOR GENERATION

- Linear CMY
- Linear CTO (3000 K – 7000 K)
- Gel filter emulation
- 6-color wheel
- Two-color generation

#### DYNAMIC EFFECTS

- Dynamove FX Engine (DTS Patent)
- Virtual Animation Wheel
- Customizable rotating 6-gobo wheel
- Circular 24-facet rotating prism
- Linear 6-facet rotating prism

#### ROTATING FRAMING SYSTEM

- 4-blade rotating framing system
- Real "curtain" effect for each blade
- 60° rotation for each blade (+/- 30°)
- 90° full system rotation (+/- 45°)

#### CONTROL

- LCD graphic display + 4 soft-keys; Auto-flip; Key-Lock function
- Art-Net 4, sACN, RDM/DMX 512 protocols
- Standard and Silent operation modes
  - Noise level at Silent mode: 37dBA @ 1m (normal operation, full power)

- Firmware updatable via DTS firmware uploader dongle
- Li-Fe backup battery for controlling the display settings even when the unit is not powered

#### DMX

- 44 DMX channels (Default)
- 53 DMX channels:
  - 16 bit index for insertion and rotation of each blade
  - 16 bit index for blade system rotation

#### PAN & TILT

- Pan: 540°: 2.7 s
- Tilt: 240°: 1.6 s
- Tri-phase stepper motor technology;
- 16-bit resolution
- Selectable speed ranges
- Pan / Tilt lock

#### POWER SUPPLY

- Wide-range 100-277Vac 50-60 Hz
- Power consumption: 550 W max
- Power Factor: PF >0.90

#### CONNECTIONS

- DMX: XLR 3-pole and 5-pole In / Out panel connectors
- Power supply: powerCON TRUE1 In / Out panel connectors
- Art-Net / sACN: etherCON RJ45 panel connector

#### CIRCUITS PROTECTION

- Overvoltage and overtemperature circuits protection

#### OPERATING TEMPERATURE

-10° / 45° C

#### PHYSICAL

- IP20
- Weight: 35 Kg (77 lbs)
- Finishing: Black

### ACCESSORIES INCLUDED

- 1 x Synergy EZ-shell- 560 x 490 x 670 mm - 2 pcs needed in each flightcase (code 0512K146.1)
- 1 x Soft frost filter - already mounted on the unit (code 02SK0410)
- 1 x PowerCON TRUE1 female cable connector (code 0520P066)
- 1 x XLR 5 pins female cable connector (code 0508B147)
- 1 x XLR 5 pins male cable connector (code 0508B148)
- 2 x Kit Omega clamp "Fast Lock" (code 02K00549)

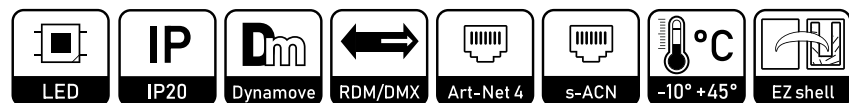
### ACCESSORIES ON REQUEST

- Medium frost filter (code 02SK0428)
- Heavy frost filter (code 02SK0430)
- Flightcase for 2 units (code 0521C073)
- Aliscap clamp for tube diameter 48-51 mm - max. load. 200 Kg (code 0521A033)
- G-QUICK clamp Professional - max. load 100 Kg (code 0521A037)
- Outdoor DMX cable 2 x 0,25 mm<sup>2</sup> - Flame retardant (code 0509C158)
- Safety cable 5 x 600 mm - max capacity load 60 Kg (code 0521A038)
- DTS firmware uploader dongle (code 03.LA.206)

### PHOTOMETRIC DATA

|                 | mt 5<br>ft 16.40  | mt 10<br>ft 32.81 | mt 15<br>ft 49.21 | mt 20<br>ft 65.62 | mt 25<br>ft 82.02 |       |
|-----------------|-------------------|-------------------|-------------------|-------------------|-------------------|-------|
| BEAM ANGLE 4.6° | lux center (lx)   | 49940             | 12485             | 5549              | 3121              | 1998  |
|                 | foot candles (fc) | 4641              | 1160              | 516               | 290               | 186   |
|                 | diameter (cm)     | 40                | 80                | 120               | 161               | 201   |
|                 | diameter (ft)     | 1.32              | 2.64              | 3.95              | 5.27              | 6.59  |
| BEAM ANGLE 43°  | mt 3<br>ft 9.84   | mt 6<br>ft 19.68  | mt 9<br>ft 29.53  | mt 12<br>ft 39.37 | mt 15<br>ft 49.21 |       |
|                 | lux center (lx)   | 4119              | 1030              | 458               | 257               | 165   |
|                 | foot candles (fc) | 383               | 96                | 43                | 24                | 15    |
|                 | diameter (cm)     | 236               | 473               | 709               | 945               | 1182  |
|                 | diameter (ft)     | 7.75              | 15.51             | 23.26             | 31.02             | 38.77 |

### FEATURES



### OPTIONALS

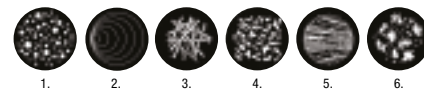
### CERTIFICATIONS



### CODE

03.MP001

### ROTATING GOBO WHEEL



### COLOR WHEEL



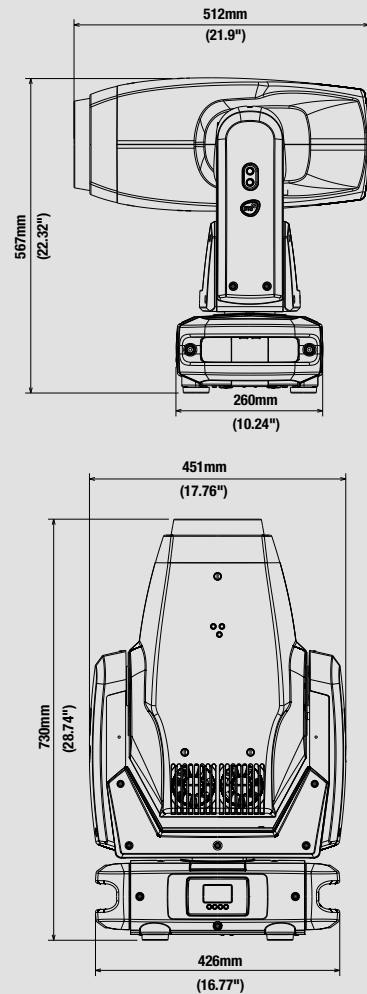




# SYNERGY 5 SPOT



## HIGH POWER LED MOVING HEAD FOR ENTERTAINMENT AND BROADCAST APPLICATIONS



### TECHNICAL DATA

#### OUTPUT

- 420 W pure white LED source (7000 K 16,500 Lumens output)
- Double CRI (DMX-selectable): CRI >90 or CRI >75
- Average LED life: 50,000 hours (70% lumen output)

#### OPTICAL GROUP

- 48,500 Lux (5.5°@ 5 m)
- 5.5° - 43° linear zoom with autofocus
- Linear soft frost filter (Medium and Heavy frost filters available on demand)
- Electronic dimmer / shutter / strobe (0.3 to 33.3 flash/sec)

#### COLOR GENERATION

- Linear CMY
- Linear CTO (3000 K – 7000 K)
- Gel filter emulation
- 6-color wheel
- Two-color generation

#### DYNAMIC EFFECTS

- Dynamove FX Engine (DTS Patent)
- Virtual Animation Wheel
- Customizable rotating 6-gobo wheel
- Fixed 13-gobo wheel
- Circular 24-facet rotating prism
- Linear 6-facet rotating prism

#### CONTROL

- LCD graphic display + 4 soft-keys; Auto-flip; Key-Lock function
- Art-Net 4, sACN, RDM/DMX 512 protocols
- Standard and Silent operation modes
- Noise level at Silent mode: 37dBA @ 1m (normal operation, full power)

- Firmware updatable via DTS firmware uploader dongle
- Li-Fe backup battery for controlling the display settings even when the unit is not powered

#### DMX

- 37 DMX channels

#### PAN & TILT

- Pan: 540°: 2.7 s
- Tilt: 240°: 1.6 s
- Tri-phase stepper motor technology;
- 16-bit resolution
- Selectable speed ranges
- Pan / Tilt lock

#### POWER SUPPLY

- Wide-range 100-277Vac 50-60 Hz
- Power consumption: 550 W max
- Power Factor: PF >0.90

#### CONNECTIONS

- DMX: XLR 3-pole and 5-pole In / Out panel connectors
- Power supply: powerCON TRUE1 In / Out panel connectors
- Art-Net / sACN: etherCON RJ45 connector

#### CIRCUITS PROTECTION

- Overvoltage and overtemperature circuits protection

#### OPERATING TEMPERATURE

-10° / 45° C

#### PHYSICAL

- IP20
- Weight: 35 Kg (77 lbs)
- Finishing: Black

### ACCESSORIES INCLUDED

- 1 x Synergy EZ-shell- 560 x 490 x 670 mm - 2 pcs needed in each flightcase (code 0512K146.1)
- 1 x Soft frost filter - already mounted on the unit (code 02SK0410)
- 1 x PowerCON TRUE1 female cable connector (code 0520P066)
- 1 x XLR 5 pins female cable connector (code 0508B147)
- 1 x XLR 5 pins male cable connector (code 0508B148)
- 2 x Kit Omega clamp "Fast Lock" (code 02K00549)

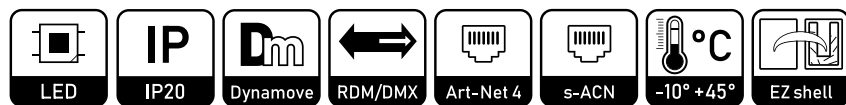
### ACCESSORIES ON REQUEST

- Medium frost filter (code 02SK0428)
- Heavy frost filter (code 02SK0430)
- Flightcase for 2 units (code 0521C073)
- Aliscap clamp for tube diameter 48-51 mm - max. load: 200 Kg (code 0521A033)
- G-QUICK clamp Professional - max. load 100 Kg (code 0521A037)
- Outdoor DMX cable 2 x 0,25 mm<sup>2</sup> - Flame retardant (code 0509C158)
- Safety cable 5 x 600 mm - max capacity load 60 Kg (code 0521A038)
- DTS firmware uploader dongle (code 03.LA.206)

### PHOTOMETRIC DATA

|                 | mt 5<br>ft 16.40  | mt 10<br>ft 32.81 | mt 15<br>ft 49.21 | mt 20<br>ft 65.62 | mt 25<br>ft 82.02 |       |
|-----------------|-------------------|-------------------|-------------------|-------------------|-------------------|-------|
| BEAM ANGLE 5.5° | lux center (lx)   | 48500             | 12125             | 5389              | 3031              | 1940  |
|                 | foot candles (fc) | 4507              | 1127              | 501               | 282               | 180   |
|                 | diameter (cm)     | 48                | 96                | 144               | 192               | 240   |
|                 | diameter (ft)     | 1.58              | 3.15              | 4.73              | 6.30              | 7.88  |
| BEAM ANGLE 43°  | mt 3<br>ft 9.84   | mt 6<br>ft 19.68  | mt 9<br>ft 29.53  | mt 12<br>ft 39.37 | mt 15<br>ft 49.21 |       |
|                 | lux center (lx)   | 4119              | 1030              | 458               | 257               | 165   |
|                 | foot candles (fc) | 383               | 96                | 43                | 24                | 15    |
|                 | diameter (cm)     | 236               | 473               | 709               | 945               | 1182  |
|                 | diameter (ft)     | 7.75              | 15.51             | 23.26             | 31.02             | 38.77 |

### FEATURES



### OPTIONALS

### CERTIFICATIONS



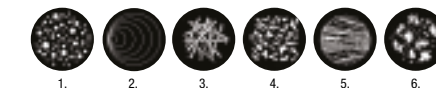
### CODE

03.MS022

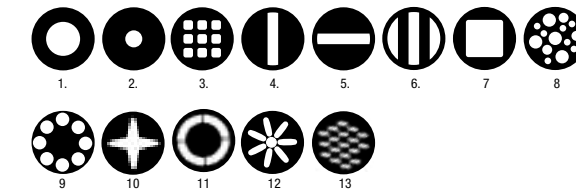
### COLOR WHEEL



### ROTATING GOBO WHEEL



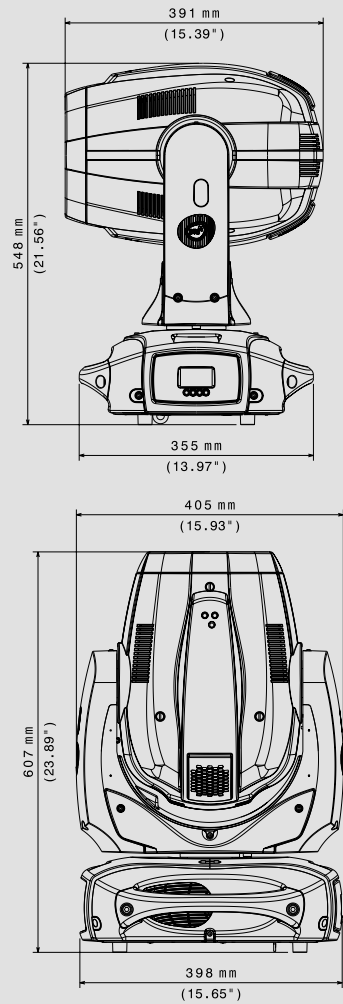
### FIXED GOBO WHEEL



# CORE



## BEAM AND SPOT ALL IN ONE FOR A RANGE OF PROFESSIONAL APPLICATIONS



### TECHNICAL DATA

#### OUTPUT

- Lamp: Osram Sirius HRI 440 W (Lumen source 24,000)
- Color temperature: 7000 K
- CRI: 80
- Average lamp life: 1,500 hours

#### OPTICAL GROUP

- Improved optical group: Spot and Beam all in one
- 1,530,000 Lux @ 5 m
- 16-bit motorized wide-excursion linear zoom
- Beam opening: 2° - 39°
- 16-bit motorized linear focus
- Linear dimmer / shutter / strobe (0.85 flash/sec to 10 flash/sec)
- Effect glass filters
- Frost Filter

#### COLOR GENERATION

- 16-color wheel
- Two-tone generation

#### DYNAMIC EFFECTS

- Overlapping wheel for multiple effects:
  - Customizable rotating gobo wheel (9 gobos)
  - Fixed gobo wheel (17 gobos + animation sector + Open)
- 8-facet rotating prism

#### CONTROL

- Auto flip LCD graphic display + 4 soft-keys (control / management of the main parameters)
- Controlled via DMX 512 and RDM standard digital communication protocols
- Firmware updatable via DTS firmware uploader dongle

#### DMX

- 24 DMX channels (default)
- 18 DMX channels

#### PAN & TILT

- Pan: 540°: 2.7 s
- Tilt: 244°: 2 s
- Tri-phase stepper motor technology for ultra-fast silent movements
- 16-bit resolution
- Selectable speed ranges
- Pan / Tilt lock

#### POWER SUPPLY

- Wide-range 100-240Vac 50-60 Hz
- Power consumption: 600 W with PFC
- Power saving mode (the lamp dims to 80% after shutter closure)
- Power Factor: PF >0.90

#### CONNECTIONS

- DMX: XLR 3-pole and 5-pole In / Out panel connectors
- Power supply: powerCON In / Out panel connectors

#### CIRCUITS PROTECTION

- Overvoltage and overtemperature circuits protection

#### OPERATING TEMPERATURE

-10° / 40° C

#### PHYSICAL

- IP20
- Weight: 24.3 Kg (53.6 lbs)
- Finishing: Black

### ACCESSORIES INCLUDED

- 1 x PowerCON female cable connector (code 0520P014)
- 1 x XLR 5 Pins male cable connector (code 0508B148)
- 1 x XLR 5 Pins female cable connector (code 0508B147)
- 2 x Omega Bracket with "Fast Lock" connection 1/4 turn (code 02K00549)

### ACCESSORIES ON REQUEST

- Lamp 440W SIRIUS HRI (code 0505S039)
- Flightcase for 2 units (code 0521C065.2)
- Aliscaf clamp for tube diameter 48-51 mm - max. load. 200 Kg (code 0521A033)
- G-QUICK clamp Professional -max. load 100 Kg (code 0521A037)
- Custom gobo for rotating wheel (code 0516R001.58)
- Outdoor DMX cable 2 x 0,25 mm<sup>2</sup> - Flame retardant (code 0509C158)
- Safety cable - 3 x 600 mm - max. capacity load 30 Kg (code 0521A010)
- DTS firmware uploader dongle (code 03.LA.206)

### PHOTOMETRIC DATA

|                | mt 5<br>ft 16.40  | mt 15<br>ft 49.21 | mt 25<br>ft 82.02 | mt 50<br>ft 164.04 | mt 100<br>ft 328.08 |        |
|----------------|-------------------|-------------------|-------------------|--------------------|---------------------|--------|
| BEAM ANGLE 2°  | lux center (lx)   | 1530000           | 170000            | 61200              | 15300               | 3825   |
|                | foot candles (fc) | 142193            | 15799             | 5688               | 1422                | 355    |
|                | diameter (cm)     | 17                | 52                | 87                 | 175                 | 349    |
|                | diameter (ft)     | 0.57              | 1.72              | 2.86               | 5.73                | 11.45  |
| BEAM ANGLE 39° | lux center (lx)   | 5300              | 589               | 212                | 53                  | 13     |
|                | foot candles (fc) | 493               | 55                | 20                 | 5                   | 1      |
|                | diameter (cm)     | 354               | 1062              | 1771               | 3541                | 7082   |
|                | diameter (ft)     | 11.62             | 34.85             | 58.09              | 116.18              | 232.36 |

### FEATURES



### OPTIONALS

### CERTIFICATIONS

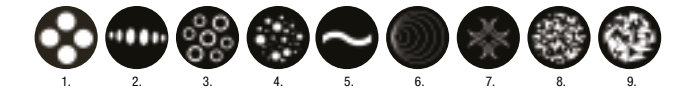


CODE  
03.MS018.L

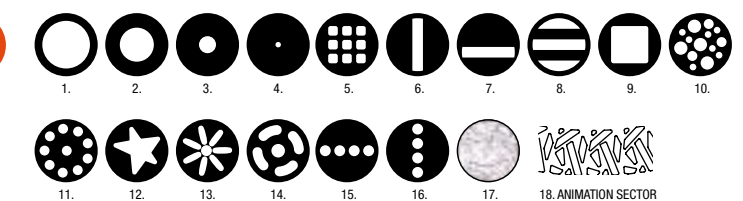
### COLOR WHEEL



### ROTATING GOBO WHEEL



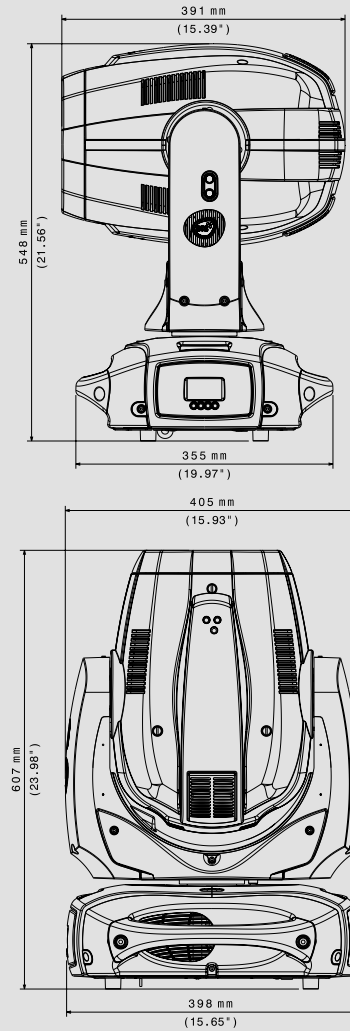
### FIXED GOBO WHEEL



# EVO



## BEAM AND SPOT MOVING HEAD PERFECT FOR CONCERTS AND TV STUDIOS



### TECHNICAL DATA

#### OUTPUT

- Lamp: Osram Sirius HRI 440 W (Lumen source 24,000)
- Color temperature: 7000 K
- CRI: 80
- Average lamp life: 1,500 hours

#### OPTICAL GROUP

- Improved optical group: Spot and Beam all in one
- 1,530,000 Lux @ 5 m
- 16-bit motorized wide-excursion linear zoom
- Beam opening: 2° - 39°
- 16-bit motorized linear focus
- Linear dimmer / shutter / strobe (0.85 flash/sec to 10 flash/sec)
- Effect glass filters
- Frost Filter

#### COLOR GENERATION

- Linear CMY + CTO
- 21-color wheel
- Two-tone generation

#### DYNAMIC EFFECTS

- Overlapping wheel for multiple effects:
  - Customizable rotating gobo wheel (8 gobos + Open)
  - Fixed gobo wheel (17 gobos + animation sector + Open)
- 8-facet and linear rotating prism
- Dyna-Prism (DTS patent)

#### CONTROL

- Auto flip LCD graphic display + 4 soft-keys (control / management of the main parameters)
- Controlled via DMX 512 and RDM standard digital communication protocols
- Firmware updatable via DTS firmware uploader dongle

- Li-Fe backup battery for controlling the main parameters even when EVO is not powered

#### DMX

- 32 DMX channels (default)
- 24 DMX channels

#### PAN & TILT

- 'FPR' system (DTS patent)
- Pan: limitless rotation, in both directions
- Tilt: 244°: 2 s
- Tri-phase stepper motor technology for ultra-fast silent movements
- 16-bit resolution
- Selectable speed ranges
- Pan / Tilt lock

#### POWER SUPPLY

- Wide-range 100-240Vac 50-60 Hz
- Power consumption: 600 W with PFC
- Power saving mode (the lamp dims to 80% after shutter closure)
- Power Factor: PF >0.90

#### CONNECTIONS

- DMX: XLR 3-pole and 5-pole In / Out panel connectors
- Power supply: powerCON In / Out panel connectors

#### CIRCUITS PROTECTION

- Overvoltage and overtemperature circuits protection

#### OPERATING TEMPERATURE

-10° / 40° C

#### PHYSICAL

- IP20
- Weight: 24.4 Kg (53.8 lbs)
- Finishing: Black

### ACCESSORIES INCLUDED

- 1 x PowerCON female cable connector (code 0520P014)
- 1 x XLR 5 Pins male cable connector (code 0508B148)
- 1 x XLR 5 Pins female cable connector (code 0508B147)
- 2 x Omega Bracket with "Fast Lock" connection 1/4 turn (code 02K00549)

### ACCESSORIES ON REQUEST

- Lamp 440W SIRIUS HRI (code 0505S039)
- Flightcase for 2 units (code 0521C065.2)
- Aliscap clamp for tube diameter 48-51 mm - max. load. 200 Kg (code 0521A033)
- G-QUICK clamp Professional -max. load 100 Kg (code 0521A037)
- Custom gobo for rotating wheel (code 0516R001.58)
- Outdoor DMX cable 2 x 0,25 mm<sup>2</sup> - Flame retardant (code 0509C158)
- Safety cable - 3 x 600 mm - max. capacity load 30 Kg (code 0521A010)
- DTS firmware uploader dongle (code 03.LA.206)

### PHOTOMETRIC DATA

|                | mt 5<br>ft 16.40  | mt 15<br>ft 49.21 | mt 25<br>ft 82.02 | mt 50<br>ft 164.04 | mt 100<br>ft 328.08 |        |
|----------------|-------------------|-------------------|-------------------|--------------------|---------------------|--------|
| BEAM ANGLE 2°  | lux center (lx)   | 1530000           | 170000            | 61200              | 15300               | 3825   |
|                | foot candles (fc) | 142193            | 15799             | 5688               | 1422                | 355    |
|                | diameter (cm)     | 17                | 52                | 87                 | 175                 | 349    |
|                | diameter (ft)     | 0.57              | 1.72              | 2.86               | 5.73                | 11.45  |
| BEAM ANGLE 39° | lux center (lx)   | 5300              | 589               | 212                | 53                  | 13     |
|                | foot candles (fc) | 493               | 55                | 20                 | 5                   | 1      |
|                | diameter (cm)     | 354               | 1062              | 1771               | 3541                | 7082   |
|                | diameter (ft)     | 11.62             | 34.85             | 58.09              | 116.18              | 232.36 |

### FEATURES



### OPTIONALS

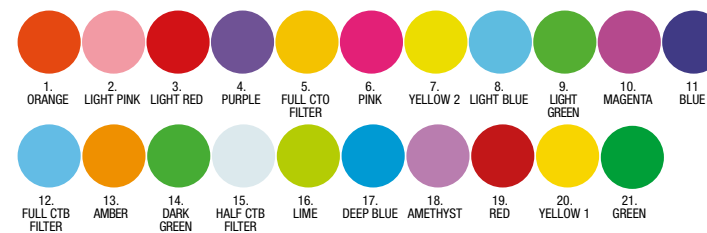
### CERTIFICATIONS



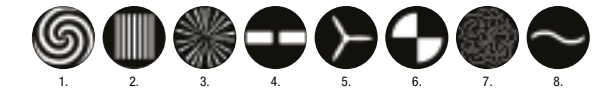
### CODE

03.MS016.LFP

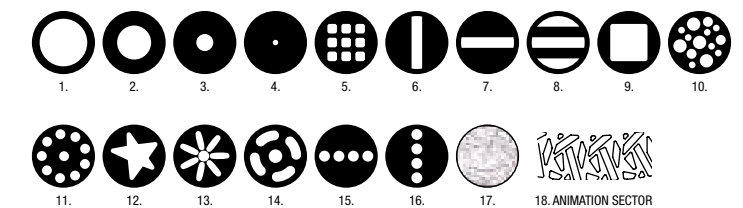
### COLOR WHEEL



### ROTATING GOBO WHEEL



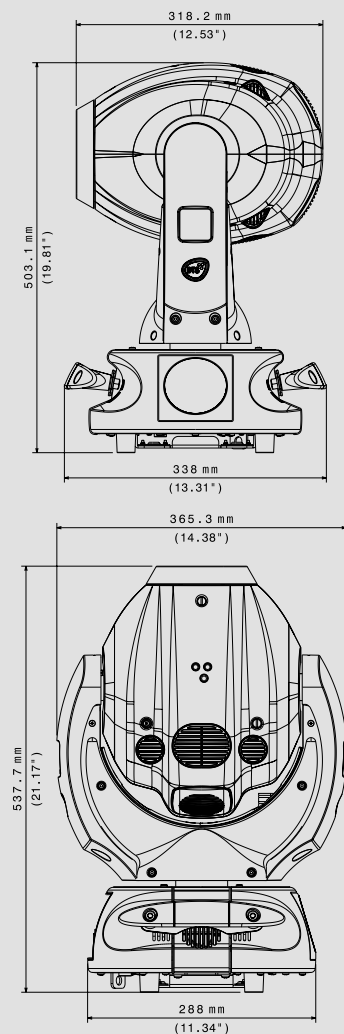
### FIXED GOBO WHEEL



# RAPTOR



## ULTRA BRIGHT, FAST MOVEMENT BEAM MOVING HEAD



### TECHNICAL DATA

#### OUTPUT

- Lamp: Osram Sirius HRI 330 W (Lumen source 16,500)
- Color temperature: 7500 K
- CRI: 80
- Average lamp life: 1,500 hours

#### OPTICAL GROUP

- Beam opening: 3.4°
- 156,800 Lux @ 15 m
- 16-bit motorized linear focus
- Linear dimmer / shutter / ultra-fast strobe

#### COLOR GENERATION

- 17-color wheel with linear selection for perfect 2-color beams

#### DYNAMIC EFFECTS

- 17-gobo wheel
- 8-facet rotating prism

#### FILTERS

- Smooth filter (eliminates the hot spot, evenly diffusing luminosity)
- Frost filter

#### CONTROL

- LCD graphic display + 4 soft-keys (control / management of the main parameters)
- Controlled via DMX 512 and RDM standard digital communication protocols
- Firmware updatable via DTS firmware uploader dongle

#### DMX

- 18 DMX channels (default)
- 20 DMX channels

#### PAN & TILT

- 'FPR' system (DTS patent)
- Pan: limitless rotation, in both directions
- Tilt: 240°: 1.2 s
- Tri-phase stepper motor technology for ultra-fast silent movements
- 16-bit resolution
- Selectable speed ranges

#### POWER SUPPLY

- Wide-range 100-240Vac 50-60 Hz
- Power consumption: 450 W with PFC
- Power Factor: PF >0.90

#### CONNECTIONS

- DMX: XLR 3-pole and 5-pole In / Out panel connectors
- Power supply: powerCON In / Out panel connectors

#### CIRCUITS PROTECTION

- Overvoltage and overtemperature circuits protection

#### OPERATING TEMPERATURE

-10° / 40° C

#### PHYSICAL

- IP20
- Weight: 17 Kg (37.5 lbs)
- Finishing: Black

### ACCESSORIES INCLUDED

- 1 x PowerCON female cable connector (code 0520P014)
- 1 x XLR 5 Pins male cable connector (code 0508B148)
- 1 x XLR 5 Pins female cable connector (code 0508B147)
- 2 x Omega Bracket with "Fast Lock" connection 1/4 turn (code 02K00549)

### ACCESSORIES ON REQUEST

- Lamp Osram Sirius HRI 330 W (code 0505S037)
- Flightcase for 4 units (code 0521C059.1)
- Aliscaf clamp for tube diameter 48-51 mm - max. load. 200 Kg (code 0521A033)
- G-QUICK clamp Professional -max. load 100 Kg (code 0521A037)
- Outdoor DMX cable 2 x 0,25 mm<sup>2</sup> - Flame retardant (code 0509C158)
- Safety cable - 3 x 600 mm - max. capacity load 30 Kg (code 0521A010)
- DTS firmware uploader dongle (code 03.LA.206)

### PHOTOMETRIC DATA

|                                    | mt 5<br>ft 16.40 | mt 15<br>ft 49.21 | mt 25<br>ft 82.02 | mt 50<br>ft 164.04 | mt 100<br>ft 328.08 |
|------------------------------------|------------------|-------------------|-------------------|--------------------|---------------------|
| BEAM ANGLE 3.4°<br>lux center (lx) | 1411200          | 156800            | 56448             | 14112              | 3528                |
| foot candles (fc)                  | 131152           | 14572             | 5246              | 1312               | 328                 |
| diameter (cm)                      | 30               | 89                | 148               | 297                | 594                 |
| diameter (ft)                      | 0.97             | 2.92              | 4.87              | 9.74               | 19.47               |

### FEATURES



### OPTIONALS

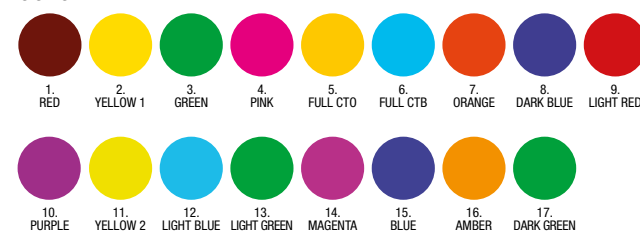
### CERTIFICATIONS



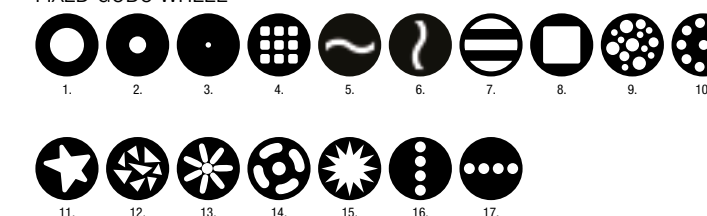
### CODE

03.MB005.EB.LFP

### COLOR WHEEL



### FIXED GOBO WHEEL

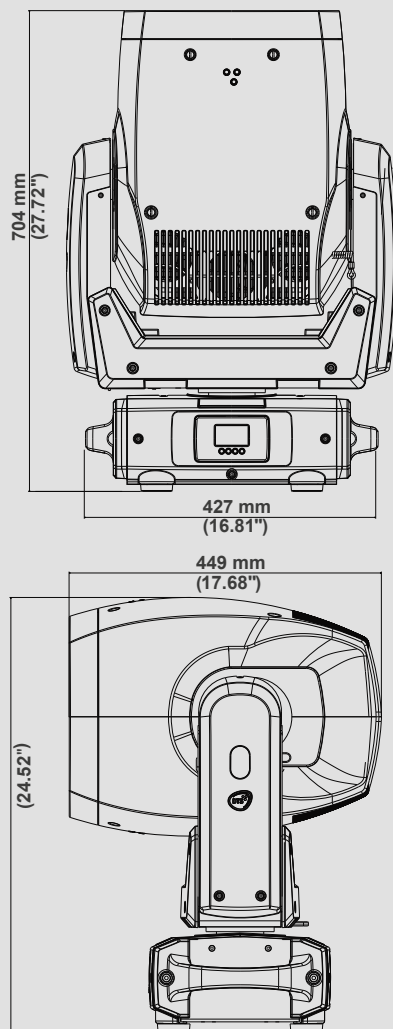




# ALCHEMY 7



## THE NEW-GENERATION FRESNEL LED WASH LIGHT WITH HIGH POWER PERFORMANCE



### TECHNICAL DATA

#### OUTPUT

- Multi-chip LED source
- LED source: 800 W
- Lumen output: 22,000
- CRI: up to 98
- TLCI: up to 96
- LED lifespan: 20,000 hours (70% lumen output)

#### OPTICAL GROUP

- 15° - 50° linear zoom
- Ø 250 mm Fresnel lens
- Indexable beam shaper (2:1 ratio) with endless continuous rotation
- Heavy frost filter insertable via DMX
- Retractable 'top hat'

#### COLOR & WHITE GENERATION

- 6-color LED engine
- Linear CCT (1800 K - 10000 K)
- Linear 'green saturation'
- 100 gel filters emulation:
  - Linear crossfade from gel filters emulation to CCT whites
  - Linear crossfade between emulated gel filters
  - True color of gel filters emulation at any CCT values
- "Raw" RGBACL color-mixing in 'Advanced' mode
- Deep blue and Deep red filters (DMX-selectable)

#### ROTATING FRAMING SYSTEM

- 2-blade rotating framing system
- Real "curtain" effect for each blade
- 60° rotation for each blade (+/- 30°)
- 180° full system rotation (+/- 90°)

#### DIMMER

- Hi-Q Dimming technology
- Tungsten Emulation function

#### CONTROL

- LCD graphic display + 4 soft-keys; ("auto-flip" and "key-lock" function available)
- Art-Net 4, sACN, RDM/DMX 512 protocols
- 'Standard' and 'Silent' operation modes
  - Noise level at Silent mode: 38 dBA

- @ 1m (normal operation, full power)
- Firmware updatable via DTS firmware uploader dongle
- "Li-Fe" backup battery allows the use of the unit's on-board display when it is not powered, besides ensuring a safe return and blockage of the top hat during shut down

#### DMX

- 5 DMX modes:
  1. CCT (default)
  2. Advanced
  3. Basic
  4. Expo
  5. CMY Emulation

#### PAN & TILT

- Pan 540° : 3.8 s
- Tilt 220° : 2.1 s
- 16-bit resolution
- Pan / Tilt lock

#### POWER SUPPLY

- Electronic Wide-range 100/240 Vac 50-60 Hz
- Power consumption: 800 W max
- Power Factor: PF >0.90

#### CONNECTIONS

- DMX: XLR 3-pole and 5-pole In/Out panel connectors
- Power supply: PowerCON TRUE1 panel connectors
- Art-Net / sACN: etherCON RJ45 panel connector

#### CIRCUITS PROTECTION

- Overvoltage and overtemperature circuits protection

#### OPERATING TEMPERATURE

-10° / 45° C

#### STORAGE TEMPERATURE

-20° / 60° C

#### PHYSICAL

- IP20
- Weight: 34 Kg (75 lbs)
- Finishing: Black

### ACCESSORIES INCLUDED

- 2 x Omega bracket with "Fast Lock" connection 1/4 turn (code 02K00549)

### ACCESSORIES ON REQUEST

- Aliscaf clamp for tube diameter 48-51 mm - max. load. 200 Kg (code 0521A033)
- G-QUICK clamp Professional - max. load 100 Kg (code 0521A037)
- Safety cable 5 x 600 mm - max capacity load 60 Kg (code 0521A038)
- DTS firmware uploader dongle (code 03.LA.206)

### PHOTOMETRIC DATA

|                        |        | mt 5<br>ft 16.40  | mt 10<br>ft 32.81 | mt 15<br>ft 49.21 | mt 20<br>ft 65.62 | mt 25<br>ft 82.02 |       |
|------------------------|--------|-------------------|-------------------|-------------------|-------------------|-------------------|-------|
| BEAM ANGLE 15° - @ 50% | 3200 K | lux center (lx)   | 8568              | 2142              | 952               | 536               | 343   |
|                        |        | foot candles (fc) | 796               | 199               | 88                | 50                | 32    |
|                        | 4000 K | lux center (lx)   | 10710             | 2678              | 1190              | 669               | 428   |
|                        |        | foot candles (fc) | 995               | 249               | 111               | 62                | 40    |
|                        | 5600 K | lux center (lx)   | 12060             | 3015              | 1340              | 754               | 482   |
|                        |        | foot candles (fc) | 1121              | 280               | 125               | 70                | 45    |
|                        |        | diameter (cm)     | 132               | 263               | 395               | 527               | 658   |
|                        |        | diameter (ft)     | 4.32              | 8.64              | 12.96             | 17.28             | 21.60 |
|                        |        | mt 3<br>ft 9.84   | mt 6<br>ft 19.68  | mt 9<br>ft 29.53  | mt 12<br>ft 39.37 | mt 15<br>ft 49.21 |       |
| BEAM ANGLE 50° - @ 10% | 3200 K | lux center (lx)   | 5500              | 1375              | 611               | 344               | 220   |
|                        |        | foot candles (fc) | 511               | 128               | 57                | 32                | 20    |
|                        | 4000 K | lux center (lx)   | 6800              | 1700              | 756               | 425               | 272   |
|                        |        | foot candles (fc) | 632               | 158               | 70                | 39                | 25    |
|                        | 5600 K | lux center (lx)   | 7750              | 1938              | 861               | 484               | 310   |
|                        |        | foot candles (fc) | 720               | 180               | 80                | 45                | 29    |
|                        |        | diameter (cm)     | 280               | 560               | 839               | 1119              | 1399  |
|                        |        | diameter (ft)     | 9.18              | 18.36             | 27.54             | 36.72             | 45.90 |

### FEATURES



### OPTIONALS

### CERTIFICATIONS



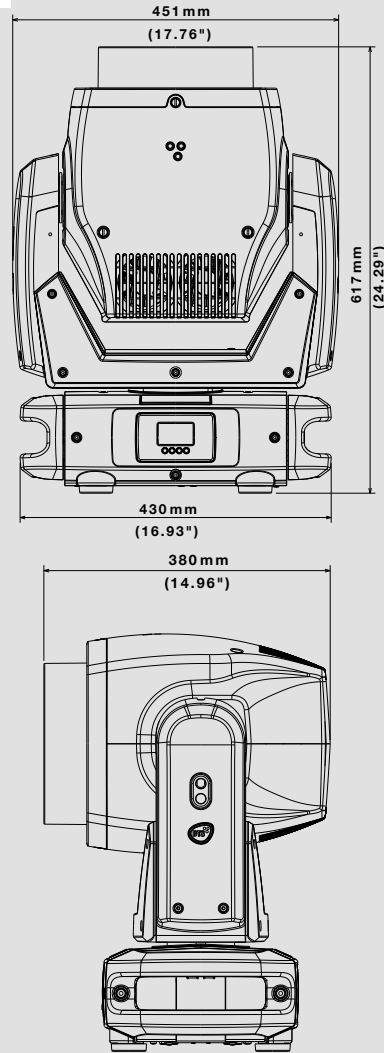
### CODE

03.MW012

# ALCHEMY 5



## THE NEW-GENERATION FRESNEL LED WASH LIGHT



### TECHNICAL DATA

#### OUTPUT

- Multi-chip LED source
- LED source: 400 W
- Lumens output: 10,800
- CRI: up to 98
- TLCI: up to 96
- LED lifespan: 20,000 hours (70% lumen output)

#### OPTICAL GROUP

- 10° - 47° linear zoom
- Ø 250 mm Fresnel lens
- Beam shaper (2x1 ratio) with endless rotation; indexable
- 2 frost filters (soft and heavy) insertable via DMX
- Retractable 'top hat'

#### COLOR & WHITE GENERATION

- 6-color LED engine
- Linear CCT (1800 K - 10000 K)
- Linear 'Green saturation'
- 100 gel filters emulation:
  - Linear crossfade from gel filters emulation to CCT whites
  - Linear crossfade between emulated gel filters
  - True color of gel filters emulation at any CCT values
- "Raw" RGBACL color-mixing in 'Advanced' mode
- Deep blue and Deep red filters (DMX-selectable)

#### DIMMER

- Hi-Q Dimming technology
- Tungsten Emulation function

#### CONTROL

- LCD graphic display + 4 soft-keys; ("auto-flip" and "key-lock" function available)
- Art-Net 4, sACN, RDM/DMX 512 protocols
- 'Standard' and 'Silent' operation modes
  - Noise level at Silent mode: 37dBA @ 1m (normal operation, full power)

- Firmware updatable via DTS firmware uploader dongle
- "Li-Fe" backup battery allows the use of the unit's on-board display when it is not powered, besides ensuring a safe return and blockage of the top hat during shut down

#### DMX

- 5 DMX modes:
  - 1. CCT (default)
  - 2. Advanced
  - 3. Basic
  - 4. Expo
  - 5. CMY Emulation

#### PAN & TILT

- Pan 540° : 3.8 s
- Tilt 220° : 2.1 s
- 16-bit resolution
- Pan / Tilt lock

#### POWER SUPPLY

- Electronic Wide-range 100/277 Vac 50-60 Hz
- Power consumption: 450 W max
- Power Factor: PF >0.90

#### CONNECTIONS

- DMX: XLR 3-pole and 5-pole In/Out panel connectors
- Power supply: PowerCON TRUE1 In/Out panel connectors
- Art-Net / sACN: etherCON RJ45 panel connector

#### CIRCUITS PROTECTION

- Overvoltage and overtemperature circuits protection

#### OPERATING TEMPERATURE

-10° / 45° C

#### PHYSICAL

- IP20
- Weight: 26.5 Kg (58.0 lbs)
- Finishing: Black

### ACCESSORIES INCLUDED

- 1 x PowerCON TRUE1 female cable connector (code 0520P066)
- 2 x Omega bracket with "Fast Lock" connection 1/4 turn (code 02K00549)
- 1 x Alchemy 5 EZ-shell 560 x 490 x 670 mm - 2 pcs needed in each flightcase (0512K152.1)

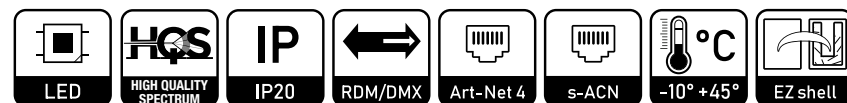
### ACCESSORIES ON REQUEST

- Aliscaf clamp for tube diameter 48-51 mm - max. load. 200 Kg (code 0521A033)
- G-QUICK clamp Professional - max. load 100 Kg (code 0521A037)
- Flightcase for 2 units (code 0521C078)
- Outdoor DMX cable 2 x 0,25 mm<sup>2</sup> - Flame retardant (code 0509C158)
- Safety cable 5 x 600 mm - max capacity load 60 Kg (code 0521A038)
- DTS firmware uploader dongle (code 03.LA.206)

### PHOTOMETRIC DATA

|                        |               | mt 5<br>ft 16.40  | mt 10<br>ft 32.81 | mt 15<br>ft 49.21 | mt 20<br>ft 65.62 | mt 25<br>ft 82.02 |       |
|------------------------|---------------|-------------------|-------------------|-------------------|-------------------|-------------------|-------|
| BEAM ANGLE 10° - @ 50% | <b>3200 K</b> | lux center (lx)   | 7000              | 1750              | 778               | 438               | 280   |
|                        |               | foot candles (fc) | 651               | 163               | 72                | 41                | 26    |
|                        | <b>4000 K</b> | lux center (lx)   | 8875              | 2219              | 986               | 555               | 355   |
|                        |               | foot candles (fc) | 825               | 206               | 92                | 52                | 33    |
|                        | <b>5600 K</b> | lux center (lx)   | 10100             | 2525              | 1122              | 631               | 404   |
|                        |               | foot candles (fc) | 939               | 235               | 104               | 59                | 38    |
|                        |               | diameter (cm)     | 87                | 175               | 262               | 350               | 437   |
|                        |               | diameter (ft)     | 2.87              | 5.74              | 8.61              | 11.48             | 14.35 |
|                        |               | mt 3<br>ft 9.84   | mt 6<br>ft 19.68  | mt 9<br>ft 29.53  | mt 12<br>ft 39.37 | mt 15<br>ft 49.21 |       |
| BEAM ANGLE 47° - @ 10% | <b>3200 K</b> | lux center (lx)   | 1500              | 375               | 167               | 94                | 60    |
|                        |               | foot candles (fc) | 139               | 35                | 15                | 9                 | 6     |
|                        | <b>4000 K</b> | lux center (lx)   | 1720              | 430               | 191               | 108               | 69    |
|                        |               | foot candles (fc) | 160               | 40                | 18                | 10                | 6     |
|                        | <b>5600 K</b> | lux center (lx)   | 1967              | 492               | 219               | 123               | 79    |
|                        |               | foot candles (fc) | 183               | 46                | 20                | 11                | 7     |
|                        |               | diameter (cm)     | 261               | 522               | 783               | 1044              | 1304  |
|                        |               | diameter (ft)     | 8.56              | 17.12             | 25.68             | 34.24             | 42.80 |

### FEATURES



### OPTIONALS

### CERTIFICATIONS



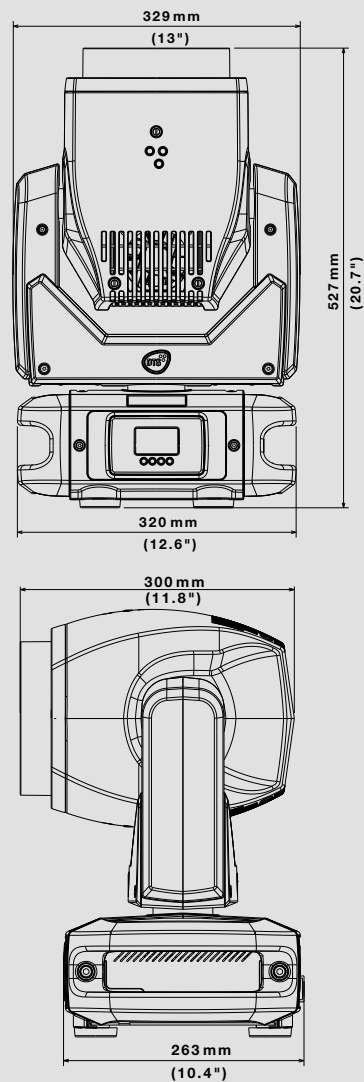
### CODE

03.MW009

# ALCHEMY 3



## THE NEW-GENERATION FRESNEL LED WASH LIGHT



### TECHNICAL DATA

#### OUTPUT

- Multi-chip LED source
- Lumens output: 6,600
- CRI: up to 98
- TLCI: up to 96
- LED lifespan: 20,000 hours (70% lumen output)

#### OPTICAL GROUP

- 14.1° - 45.2° linear zoom
- Ø 175 mm Fresnel lens
- Beam shaper (2x1 ratio) with endless rotation; indexable
- Heavy frost filter insertable via DMX
- Retractable 'top hat'

#### COLOR & WHITE GENERATION

- 6-color LED engine
- Linear CCT (1800 K - 10000 K)
- Linear 'Green saturation'
- 100 gel filters emulation:
  - Linear crossfade from gel filters emulation to CCT whites
  - Linear crossfade between emulated gel filters
  - True color of gel filters emulation at any CCT values
- "Raw" RGBACL color-mixing in Advanced mode
- Deep blue and Deep red filters (DMX-selectable)

#### DIMMER

- Hi-Q Dimming technology
- Tungsten Emulation function

#### CONTROL

- LCD graphic display + 4 soft-keys; ("auto-flip" and "key-lock" function available)
- RDM / DMX 512 protocols
- Art-Net 4, sACN protocols available on request
- Wireless DMX available on request
- 'Standard' and 'Silent' operation modes

- Firmware updatable via DTS firmware uploader dongle
- "Li-Fe" backup battery allows the use of the unit's on-board display when it is not powered, besides ensuring a safe return and blockage of the top hat during shut down

#### DMX

- 5 DMX modes:
  - 1. CCT (default)
  - 2. Advanced
  - 3. Basic
  - 4. Expo
  - 5. CMY Emulation

#### PAN & TILT

- Pan 540° : 1.8 s
- Tilt 215° : 1.1 s
- 16-bit resolution

#### POWER SUPPLY

- Electronic Wide-range 100/240 Vac 50-60 Hz
- Power consumption: 300 W max
- Power Factor: PF >0.94

#### CONNECTIONS

- DMX: XLR 3-pole and 5-pole In/Out panel connectors
- Power supply: PowerCON TRUE1 In/Out panel connectors

#### CIRCUITS PROTECTION

- Overvoltage and overtemperature circuits protection

#### OPERATING TEMPERATURE

-10° / 40° C

#### PHYSICAL

- IP20
- Weight: 15.5 Kg (34 lbs)
- Finishing: Black

### ACCESSORIES INCLUDED

- 1 x PowerCON TRUE1 female cable connector (code 0520P066)
- 1 x Omega bracket with "Fast Lock" connection 1/4 turn (code 02K00467)

### ACCESSORIES ON REQUEST

- Lumen Radio Wireless DMX TX-RX interface kit (code 03.LA.241)
- Aliscraf clamp for tube diameter 48-51 mm - max. load. 200 Kg (code 0521A033)
- G-QUICK clamp Professional - max. load 100 Kg (code 0521A037)
- Outdoor DMX cable 2 x 0,25 mm² - Flame retardant (code 0509C158)
- Safety cable 3 x 600 mm - Max load 30 Kg (code 0521A010)
- DTS firmware uploader dongle (code 03.LA.206)

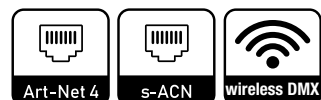
### PHOTOMETRIC DATA

|                          |        | mt 5<br>ft 16.40  | mt 10<br>ft 32.81 | mt 15<br>ft 49.21 | mt 20<br>ft 65.62 | mt 25<br>ft 82.02 |       |
|--------------------------|--------|-------------------|-------------------|-------------------|-------------------|-------------------|-------|
| BEAM ANGLE 14.1° - @ 50% | 3200 K | lux center (lx)   | 1937              | 484               | 215               | 121               | 77    |
|                          |        | foot candles (fc) | 180               | 45                | 20                | 11                | 7     |
|                          | 4000 K | lux center (lx)   | 2412              | 603               | 268               | 151               | 96    |
|                          |        | foot candles (fc) | 224               | 56                | 25                | 14                | 9     |
|                          | 5600 K | lux center (lx)   | 3420              | 855               | 380               | 214               | 137   |
|                          |        | foot candles (fc) | 318               | 79                | 35                | 20                | 13    |
|                          |        | diameter (cm)     | 124               | 247               | 371               | 495               | 618   |
|                          |        | diameter (ft)     | 4.06              | 8.11              | 12.17             | 16.23             | 20.29 |
|                          |        | mt 3<br>ft 9.84   | mt 6<br>ft 19.68  | mt 9<br>ft 29.53  | mt 12<br>ft 39.37 | mt 15<br>ft 49.21 |       |
| BEAM ANGLE 45.2° - @ 10% | 3200 K | lux center (lx)   | 1679              | 420               | 187               | 105               | 67    |
|                          |        | foot candles (fc) | 156               | 39                | 17                | 10                | 6     |
|                          | 4000 K | lux center (lx)   | 2146              | 537               | 238               | 134               | 86    |
|                          |        | foot candles (fc) | 199               | 50                | 22                | 12                | 8     |
|                          | 5600 K | lux center (lx)   | 2950              | 738               | 328               | 184               | 118   |
|                          |        | foot candles (fc) | 274               | 69                | 30                | 17                | 11    |
|                          |        | diameter (cm)     | 250               | 500               | 749               | 999               | 1249  |
|                          |        | diameter (ft)     | 8.19              | 16.39             | 24.58             | 32.78             | 40.97 |

### FEATURES



### OPTIONALS



### CERTIFICATIONS



### CODE

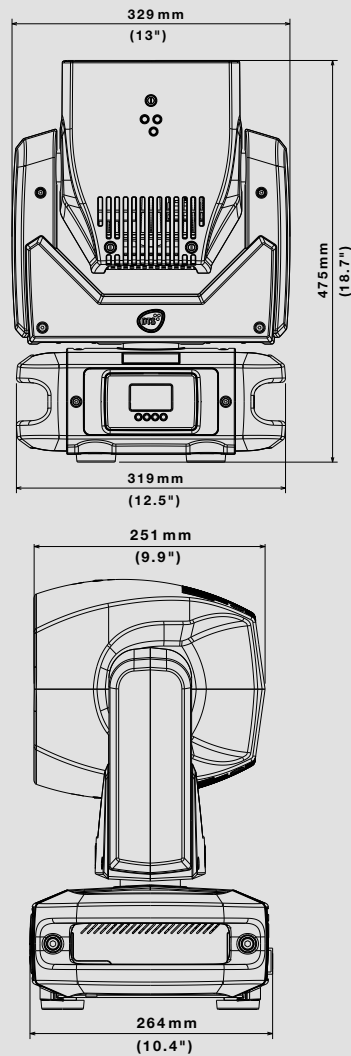
03.MW010



# EUPHONY 3



THE COMPACT LED WASH LIGHT  
FEATURING A WIDE ZOOM AND  
HIGH-EFFICIENCY OPTICAL SYSTEM



## TECHNICAL DATA

### OUTPUT

- 7 x 60 W Full Color (RGBW) LEDs
- Lumens output: 7,500
- LED lifespan: 50,000 hours (70% lumen output)

### OPTICAL GROUP

- 5.6° - 69° linear motorized zoom with high-efficiency optical system
- Soft frost filter included
- Uniform projection on surfaces, from very wide Wash to PC Beam

### COLOR GENERATION

- 16 million colors
- Wide palette of pure uniform whites
- Variable linear color temperature (2700 K - 8000 K)
- 16 gel filter emulations by 'Standard' DMX mode

### DIMMER

- Hi-Q Dimming technology

### CONTROL

- LCD graphic display + 4 soft-keys; ("auto-flip" and "key-lock" function available)
- RDM / DMX 512 protocols
- Wireless DMX available on request
- 'Standard' and 'Silent' operation modes
- Firmware updatable via DTS firmware uploader dongle
- Li-Fe backup battery for controlling the display settings even when the unit is not powered

### DMX

- 2 DMX modes:
  - 1. Standard - 18 channels (default)
  - 2. Compatibility - 20 channels

### PAN & TILT

- Pan 540° : 1.8 s
- Tilt 215° : 1 s
- 16-bit resolution

### POWER SUPPLY

- Electronic Wide-range 100-240 Vac 50-60 Hz
- Power consumption: 420 W max
- Power Factor: PF >0.94

### CONNECTIONS

- DMX: XLR 3-pole and 5-pole In/Out panel connectors
- Power supply: PowerCON TRUE1 In/Out panel connectors

### CIRCUITS PROTECTION

- Overvoltage and overtemperature circuits protection

### OPERATING TEMPERATURE

-10° / 40° C

### PHYSICAL

- IP20
- Weight: 14 Kg (30.9 lbs)
- Finishing: Black

## ACCESSORIES INCLUDED

- 1 x PowerCON TRUE1 female cable connector (code 00520P066)
- 1 x Omega bracket with "Fast Lock" connection 1/4 turn (code 02K00467)
- 1 x Soft frost filter (code 02SK0472)

## ACCESSORIES ON REQUEST

- Lumen Radio Wireless DMX TX-RX interface kit (code 03.LA.241)
- Aliscat clamp for tube diameter 48-51 mm - max. load 200 Kg (code 0521A033)
- G-QUICK clamp Professional - max. load 100 Kg (code 0521A037)
- Outdoor DMX cable 2 x 0,25 mm² - Flame retardant (code 0509C158)
- Safety cable 3 x 600 mm - Max load 30 Kg (code 0521A010)
- DTS firmware uploader dongle (code 03.LA.206)

## PHOTOMETRIC DATA

|               |                   | mt 5<br>ft 16.40 | mt 10<br>ft 32.81 | mt 15<br>ft 49.21 | mt 20<br>ft 65.62 | mt 25<br>ft 82.02 |
|---------------|-------------------|------------------|-------------------|-------------------|-------------------|-------------------|
| RED           | lux center (lx)   | 3442             | 861               | 382               | 215               | 138               |
|               | foot candles (fc) | 320              | 80                | 36                | 20                | 13                |
| GREEN         | lux center (lx)   | 6170             | 1543              | 686               | 386               | 247               |
|               | foot candles (fc) | 573              | 143               | 64                | 36                | 23                |
| BLUE          | lux center (lx)   | 1424             | 356               | 158               | 89                | 57                |
|               | foot candles (fc) | 132              | 33                | 15                | 8                 | 5                 |
| WHITE         | lux center (lx)   | 9501             | 2375              | 1056              | 594               | 380               |
|               | foot candles (fc) | 883              | 221               | 98                | 55                | 35                |
| FULL RGBW     | lux center (lx)   | 16600            | 4150              | 1844              | 1038              | 664               |
|               | foot candles (fc) | 1543             | 386               | 171               | 96                | 62                |
| diameter (cm) |                   | 49               | 98                | 147               | 196               | 245               |
| diameter (ft) |                   | 1.60             | 3.21              | 4.81              | 6.42              | 8.02              |

|               |                   | mt 3<br>ft 9.84 | mt 6<br>ft 19.68 | mt 9<br>ft 29.53 | mt 12<br>ft 39.37 | mt 15<br>ft 49.21 |
|---------------|-------------------|-----------------|------------------|------------------|-------------------|-------------------|
| RED           | lux center (lx)   | 229             | 57               | 25               | 14                | 9                 |
|               | foot candles (fc) | 21              | 5                | 2                | 1                 | 1                 |
| GREEN         | lux center (lx)   | 456             | 114              | 51               | 29                | 18                |
|               | foot candles (fc) | 42              | 11               | 5                | 3                 | 2                 |
| BLUE          | lux center (lx)   | 101             | 25               | 11               | 6                 | 4                 |
|               | foot candles (fc) | 9               | 2                | 1                | 1                 | 1                 |
| WHITE         | lux center (lx)   | 694             | 174              | 77               | 43                | 28                |
|               | foot candles (fc) | 64              | 16               | 7                | 4                 | 3                 |
| FULL RGBW     | lux center (lx)   | 1213            | 303              | 135              | 76                | 49                |
|               | foot candles (fc) | 113             | 28               | 13               | 7                 | 5                 |
| diameter (cm) |                   | 412             | 825              | 1237             | 1649              | 2062              |
| diameter (ft) |                   | 13.53           | 27.06            | 40.59            | 54.12             | 67.64             |

## FEATURES



## OPTIONALS



## CERTIFICATIONS



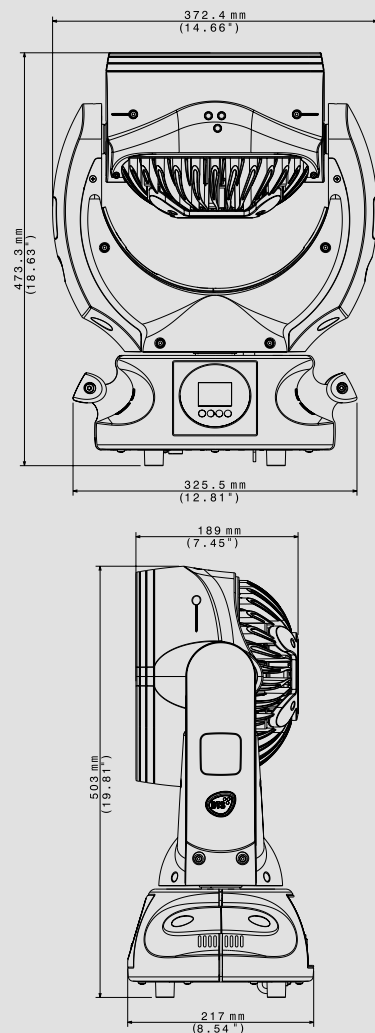
## CODE

03.LDR020.F

# NICK NRG 1401



## THE CREATIVE BEAM/WASH LIGHT WITH SINGLE PIXEL CONTROL



### TECHNICAL DATA

#### OUTPUT

- 23 x 20 W Full Color (RGBW) LEDs
- Lumens source: 11,500
- Pixel to pixel control
- LED lifespan: 50,000 hours (70% lumen output)

#### OPTICAL GROUP

- 4°- 52° linear motorized zoom with efficiency optical system
- 27,000 Lux @ 5 m
- Uniform projection on surfaces, from very wide Wash to PC Beam

#### COLOR GENERATION

- 16 million colors
- Wide palette of pure uniform whites
- Variable linear color temperature (2700 K – 8000 K)

#### CONTROL

- Multi-function OLED graphic color display + 4 soft-keys (control / management / monitoring of the main parameters)
- RDM / DMX 512 protocols
- Firmware updatable via DTS firmware uploader dongle

#### DMX

- 4 DMX modes:
  - 33 DMX channels (default)
  - 111 DMX channels
  - 31 DMX channels
  - 20 DMX channels

#### PAN & TILT

- 'FPR' system (DTS patent)
- Pan: limitless rotation, in both directions
- Tilt 258° : 1.1 s
- 16-bit resolution

#### POWER SUPPLY

- Electronic Wide-range 100-240 Vac 50-60 Hz
- Power consumption: 390 W max
- Power Factor: PF >0.95

#### CONNECTIONS

- DMX: XLR 3-pole and 5-pole In/Out panel connectors
- Power supply: PowerCON In/Out panel connectors

#### CIRCUITS PROTECTION

- Overvoltage and overtemperature circuits protection

#### OPERATING TEMPERATURE

-10° / 40° C

#### PHYSICAL

- IP20
- Weight: 13 Kg (28.7 lbs)
- Finishing: Black

### ACCESSORIES INCLUDED

- 1 x PowerCON female cable connector (code 0520P014)
- 1 x XLR 5 Pins female cable connector (code 0508B147)
- 1 x XLR 5 Pins male cable connector (code 0508B148)
- 1 x Omega bracket with "Fast Lock" connection 1/4 turn (code 02K00467)

### ACCESSORIES ON REQUEST

- Flightcase for 4 units (code 0521C059.1)
- Aliscaf clamp for tube diameter 48-51 mm - max. load. 200 Kg (code 0521A033)
- G-QUICK clamp Professional - max. load 100 Kg (code 0521A037)
- Omega bracket with "Fast Lock" connection 1/4 turn (code 02K00467)
- Outdoor DMX cable 2 x 0,25 mm<sup>2</sup> - Flame retardant (code 0509C158)
- Safety cable - 3 x 600 mm - max. capacity load 30 Kg (code 0521A010)
- DTS firmware uploader dongle (code 03.LA.206)

### PHOTOMETRIC DATA

|                | mt 5<br>ft 16.40  | mt 10<br>ft 32.81 | mt 15<br>ft 49.21 | mt 20<br>ft 65.62 | mt 25<br>ft 82.02 |       |
|----------------|-------------------|-------------------|-------------------|-------------------|-------------------|-------|
| BEAM ANGLE 4°  | lux center (lx)   | 15632             | 3908              | 1737              | 977               | 625   |
|                | foot candles (fc) | 1453              | 363               | 161               | 91                | 58    |
|                | diameter (cm)     | 35                | 70                | 105               | 140               | 175   |
|                | diameter (ft)     | 1.15              | 2.29              | 3.44              | 4.58              | 5.73  |
| BEAM ANGLE 52° | lux center (lx)   | 640               | 160               | 71                | 40                | 26    |
|                | foot candles (fc) | 59                | 15                | 7                 | 4                 | 2     |
|                | diameter (cm)     | 488               | 975               | 1463              | 1951              | 2439  |
|                | diameter (ft)     | 16.00             | 32.00             | 48.00             | 64.01             | 80.01 |

### FEATURES



### OPTIONALS

### CERTIFICATIONS



### CODE

03.LDR015.FFP

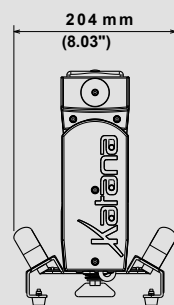
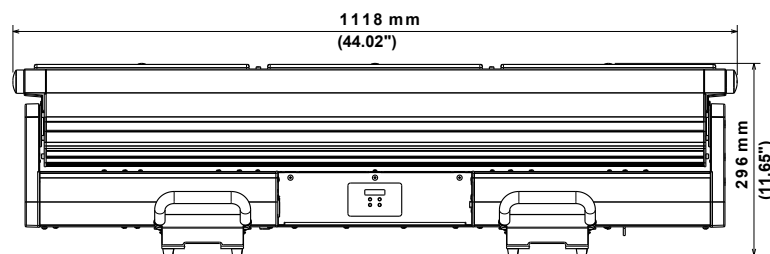


LED BARS

# KATANA



THE BLADE OF LIGHT FEATURING  
WIDE LINEAR ZOOM, SINGLE PIXEL  
CONTROL AND SUPER FAST TILT



## TECHNICAL DATA

### OUTPUT

- 12 x 20 W Full Color (RGBW) LEDs:
  - Pixel to pixel control
  - Lumen 9,600

### OPTICAL GROUP

- Linear motorized zoom 3.5° ('blade' mode) - 30°

### COLOR GENERATION

- 16 million colors
- Wide palette of pure uniform whites with variable linear color temperature (2700K - 8000 K)

### TILT

- Motorized Tilt 184°: 1 s
- 16-bit movement resolution

### CONTROL

- Multi-function 4-digit 7-segment LED display + 4 soft keys
- Controlled via DMX 512 and RDM standard digital communication protocols
- Firmware updatable via DTS firmware uploader dongle

### DMX

- 24 DMX channels (default)
- 64 DMX channels
- 16 DMX channels

### POWER SUPPLY

- Electronic Wide-range 100-240Vac 50/60 Hz;
- Power consumption: 300 W max
- Power Factor: PF >0.95

### CONNECTIONS

- Power supply: PowerCON TRUE1 In/Out panel connectors
- DMX: XLR 5-pole In/Out panel connectors

### CIRCUITS PROTECTION

- Overvoltage and overtemperature circuits protection

### OPERATING TEMPERATURE

-10° / 40° C

### PHYSICAL

- IP20
- Weight: 19.5 Kg (43 lbs)
- Finishing: Black

## ACCESSORIES INCLUDED

- 1 x PowerCON TRUE1 female cable connector (code 0520P066)
- 1 x PowerCON TRUE1 male cable connector (code 0520P067)
- 1 x XLR 5 pins female cable connector (code 0508B147)
- 1 x XLR 5 pins male cable connector (code 0508B148)
- 2 x Omega bracket with "Fast Lock" connection 1/4 turn (code 02K00467)
- 2 x Bracket for ground installation with handles and rubber feet - already mounted on the unit (code 02SK0296)

## ACCESSORIES ON REQUEST

- Flightcase for 3 units (code 0521C066)
- Aliscaf clamp for tube diameter 48-51 mm - max. load. 200 Kg (code 0521A033)
- G-QUICK clamp Professional - max. load 100 Kg (code 0521A037)
- Outdoor DMX cable 2 x 0,25 mm<sup>2</sup> - Flame retardant (code 0509C158)
- Safety cable - 3 x 600 mm - max. capacity load 30 Kg (code 0521A010)
- DTS firmware uploader dongle (code 03.LA.206)

## PHOTOMETRIC DATA

|                 |           | MINIMUM ZOOM      | mt 5<br>ft 16.40 | mt 10<br>ft 32.81 | mt 15<br>ft 49.21 | mt 20<br>ft 65.62 | mt 25<br>ft 82.02 |
|-----------------|-----------|-------------------|------------------|-------------------|-------------------|-------------------|-------------------|
| BEAM ANGLE 3°   | FULL RGBW | lux center (lx)   | 6800             | 1700              | 756               | 425               | 272               |
|                 |           | foot candles (fc) | 632              | 158               | 70                | 39                | 25                |
| BEAM ANGLE 3.5° | X-axis    | diameter (cm)     | 25               | 51                | 76                | 101               | 127               |
|                 |           | diameter (ft)     | 0,83             | 1,66              | 2,49              | 3,32              | 4,25              |
| BEAM ANGLE 3.5° | Y-axis    | diameter (cm)     | 31               | 61                | 92                | 122               | 153               |
|                 |           | diameter (ft)     | 1.00             | 2.00              | 3.01              | 4.01              | 5.01              |

|                |           | MAXIMUM ZOOM      | mt 5<br>ft 16.40 | mt 10<br>ft 32.81 | mt 15<br>ft 49.21 | mt 20<br>ft 65.62 | mt 25<br>ft 82.02 |
|----------------|-----------|-------------------|------------------|-------------------|-------------------|-------------------|-------------------|
| BEAM ANGLE 25° | FULL RGBW | lux center (lx)   | 1650             | 413               | 183               | 103               | 66                |
|                |           | foot candles (fc) | 153              | 38                | 17                | 10                | 6                 |
| BEAM ANGLE 30° | X-axis    | diameter (cm)     | 222              | 443               | 665               | 887               | 1108              |
|                |           | diameter (ft)     | 7,27             | 14,55             | 21,82             | 29,09             | 36,37             |
| BEAM ANGLE 30° | Y-axis    | diameter (cm)     | 268              | 536               | 804               | 1072              | 1340              |
|                |           | diameter (ft)     | 8.79             | 17.58             | 26.37             | 35.16             | 43.95             |

## FEATURES



## OPTIONALS

## CERTIFICATIONS



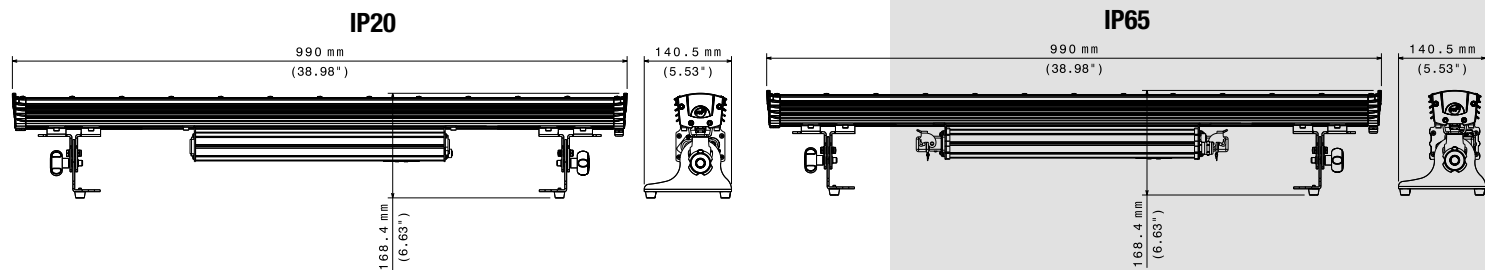
## CODE

**03.LDR016.F**

# FOS 100 DYNAMIC SOLO FC



LED BAR WITH SINGLE PIXEL CONTROL TO CREATE ENDLESS VARIETY OF DYNAMIC EFFECTS



## FEATURES



## OPTIONALS

## CERTIFICATIONS



## CODES

- IP20-RATED - WHILE SUPPLIES LAST**  
 SP LENSES 10° - 03.DYN008S.F10  
 MF LENSES 25° - 03.DYN008S.F25  
 WF LENSES 40° - 03.DYN008S.F40
- IP65-RATED - - WHILE SUPPLIES LAST**  
 SP LENSES 10° - 03.DYN007S.F10  
 MF LENSES 25° - 03.DYN007S.F25  
 WF LENSES 40° - 03.DYN007S.F40

## TECHNICAL DATA

- OUTPUT**
- 15 Full Color (RGBW) LEDs:
  - Pixel to pixel control
  - Lumen source 4,608 @ 500mA
  - LED lifespan: 50,000 hours (70% lumen output)

- OPTICAL GROUP**
- 3 lenses sets available: 10° / 25° / 40°
  - Holographic filters available on request
  - Uniform projection on surfaces

- COLOR GENERATION**
- 16 million colors
  - Wide palette of pure uniform whites
  - Variable linear color temperature (2700 K – 8000 K)

- CONTROL**
- Multi-function 4-digit 7-segment LED display + 4 soft keys
  - RDM / DMX 512 protocols
  - Firmware updatable via DTS firmware uploader dongle

- DMX**
- 10 DMX channels (default)

- POWER SUPPLY**
- Integrated Wide-range PSU 100-240Vac 50-60 Hz;
  - Power consumption: 150 W max
  - Power Factor: PF >0.95

- CONNECTIONS**
- IP20-rated PSU
    - PowerCON In/Out panel connectors
    - XLR 5 pins In/Out panel connectors
  - IP65-rated PSU
    - Power IN cable; Power OUT Harting panel connector
    - DMX In/Out Harting panel connectors

- OPERATING TEMPERATURE**
- 10° / 40° C

- PHYSICAL**
- IP20 or IP65
  - Housing: Aluminium
  - Weight
    - IP20 rated: 7.1 Kg (15.7 lbs)
    - IP65 rated: 7.5 Kg (16.5 lbs)
  - Finishing: Black

## ACCESSORIES INCLUDED

- 1 x Fit joint for joining bars inline (code 02M09519.46)
- 2 x M4 knob for fit joint (code 0511P014)
- ONLY FOR IP20-RATED**
- 1 x PowerCON IN female cable connector (code 0520P014)
- 1 x PowerCON OUT female cable connector (code 0520P029)
- 1 x XLR 5 Pins female cable connector (code 0508B027)
- 1 x XLR 5 Pins male cable connector (code 0508B028)
- ONLY FOR IP65-RATED**
- 1 x HARTING 5 pins male connector (code 02LD0093.1)
- 2 x HARTING 4 pins male connector (code 02LD0032)

## ACCESSORIES ON REQUEST

- Lenses set Narrow 10° (code 03.LK.060.N)
- Lenses set Medium 25° (code 03.LK.061.N)
- Lenses set Wide 40° (code 03.LK.062.N)
- Barndoor and Holographic Filter holder (code 03.LA.142)
- Holographic Filter (complete list in the accessories section)
- Kit Fit joint for joining bars inline - includes 1 x 02M09519.46 and 2 x 0511P014 (code 03.LA.023)
- Line joining truss kit (code 02SK0382)
- Fast-lock bracket kit (code 03.LA.024)
- Short bracket for wall installation (code 03.LA.025)
- Single-side light shield (code 02M09594.46)
- Omega bracket with "Fast Lock" connection 1/4 turn (code 02K00467)
- G-QUICK clamp Professional - max. capacity load 100 Kg (code 0521A037)
- Universal Hook Clamp - Max load 40 Kg - 88 lbs (code 0521A047)
- Safety cable - 3 x 600 mm - max. capacity load 30 Kg (code 0521A010)
- Outdoor DMX cable 2 x 0,25 mm² - Flame retardant (code 0509C158)
- Flightcase for 4 units (code 0521C069)
- DTS firmware uploader dongle (code 03.LA.206)
- ONLY FOR IP65-RATED**
- Permanent Installation kit IP68 2 POWER + 2 DMX (code 03.LA.216)

## PHOTOMETRIC DATA

|                | mt 3<br>ft 9.84   | mt 6<br>ft 19.68 | mt 9<br>ft 29.53 | mt 12<br>ft 39.37 | mt 15<br>ft 49.21 |      |
|----------------|-------------------|------------------|------------------|-------------------|-------------------|------|
| BEAM ANGLE 10° | lux center (lx)   | 3687             | 922              | 410               | 230               | 147  |
|                | foot candles (fc) | 343              | 86               | 38                | 21                | 14   |
|                | diameter (cm)     | 52               | 105              | 157               | 210               | 262  |
|                | diameter (ft)     | 1.72             | 3.44             | 5.17              | 6.89              | 8.61 |

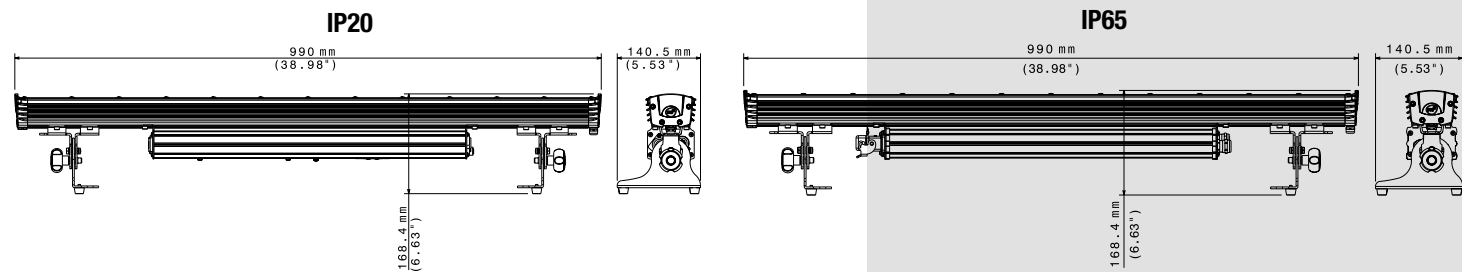
|                | mt 3<br>ft 9.84   | mt 6<br>ft 19.68 | mt 9<br>ft 29.53 | mt 12<br>ft 39.37 | mt 15<br>ft 49.21 |       |
|----------------|-------------------|------------------|------------------|-------------------|-------------------|-------|
| BEAM ANGLE 25° | lux center (lx)   | 1402             | 351              | 156               | 88                | 56    |
|                | foot candles (fc) | 130              | 33               | 14                | 8                 | 5     |
|                | diameter (cm)     | 133              | 266              | 399               | 532               | 665   |
|                | diameter (ft)     | 4.36             | 8.73             | 13.09             | 17.46             | 21.82 |

|                | mt 3<br>ft 9.84   | mt 6<br>ft 19.68 | mt 9<br>ft 29.53 | mt 12<br>ft 39.37 | mt 15<br>ft 49.21 |       |
|----------------|-------------------|------------------|------------------|-------------------|-------------------|-------|
| BEAM ANGLE 40° | lux center (lx)   | 950              | 238              | 106               | 59                | 38    |
|                | foot candles (fc) | 88               | 22               | 10                | 6                 | 4     |
|                | diameter (cm)     | 218              | 437              | 655               | 874               | 1092  |
|                | diameter (ft)     | 7.16             | 14.33            | 21.49             | 28.66             | 35.82 |

# FOS 100 POWER SOLO FC



THE BAR WITH A LARGE CHOICE OF PROJECTION ANGLES AND INTEGRATED PSU



## TECHNICAL DATA

### OUTPUT

- 24 Full Color (RGBW) LEDs;
- Lumen source 8,864
- LED lifespan: 50,000 hours (70% lumen output)

### OPTICAL GROUP

- 3 lenses sets available: 10° / 25° / 40°
- Holographic filters available on request
- Uniform projection on surfaces

### COLOR GENERATION

- 16 million colors
- Wide palette of pure uniform whites
- Variable linear color temperature (2700 K – 8000 K)

### CONTROL

- Multi-function 4-digit 7-segment LED display + 4 soft keys
- RDM / DMX 512 protocols
- Firmware updatable via DTS firmware uploader dongle

### DMX

- 10 DMX channels (default)

### POWER SUPPLY

- Integrated Wide-range PSU 100-240Vac 50-60 Hz;
- Power consumption: 200 W max
- Power Factor: PF >0.95

### CONNECTIONS

- IP20-rated PSU
  - PowerCON In/Out panel connectors
  - XLR 5 pins In/Out panel connectors
- IP65-rated PSU
  - Power IN cable; Power OUT Harting panel connector
  - DMX In/Out cables with XLR 5-pole IP20 connectors

### OPERATING TEMPERATURE

- 10° / 40° C

### PHYSICAL

- IP20 or IP65
- Housing: Aluminium
- Weight
  - IP20 rated: 7.3 Kg (16.1 lbs)
  - IP65 rated: 7.9 Kg (17.4 lbs)
- Finishing: Black

## ACCESSORIES INCLUDED

- 1 x Fit joint for joining bars inline (code 02M09519.46)
- 2 x M4 knob for fit joint (code 0511P014)
- ONLY FOR IP20-RATED**
  - 1 x PowerCON IN female cable connector (code 0520P014)
  - 1 x PowerCON OUT female cable connector (code 0520P029)
  - 1 x XLR 5 Pins female cable connector (code 0508B027)
  - 1 x XLR 5 Pins male cable connector (code 0508B028)
- ONLY FOR IP65-RATED**
  - 1 x HARTING 5 pins male cable connector (code 02K00548.1)

## ACCESSORIES ON REQUEST

- Lenses set Narrow 10° (code 03.LK.107.N)
- Lenses set Medium 25° (code 03.LK.108.N)
- Lenses set Wide 40° (code 03.LK.109.N)
- Barndoor and Holographic Filter holder (code 03.LA.142)
- Holographic Filter (complete list in the accessories section)
- Kit Fit joint for joining bars inline - includes 1 x 02M09519.46 and 2 x 0511P014 (code 03.LA.023)
- Line joining truss kit (code 02SK0382)
- Fast-lock bracket kit (code 03.LA.024)
- Short bracket for wall installation (code 03.LA.025)
- Single-side light shield (code 02M09594.46)
- Omega bracket with "Fast Lock" connection 1/4 turn (code 02K00467)
- G-QUICK clamp Professional - max. capacity load 100 Kg (code 0521A037)
- Universal Hook Clamp - Max load 40 Kg - 88 lbs (code 0521A047)
- Outdoor DMX cable 2 x 0,25 mm<sup>2</sup> - Flame retardant (code 0509C158)
- Safety cable - 3 x 600 mm - max. capacity load 30 Kg (code 0521A010)
- Flightcase for 4 units (code 0521C069)
- DTS firmware uploader dongle (code 03.LA.206)

### ONLY FOR IP65-RATED

- Permanent Installation kit IP68 2 POWER + 2 DMX (code 03.LA.216)

## PHOTOMETRIC DATA

|                | mt 3<br>ft 9.84   | mt 6<br>ft 19.68 | mt 9<br>ft 29.53 | mt 12<br>ft 39.37 | mt 15<br>ft 49.21 |      |
|----------------|-------------------|------------------|------------------|-------------------|-------------------|------|
| BEAM ANGLE 10° | lux center (lx)   | 7028             | 1757             | 781               | 439               | 147  |
|                | foot candles (fc) | 653              | 163              | 73                | 41                | 14   |
|                | diameter (cm)     | 52               | 105              | 157               | 210               | 262  |
|                | diameter (ft)     | 1.72             | 3.44             | 5.17              | 6.89              | 8.61 |

|                | mt 3<br>ft 9.84   | mt 6<br>ft 19.68 | mt 9<br>ft 29.53 | mt 12<br>ft 39.37 | mt 15<br>ft 49.21 |       |
|----------------|-------------------|------------------|------------------|-------------------|-------------------|-------|
| BEAM ANGLE 25° | lux center (lx)   | 2667             | 667              | 296               | 167               | 107   |
|                | foot candles (fc) | 248              | 62               | 28                | 15                | 10    |
|                | diameter (cm)     | 133              | 266              | 399               | 532               | 665   |
|                | diameter (ft)     | 4.36             | 8.73             | 13.09             | 17.46             | 21.82 |

|                | mt 3<br>ft 9.84   | mt 6<br>ft 19.68 | mt 9<br>ft 29.53 | mt 12<br>ft 39.37 | mt 15<br>ft 49.21 |       |
|----------------|-------------------|------------------|------------------|-------------------|-------------------|-------|
| BEAM ANGLE 40° | lux center (lx)   | 1806             | 451              | 201               | 113               | 72    |
|                | foot candles (fc) | 168              | 42               | 19                | 10                | 7     |
|                | diameter (cm)     | 218              | 437              | 655               | 874               | 1092  |
|                | diameter (ft)     | 7.16             | 14.33            | 21.49             | 28.66             | 35.82 |

## FEATURES



## OPTIONALS

## CERTIFICATIONS



## CODES

### IP20-RATED

- SP LENSES 10° - 03.LBB015S11FC10
- MF LENSES 25° - 03.LBB015S11FC25
- WF LENSES 40° - 03.LBB015S11FC40

### IP65-RATED

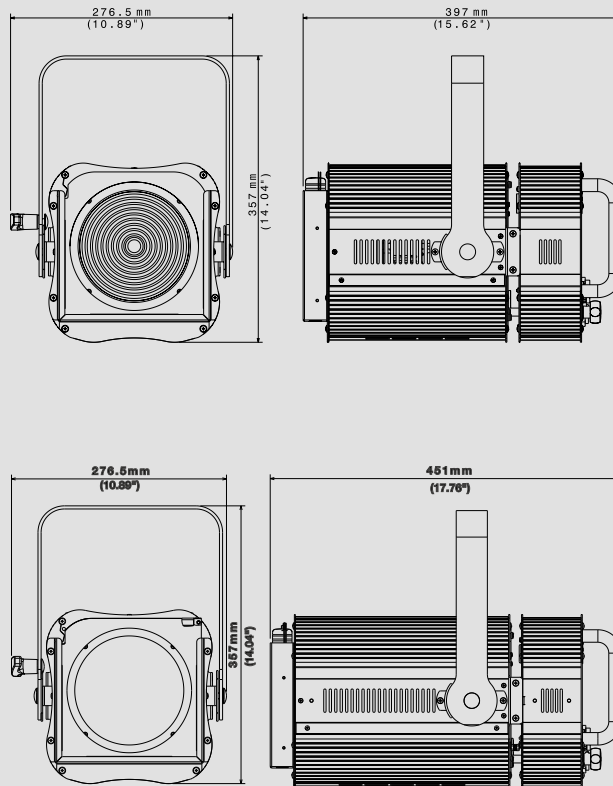
- SP LENSES 10° - 03.LBB011S11FC10
- MF LENSES 25° - 03.LBB011S11FC25
- WF LENSES 40° - 03.LBB011S11FC40



# SCENA LED 200



THE THEATRE WHITE LED PROJECTOR AVAILABLE WITH FRESNEL OR ANTIHALO LENS



## TECHNICAL DATA

### OUTPUT

- Single high-power White 3200 K LED
- Lumen output: up to 5,950
- CRI > 95
- Also available with 4000 K and 5600 K LEDs
- LED lifespan: 50,000 hours (70% lumen output)

### OPTICAL GROUP

- Ø 150 mm Fresnel lens or Antihalo (PC) lens
- Linear zoom
- 6.5° - 70° with Fresnel lens
- 6.4° - 64° with PC lens

### CONTROL

- DMX 512 / RDM or Manual control
- Multi-function 4-digit 7-segment LED display + 4 soft keys
- Firmware updatable via DTS firmware uploader dongle

### DMX

- 4 DMX channels (default)
- 1 DMX channel
- "Fine" mode

### POWER SUPPLY

- Electronic Wide-range 100-240Vac 50-60 Hz
- Power consumption: 200 W max
- Power Factor: PF > 0.94

### CONNECTIONS

- Power supply: PowerCON TRUE1 In/Out panel connectors
- DMX: XLR 5-pole In/Out panel connectors

### CIRCUITS PROTECTION

- Overvoltage and overtemperature circuits protection

### OPERATING TEMPERATURE

-10° / 40° C

### PHYSICAL

- IP20
- Weight:
  - FR - 8.5 Kg (18.5 lbs)
  - PC - 9.5 Kg (21 lbs)
- Finishing: Black

## ACCESSORIES INCLUDED

- 1 x PowerCON TRUE1 female cable connector (code 0520P066)
- 1 x XLR 5 pins female cable connector (code 0508B147)
- 1 x XLR 5 pins male cable connector (code 0508B148)
- 1 x Filterframe Black finishing - already installed on the projector (code 02M093278.49)

## ACCESSORIES ON REQUEST

- Barndoor Black finishing (code 03.TBD04)
- Outdoor DMX cable 2 x 0,25 mm<sup>2</sup> - Flame retardant (code 0509C158)
- Flightcase for 6 units (code 0521C075)
- Universal Hook Clamp - Max load 40 Kg - 88 lbs (code 0521A047)
- Safety cable - 3 x 600 mm - max. capacity load 30 Kg (code 0521A010)
- DTS firmware uploader dongle (code 03.LA.206)

## PHOTOMETRIC DATA FRESNEL LENS

BEAM ANGLE 6.5° - @ 50%

BEAM ANGLE 70° - @ 10%

|        | BEAM ANGLE 6.5° - @ 50% |                  |                  |                  |                   | BEAM ANGLE 70° - @ 10% |                  |                  |                  |                   |       |        |
|--------|-------------------------|------------------|------------------|------------------|-------------------|------------------------|------------------|------------------|------------------|-------------------|-------|--------|
|        | mt 2<br>ft 6.56         | mt 4<br>ft 13.12 | mt 6<br>ft 19.68 | mt 8<br>ft 26.25 | mt 10<br>ft 32.81 | mt 2<br>ft 6.56        | mt 4<br>ft 13.12 | mt 6<br>ft 19.68 | mt 8<br>ft 26.25 | mt 10<br>ft 32.81 |       |        |
| 3200 K | 29375                   | 7344             | 3264             | 1836             | 1175              | lux center (lx)        | 2400             | 600              | 267              | 150               | 96    | 3200 K |
|        | 2730                    | 683              | 303              | 171              | 109               | foot candles (fc)      | 223              | 56               | 25               | 14                | 9     |        |
| 4000 K | 35663                   | 8916             | 3963             | 2229             | 1427              | lux center (lx)        | 2813             | 703              | 313              | 176               | 113   | 4000 K |
|        | 3314                    | 829              | 368              | 207              | 133               | foot candles (fc)      | 261              | 65               | 29               | 16                | 10    |        |
| 5600 K | 34788                   | 8697             | 3865             | 2174             | 1392              | lux center (lx)        | 2720             | 680              | 302              | 170               | 109   | 5600 K |
|        | 3233                    | 808              | 359              | 202              | 129               | foot candles (fc)      | 253              | 63               | 28               | 16                | 10    |        |
|        | 23                      | 45               | 68               | 91               | 114               | diameter (cm)          | 280              | 560              | 840              | 1120              | 1400  |        |
|        | 0.75                    | 1.49             | 2.24             | 2.98             | 3.73              | diameter (ft)          | 9.19             | 18.38            | 27.57            | 36.76             | 45.94 |        |

## PHOTOMETRIC DATA ANTIHALO LENS

BEAM ANGLE 6.4° - @ 50%

BEAM ANGLE 64° - @ 10%

|        | BEAM ANGLE 6.4° - @ 50% |                  |                  |                  |                   | BEAM ANGLE 64° - @ 10% |                  |                  |                  |                   |       |        |
|--------|-------------------------|------------------|------------------|------------------|-------------------|------------------------|------------------|------------------|------------------|-------------------|-------|--------|
|        | mt 2<br>ft 6.56         | mt 4<br>ft 13.12 | mt 6<br>ft 19.68 | mt 8<br>ft 26.25 | mt 10<br>ft 32.81 | mt 2<br>ft 6.56        | mt 4<br>ft 13.12 | mt 6<br>ft 19.68 | mt 8<br>ft 26.25 | mt 10<br>ft 32.81 |       |        |
| 3200 K | 34538                   | 8634             | 3838             | 2159             | 1382              | lux center (lx)        | 2119             | 530              | 235              | 132               | 85    | 3200 K |
|        | 3210                    | 802              | 357              | 201              | 128               | foot candles (fc)      | 197              | 49               | 22               | 12                | 8     |        |
| 4000 K | 48569                   | 12142            | 5397             | 3036             | 1943              | lux center (lx)        | 2856             | 714              | 317              | 179               | 114   | 4000 K |
|        | 4514                    | 1128             | 502              | 282              | 181               | foot candles (fc)      | 265              | 66               | 29               | 17                | 11    |        |
| 5600 K | 41056                   | 10264            | 4562             | 2566             | 1642              | lux center (lx)        | 2450             | 613              | 272              | 153               | 98    | 5600 K |
|        | 3816                    | 954              | 424              | 238              | 153               | foot candles (fc)      | 228              | 57               | 25               | 14                | 9     |        |
|        | 22                      | 45               | 67               | 89               | 112               | diameter (cm)          | 250              | 500              | 750              | 1000              | 1250  |        |
|        | 0.73                    | 1.47             | 2.20             | 2.93             | 3.67              | diameter (ft)          | 8.20             | 16.40            | 24.60            | 32.80             | 41.00 |        |

## FEATURES



## OPTIONALS

MOTORIZED ZOOM VERSION - ON DEMAND

## CERTIFICATIONS



## CODES

### SCENA LED 200 - FRESNEL LENS

- 3200 K - 03.TS046.46.F
- 4000 K - 03.TS048.46.F
- 5600 K - 03.TS064.46.F

### SCENA LED 200 - PC - ANTIHALO LENS

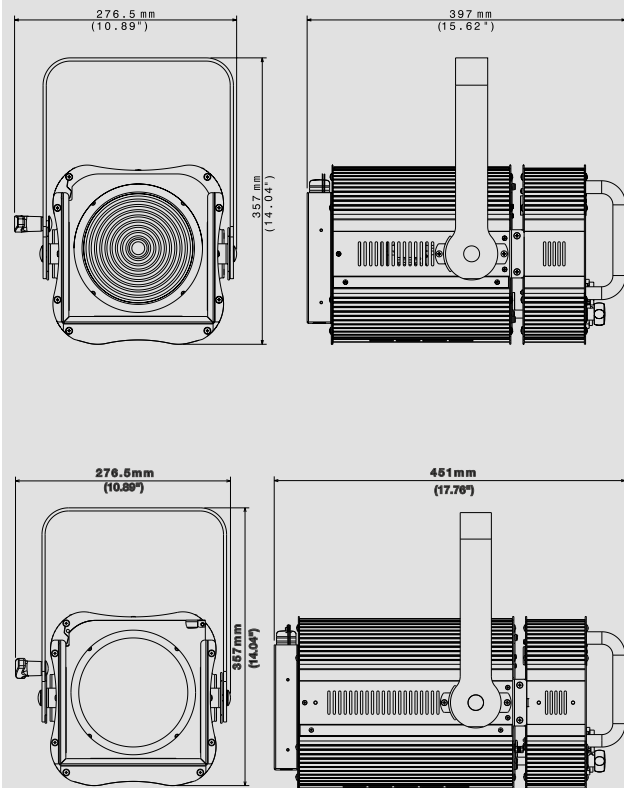
- 3200 K - 03.TS046.46.A
- 4000 K - 03.TS048.46.A
- 5600 K - 03.TS064.46.A



# SCENA LED 200 CT



## THE THEATRE LED PROJECTOR WITH SELECTABLE COLOR TEMPERATURE



### TECHNICAL DATA

#### OUTPUT

- Single high-power White with linearly tunable color temperature (2700 K - 6500 K)
- Lumen output: up to 5,613
- CRI > 90
- LED lifespan: 50,000 hours (70% lumen output)

#### OPTICAL GROUP

- Ø 150 mm Fresnel lens
- Linear zoom
- 6.5° - 70° with Fresnel lens
- 6.4° - 64° with PC lens

#### CONTROL

- DMX 512 / RDM or Manual control
- Multi-function 4-digit 7-segment LED display + 4 soft keys
- Firmware updatable via DTS firmware uploader dongle

#### DMX

- 7 DMX channels (default)
- 2 DMX channels
- "CTC" mode

#### POWER SUPPLY

- Electronic Wide-range 100-240Vac 50-60 Hz
- Power consumption: 200 W max
- Power Factor: PF > 0.94

#### CONNECTIONS

- Power supply: PowerCON TRUE1 In/Out panel connectors
- DMX: XLR 5-pole In/Out panel connectors

#### CIRCUITS PROTECTION

- Overvoltage and overtemperature circuits protection

#### OPERATING TEMPERATURE

-10° / 40° C

#### PHYSICAL

- IP20
- Weight:
  - FR - 8.6 Kg (19 lbs)
  - PC - 9.5 Kg (21 lbs)
- Finishing: Black

### ACCESSORIES INCLUDED

- 1 x PowerCON TRUE1 female cable connector (code 0520P066)
- 1 x XLR 5 pins female cable connector (code 0508B147)
- 1 x XLR 5 pins male cable connector (code 0508B148)
- 1 x Filterframe Black finishing - already installed on the projector (code 02M093278.49)

### ACCESSORIES ON REQUEST

- Barndoor Black finishing (code 03.TBD04)
- Outdoor DMX cable 2 x 0,25 mm<sup>2</sup> - Flame retardant (code 0509C158)
- Flightcase for 6 units (code 0521C075)
- Universal Hook Clamp - Max load 40 Kg - 88 lbs (code 0521A047)
- Safety cable - 3 x 600 mm - max. capacity load 30 Kg (code 0521A010)
- DTS firmware uploader dongle (code 03.LA.206)

### PHOTOMETRIC DATA FRESNEL LENS

|                          | mt 2<br>ft 6.56   | mt 4<br>ft 13.12 | mt 6<br>ft 19.68 | mt 8<br>ft 26.25 | mt 10<br>ft 32.81 |      |
|--------------------------|-------------------|------------------|------------------|------------------|-------------------|------|
| BEAM ANGLE 6.5°<br>@ 50% | lux center (lx)   | 25000            | 6250             | 2778             | 1563              | 1000 |
|                          | foot candles (fc) | 2323             | 581              | 258              | 145               | 93   |
|                          | diameter (cm)     | 23               | 45               | 68               | 91                | 114  |
|                          | diameter (ft)     | 0.75             | 1.49             | 2.24             | 2.98              | 3.73 |

|                         | mt 2<br>ft 6.56   | mt 4<br>ft 13.12 | mt 6<br>ft 19.68 | mt 8<br>ft 26.25 | mt 10<br>ft 32.81 |       |
|-------------------------|-------------------|------------------|------------------|------------------|-------------------|-------|
| BEAM ANGLE 70°<br>@ 10% | lux center (lx)   | 1888             | 472              | 210              | 118               | 76    |
|                         | foot candles (fc) | 175              | 44               | 19               | 11                | 7     |
|                         | diameter (cm)     | 280              | 560              | 840              | 1120              | 1400  |
|                         | diameter (ft)     | 9.19             | 18.38            | 27.57            | 36.76             | 45.94 |

### PHOTOMETRIC DATA ANTIHALO LENS

|                          | mt 2<br>ft 6.56   | mt 4<br>ft 13.12 | mt 6<br>ft 19.68 | mt 8<br>ft 26.25 | mt 10<br>ft 32.81 |      |
|--------------------------|-------------------|------------------|------------------|------------------|-------------------|------|
| BEAM ANGLE 6.4°<br>@ 50% | lux center (lx)   | 34538            | 8634             | 3838             | 2159              | 1382 |
|                          | foot candles (fc) | 3210             | 802              | 357              | 201               | 128  |
|                          | diameter (cm)     | 22               | 45               | 67               | 89                | 112  |
|                          | diameter (ft)     | 0.73             | 1.47             | 2.20             | 2.93              | 3.67 |

|                         | mt 2<br>ft 6.56   | mt 4<br>ft 13.12 | mt 6<br>ft 19.68 | mt 8<br>ft 26.25 | mt 10<br>ft 32.81 |       |
|-------------------------|-------------------|------------------|------------------|------------------|-------------------|-------|
| BEAM ANGLE 64°<br>@ 10% | lux center (lx)   | 2119             | 530              | 235              | 132               | 85    |
|                         | foot candles (fc) | 197              | 49               | 22               | 12                | 8     |
|                         | diameter (cm)     | 250              | 500              | 750              | 1000              | 1250  |
|                         | diameter (ft)     | 8.20             | 16.40            | 24.60            | 32.80             | 41.00 |

### FEATURES



### OPTIONALS

MOTORIZED ZOOM VERSION - ON DEMAND

### CERTIFICATIONS



### CODES

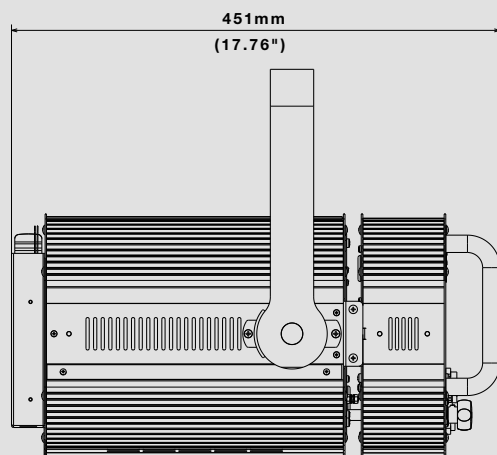
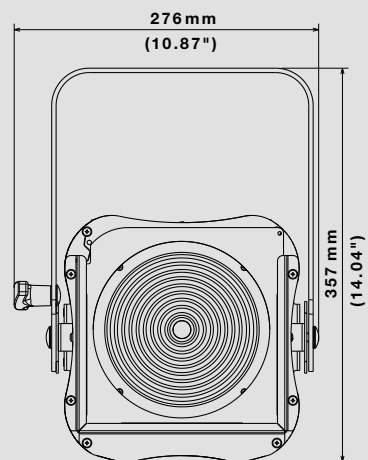
FRESNEL LENS - 03.TS051.46.F

ANTIHALO LENS - 03.TS051.46.A

# SCENA LED 200 FC



## THE THEATRE LED PROJECTOR WITH FRESNEL LENS AND COLOR MIXING



### TECHNICAL DATA

#### OUTPUT

- Single high-power 4 Color LED
- Lumen output (RGBW): up to 4,975
- Cold White CRI up to 90
- LED lifespan: 50,000 hours (70% lumen output)

#### OPTICAL GROUP

- Ø 150 mm Fresnel lens
- Zoom
- 14° - 60° manual linear zoom version
- 14° - 60° motorized linear zoom version

#### COLOR GENERATION

- 28 gel filters macros
- Wide palette of pure uniform whites
- Variable linear color temperature (2700 K – 8000 K)

#### CONTROL

- DMX 512 / RDM or Manual control
- Multi-function 4-digit 7-segment LED display + 4 soft keys
- Firmware updatable via DTS firmware uploader dongle

#### DMX

- 10 DMX channels (default)
- 4 DMX channels
- 6 DMX channels
- "Fine" mode

#### POWER SUPPLY

- Electronic Wide-range 100-240Vac 50-60 Hz
- Power consumption: 200 W max
- Power Factor: PF >0.94

#### CONNECTIONS

- Power supply: PowerCON TRUE1 In/Out panel connectors
- DMX: XLR 5-pole In/Out panel connectors

#### CIRCUITS PROTECTION

- Overvoltage and overtemperature circuits protection

#### OPERATING TEMPERATURE

-10° / 40° C

#### PHYSICAL

- IP20
- Weight: 9.4 Kg (20.7 lbs)
- Finishing: Black

### ACCESSORIES INCLUDED

- 1 x PowerCON TRUE1 female cable connector (code 0520P066)
- 1 x XLR 5 pins female cable connector (code 0508B147)
- 1 x XLR 5 pins male cable connector (code 0508B148)
- 1 x Filterframe Black finishing - already installed on the projector (code 02M093278.49)

### ACCESSORIES ON REQUEST

- Barndoor Black finishing (code 03.TBD04)
- Outdoor DMX cable 2 x 0,25 mm<sup>2</sup> - Flame retardant (code 0509C158)
- Flightcase for 6 units (code 0521C075)
- Universal Hook Clamp - Max load 40 Kg - 88 lbs (code 0521A047)
- Safety cable - 3 x 600 mm - max. capacity load 30 Kg (code 0521A010)
- DTS firmware uploader dongle (code 03.LA.206)

### PHOTOMETRIC DATA

|                         | mt 2<br>ft 6.56   | mt 4<br>ft 13.12 | mt 6<br>ft 19.68 | mt 8<br>ft 26.25 | mt 10<br>ft 32.81 |       |
|-------------------------|-------------------|------------------|------------------|------------------|-------------------|-------|
| BEAM ANGLE 14°<br>@ 50% | lux center (lx)   | 15744            | 3936             | 1749             | 984               | 630   |
|                         | foot candles (fc) | 1463             | 366              | 163              | 91                | 59    |
|                         | diameter (cm)     | 49               | 98               | 147              | 196               | 246   |
|                         | diameter (ft)     | 1.61             | 3.22             | 4.83             | 6.45              | 8.06  |
| BEAM ANGLE 60°<br>@ 10% | lux center (lx)   | 4081             | 1020             | 453              | 255               | 163   |
|                         | foot candles (fc) | 379              | 95               | 42               | 24                | 15    |
|                         | diameter (cm)     | 231              | 462              | 693              | 924               | 1155  |
|                         | diameter (ft)     | 7.58             | 15.15            | 22.73            | 30.31             | 37.88 |

### FEATURES



### OPTIONALS

### CERTIFICATIONS



### CODES

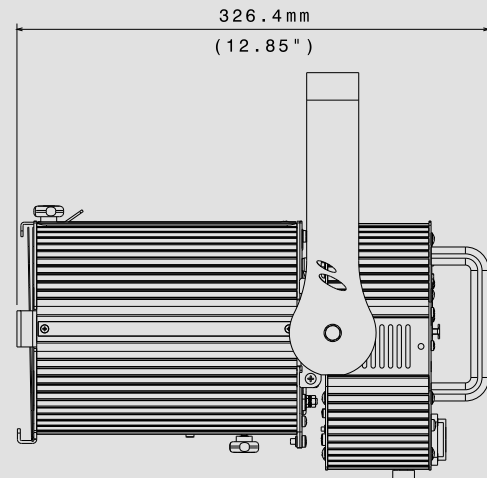
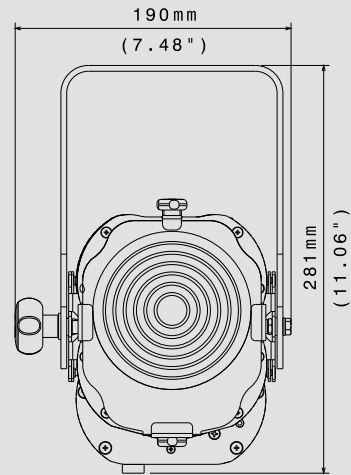
**MANUAL ZOOM - 03.TS054.46.F**

**MOTORIZED ZOOM - 03.TS054.46.F**

# SCENA LED 120 HQS



THE THEATRE LED PROJECTOR  
WITH AN UNLIMITED COLOR  
PALETTE



## TECHNICAL DATA

### OUTPUT

- Single 4-color LED source
- Lumen output: up to 2,720
- CRI > 90
- LED lifespan: 50,000 hours (70% lumen output)

### OPTICAL GROUP

- Ø 112 mm Fresnel lens
- 20° - 74° linear zoom

### COLOR GENERATION

- 16 million colors
- Wide palette of pure uniform whites
- Variable linear color temperature (2700 K – 8000 K)

### DIMMER

Hi-Q Dimming technology

### CONTROL

- DMX 512 / RDM control
- Multi-function 4-digit 7-segment LED display + 4 soft keys
- Firmware updatable via DTS firmware uploader dongle

### DMX

- 10 DMX channels (default)
- 4 DMX channels
- 6 DMX channels
- "Fine" mode
- "Prom" mode

### POWER SUPPLY

- Electronic Wide-range 100-240Vac 50-60 Hz
- Power consumption: 120 W max
- Power Factor: PF > 0.95

### CONNECTIONS

- Power supply: PowerCON TRUE1 In/Out panel connectors
- DMX: XLR 5-pole In/Out panel connectors

### CIRCUITS PROTECTION

- Overvoltage and overtemperature circuits protection

### OPERATING TEMPERATURE

-10° / 40° C

### PHYSICAL

- IP20
- Weight: 4,5 Kg (9.9 lbs)
- Finishing: Black

CODE

**03.TS081.46.F**

## FEATURES



## OPTIONALS

## CERTIFICATIONS



## ACCESSORIES INCLUDED

- 1 x Cable with PowerCON TRUE1 female connector (code 02K0012267.0015)
- 1 x FilterframeBlack finishing - already installed on the projector (code 02M00422.46)

## ACCESSORIES ON REQUEST

- Barndoor Black finishing (code 03.TA206)
- Outdoor DMX cable 2 x 0,25 mm<sup>2</sup> - Flame retardant (code 0509C158)
- Universal Hook Clamp - Max load 40 Kg - 88 lbs (code 0521A047)
- Safety cable - 3 x 600 mm - max. capacity load 30 Kg (code 0521A010)
- DTS firmware uploader dongle (code 03.LA.206)

## PHOTOMETRIC DATA

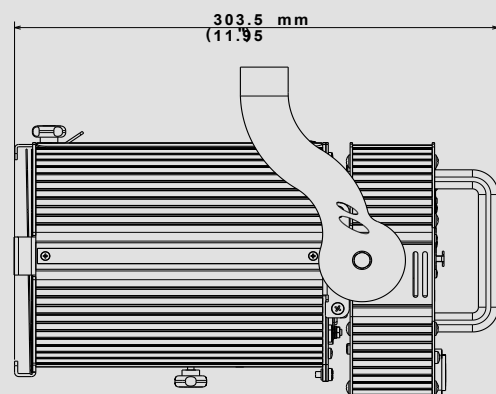
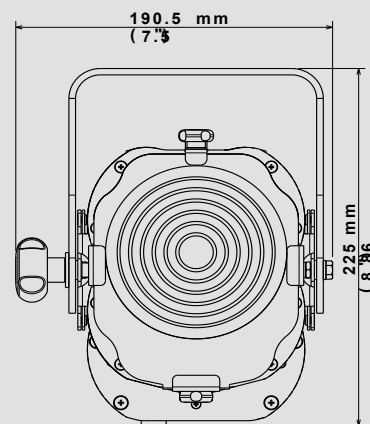
|                        |                            | mt 2<br>ft 6.56 | mt 4<br>ft 13.12 | mt 6<br>ft 19.68 | mt 8<br>ft 26.25 | mt 10<br>ft 32.81 |
|------------------------|----------------------------|-----------------|------------------|------------------|------------------|-------------------|
| BEAM ANGLE 20° - @ 50% | <b>COLORS (Full power)</b> |                 |                  |                  |                  |                   |
|                        | <b>lux center (lx)</b>     | 3375            | 844              | 375              | 211              | 135               |
|                        | <b>foot candles (fc)</b>   | 314             | 78               | 35               | 20               | 13                |
| 3200 K                 | <b>lux center (lx)</b>     | 2025            | 506              | 225              | 127              | 81                |
|                        | <b>foot candles (fc)</b>   | 188             | 47               | 21               | 12               | 8                 |
| 4000 K                 | <b>lux center (lx)</b>     | 2273            | 568              | 253              | 142              | 91                |
|                        | <b>foot candles (fc)</b>   | 211             | 53               | 23               | 13               | 8                 |
| 5600 K                 | <b>lux center (lx)</b>     | 2475            | 619              | 275              | 155              | 99                |
|                        | <b>foot candles (fc)</b>   | 230             | 58               | 26               | 14               | 9                 |
|                        | <b>diameter (cm)</b>       | 71              | 141              | 212              | 282              | 353               |
|                        | <b>diameter (ft)</b>       | 2.31            | 4.63             | 6.94             | 9.26             | 11.57             |

|                        |                            | mt 2<br>ft 6.56 | mt 4<br>ft 13.12 | mt 6<br>ft 19.68 | mt 8<br>ft 26.25 | mt 10<br>ft 32.81 |
|------------------------|----------------------------|-----------------|------------------|------------------|------------------|-------------------|
| BEAM ANGLE 74° - @ 10% | <b>COLORS (Full power)</b> |                 |                  |                  |                  |                   |
|                        | <b>lux center (lx)</b>     | 855             | 214              | 95               | 53               | 34                |
|                        | <b>foot candles (fc)</b>   | 79              | 20               | 9                | 5                | 3                 |
| 3200 K                 | <b>lux center (lx)</b>     | 506             | 127              | 56               | 32               | 20                |
|                        | <b>foot candles (fc)</b>   | 47              | 12               | 12               | 3                | 2                 |
| 4000 K                 | <b>lux center (lx)</b>     | 540             | 135              | 60               | 34               | 22                |
|                        | <b>foot candles (fc)</b>   | 50              | 13               | 6                | 3                | 2                 |
| 5600 K                 | <b>lux center (lx)</b>     | 608             | 152              | 68               | 38               | 24                |
|                        | <b>foot candles (fc)</b>   | 56              | 14               | 6                | 4                | 2                 |
|                        | <b>diameter (cm)</b>       | 301             | 603              | 904              | 1206             | 1507              |
|                        | <b>diameter (ft)</b>       | 9.89            | 19.78            | 29.67            | 39.56            | 49.45             |

# SCENA LED 80



THE SMART REPLACEMENT OF THE CONVENTIONAL THEATRE LIGHTS WITH RAIL-MOUNTING OPTIONAL



## TECHNICAL DATA

### OUTPUT

- Single White LED source
- Lumen output (3000 K): up to 6,923
- CRI > 90
- Also available with 4000 K and 5000 K LED
- LED lifespan: 50,000 hours (70% lumen output)

### OPTICAL GROUP

- Ø 112 mm Fresnel lens
- 14° - 77° linear zoom

### CONTROL

- DMX 512 / RDM or Manual control
- Multi-function 4-digit 7-segment LED display + 4 soft keys
- Firmware updatable via DTS firmware uploader dongle

### DMX

- 2 DMX channels (default)
- 3 DMX channels
- 1 DMX channel

### POWER SUPPLY

- Electronic Wide-range 100-240Vac 50-60 Hz;
- Power consumption: 100 W max
- Power Factor: PF > 0.95

### CONNECTIONS

- Power supply: PowerCON In/Out panel connectors
- DMX: XLR 5-pole In/Out panel connectors

### CIRCUITS PROTECTION

- Overvoltage and overtemperature circuits protection

### OPERATING TEMPERATURE

-10° / 40° C

### PHYSICAL

- IP20
- Weight: 4.2 Kg (9.3 lbs)
- Finishing: Black

## ACCESSORIES INCLUDED

- 1 x PowerCON female cable connector (code 0520P014)
- 1 x XLR 5 pins female cable connector (code 0508B027)
- 1 x XLR 5 pins male cable connector (code 0508B028)
- 1 x Filterframe Black finishing - already installed on the projector (code 02M00422.46)

## ACCESSORIES ON REQUEST

- Barndoor Black finishing (code 03.TA206)
- Outdoor DMX cable 2 x 0,25 mm<sup>2</sup> - Flame retardant (code 0509C158)
- Universal Hook Clamp - Max load 40 Kg - 88 lbs (code 0521A047)
- Safety cable - 3 x 600 mm - max. capacity load 30 Kg (code 0521A010)
- DTS firmware uploader dongle (code 03.LA.206)

## ACCESSORIES FOR ELECTRIFIED RAIL MOUNTING

- Track adapter - black finishing (code 03.LA.235)

## PHOTOMETRIC DATA

|                        |        | mt 2<br>ft 6.56   | mt 4<br>ft 13.12 | mt 6<br>ft 19.68 | mt 8<br>ft 26.25 | mt 10<br>ft 32.81 |       |
|------------------------|--------|-------------------|------------------|------------------|------------------|-------------------|-------|
| BEAM ANGLE 14° - @ 50% | 3000 K | lux center (lx)   | 7145             | 1786             | 794              | 447               | 286   |
|                        |        | foot candles (fc) | 664              | 166              | 74               | 42                | 27    |
|                        | 4000 K | lux center (lx)   | 8146             | 2037             | 905              | 509               | 326   |
|                        |        | foot candles (fc) | 757              | 189              | 84               | 47                | 30    |
|                        | 5000 K | lux center (lx)   | 8146             | 2037             | 905              | 509               | 326   |
|                        |        | foot candles (fc) | 757              | 189              | 84               | 47                | 30    |
|                        |        | diameter (cm)     | 49               | 98               | 147              | 196               | 246   |
|                        |        | diameter (ft)     | 1.61             | 3.22             | 4.83             | 6.45              | 8.06  |
|                        |        | mt 2<br>ft 6.56   | mt 4<br>ft 13.12 | mt 6<br>ft 19.68 | mt 8<br>ft 26.25 | mt 10<br>ft 32.81 |       |
| BEAM ANGLE 77° - @ 10% | 3000 K | lux center (lx)   | 1399             | 350              | 155              | 87                | 56    |
|                        |        | foot candles (fc) | 130              | 33               | 14               | 8                 | 5     |
|                        | 4000 K | lux center (lx)   | 1653             | 413              | 184              | 103               | 66    |
|                        |        | foot candles (fc) | 154              | 38               | 17               | 10                | 6     |
|                        | 5000 K | lux center (lx)   | 1653             | 413              | 184              | 103               | 66    |
|                        |        | foot candles (fc) | 154              | 38               | 17               | 10                | 6     |
|                        |        | diameter (cm)     | 318              | 636              | 955              | 1273              | 1591  |
|                        |        | diameter (ft)     | 10.44            | 20.88            | 31.32            | 41.75             | 52.19 |

## FEATURES



## OPTIONALS

MOTORIZED ZOOM VERSION - ON DEMAND  
ANTIHALO LENS VERSION - ON DEMAND

## CERTIFICATIONS



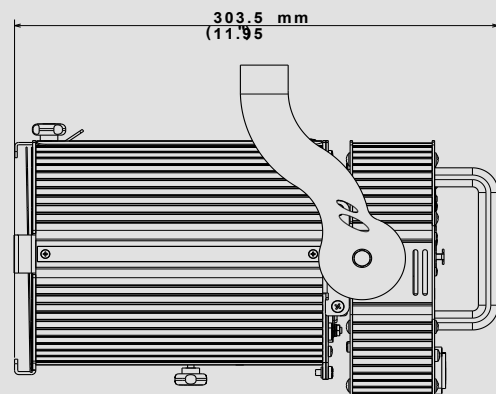
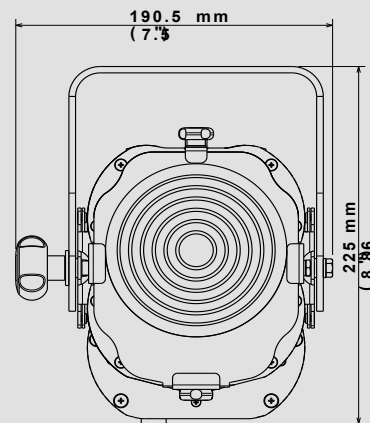
## CODES

FRESNEL 3000 K - 03.TS031.46.F  
FRESNEL 4000 K - 03.TS032.46.F  
FRESNEL 5000 K - 03.TS033.46.F

# SCENA LED 80 CT



THE SMART THEATRE LIGHTS WITH  
SELECTABLE COLOR TEMPERATURE.  
RAIL-MOUNTING ADAPTOR AVAILABLE



## TECHNICAL DATA

### OUTPUT

- Single White LED source with linearly tunable color temperature (2700 K - 6000 K)
- Lumen output: up to 5,400
- CRI > 80
- LED lifespan: 50,000 hours (70% lumen output)

### OPTICAL GROUP

- Ø 112 mm Fresnel lens
- 14° - 77° linear zoom

### CONTROL

- DMX 512 / RDM or Manual control
- Multi-function 4-digit 7-segment LED display + 4 soft keys
- Firmware updatable via DTS firmware uploader dongle

### DMX

- 7 DMX channels (default)
- 2 DMX channels
- "CTC" mode

### POWER SUPPLY

- Electronic Wide-range 100-240Vac 50-60 Hz;
- Power consumption: 100 W max
- Power Factor: PF > 0.95

### CONNECTIONS

- Power supply: PowerCON In/Out panel connectors
- DMX: XLR 5-pole In/Out panel connectors

### CIRCUITS PROTECTION

- Overvoltage and overtemperature circuits protection

### OPERATING TEMPERATURE

-10° / 40° C

### PHYSICAL

- IP20
- Weight: 4 Kg (8.8 lbs)
- Finishing: Black

## ACCESSORIES INCLUDED

- 1 x PowerCON female cable connector (code 0520P014)
- 1 x XLR 5 pins female cable connector (code 0508B027)
- 1 x XLR 5 pins male cable connector (code 0508B028)
- 1 x Filterframe Black finishing - already installed on the projector (code 02M00422.46)

## ACCESSORIES ON REQUEST

- Barndoor Black finishing (code 03.TA206)
- Outdoor DMX cable 2 x 0,25 mm<sup>2</sup> - Flame retardant (code 0509C158)
- Universal Hook Clamp - Max load 40 Kg - 88 lbs (code 0521A047)
- Safety cable - 3 x 600 mm - max. capacity load 30 Kg (code 0521A010)
- DTS firmware uploader dongle (code 03.LA.206)

## ACCESSORIES FOR ELECTRIFIED RAIL MOUNTING

- Track adapter - black finishing (code 03.LA.235)

## PHOTOMETRIC DATA

|                         | mt 2<br>ft 6.56   | mt 4<br>ft 13.12 | mt 6<br>ft 19.68 | mt 8<br>ft 26.25 | mt 10<br>ft 32.81 |       |
|-------------------------|-------------------|------------------|------------------|------------------|-------------------|-------|
| BEAM ANGLE 14°<br>@ 50% | lux center (lx)   | 9094             | 2273             | 1010             | 568               | 364   |
|                         | foot candles (fc) | 845              | 211              | 94               | 53                | 34    |
|                         | diameter (cm)     | 49               | 98               | 147              | 196               | 246   |
|                         | diameter (ft)     | 1.61             | 3.22             | 4.83             | 6.45              | 8.06  |
| BEAM ANGLE 77°<br>@ 10% | lux center (lx)   | 1500             | 375              | 167              | 94                | 60    |
|                         | foot candles (fc) | 139              | 35               | 15               | 9                 | 6     |
|                         | diameter (cm)     | 318              | 636              | 955              | 1273              | 1591  |
|                         | diameter (ft)     | 10.44            | 20.88            | 31.32            | 41.75             | 52.19 |

## FEATURES



## OPTIONALS

MOTORIZED ZOOM VERSION - ON DEMAND

## CERTIFICATIONS



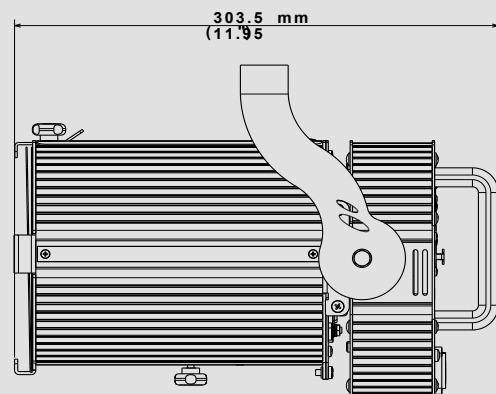
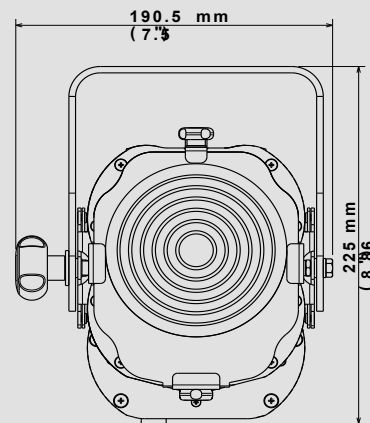
## CODE

03.TS047.46.F

# SCENA LED 80 FC



THE SMART THEATRE LIGHTS  
WITH RGBW COLOR MIXING.  
RAIL-MOUNTING ADAPTOR AVAILABLE



## TECHNICAL DATA

### OUTPUT

- Single high-power 4-colors LED
- Lumen output (RGBW): up to 1,172
- LED lifespan: 50,000 hours (70% lumen output)

### OPTICAL GROUP

- Ø 112 mm Fresnel lens
- 14° - 77° linear zoom

### COLOR GENERATION

- 16 million colors
- Wide palette of pure uniform whites
- Variable linear color temperature (2700 K – 8000 K)

### CONTROL

- DMX 512 / RDM control
- Multi-function 4-digit 7-segment LED display + 4 soft keys
- Firmware updatable via DTS firmware uploader dongle

### DMX

- 10 DMX channels (default)

### POWER SUPPLY

- Electronic Wide-range 100-240Vac 50-60 Hz;
- Power consumption: 100 W max
- Power Factor: PF >0.95

### CONNECTIONS

- Power supply: PowerCON In/Out panel connectors
- DMX: XLR 5-pole In/Out panel connectors

### CIRCUITS PROTECTION

- Overvoltage and overtemperature circuits protection

### OPERATING TEMPERATURE

-10° / 40° C

### PHYSICAL

- IP20
- Weight: 4.2 Kg (9.3 lbs)
- Finishing: Black

## ACCESSORIES INCLUDED

- 1 x PowerCON female cable connector (code 0520P014)
- 1 x XLR 5 pins female cable connector (code 0508B027)
- 1 x XLR 5 pins male cable connector (code 0508B028)
- 1 x Filterframe Black finishing - already installed on the projector (code 02M00422.46)

## ACCESSORIES ON REQUEST

- Barndoor Black finishing (code 03.TA206)
- Outdoor DMX cable 2 x 0,25 mm<sup>2</sup> - Flame retardant (code 0509C158)
- Universal Hook Clamp - Max load 40 Kg - 88 lbs (code 0521A047)
- Safety cable - 3 x 600 mm - max. capacity load 30 Kg (code 0521A010)
- DTS firmware uploader dongle (code 03.LA.206)

### ACCESSORIES FOR ELECTRIFIED RAIL MOUNTING

- Track adapter - black finishing (code 03.LA.235)

## PHOTOMETRIC DATA

|                         | mt 2<br>ft 6.56   | mt 4<br>ft 13.12 | mt 6<br>ft 19.68 | mt 8<br>ft 26.25 | mt 10<br>ft 32.81 |       |
|-------------------------|-------------------|------------------|------------------|------------------|-------------------|-------|
| BEAM ANGLE 14°<br>@ 50% | lux center (lx)   | 3864             | 966              | 429              | 242               | 155   |
|                         | foot candles (fc) | 359              | 90               | 40               | 22                | 14    |
|                         | diameter (cm)     | 49               | 98               | 147              | 196               | 246   |
|                         | diameter (ft)     | 1.61             | 3.22             | 4.83             | 6.45              | 8.06  |
| BEAM ANGLE 77°<br>@ 10% | lux center (lx)   | 640              | 160              | 71               | 40                | 26    |
|                         | foot candles (fc) | 59               | 15               | 7                | 4                 | 2     |
|                         | diameter (cm)     | 318              | 636              | 955              | 1273              | 1591  |
|                         | diameter (ft)     | 10.44            | 20.88            | 31.32            | 41.75             | 52.19 |

## FEATURES



## OPTIONALS

## CERTIFICATIONS



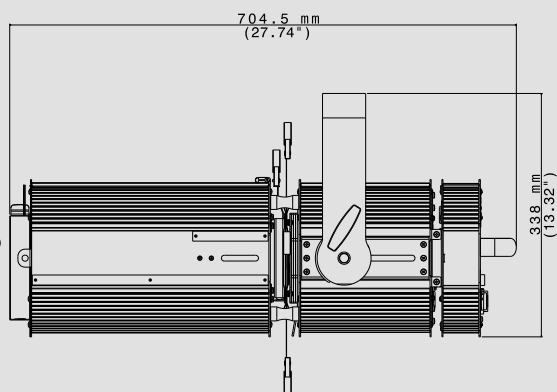
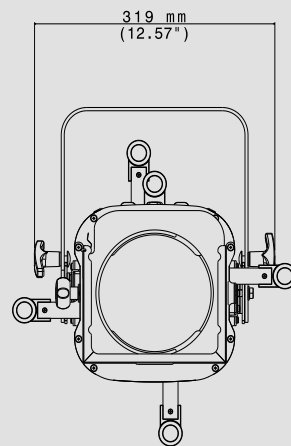
## CODE

**03.TS026.46.F**

# PROFILO LED 200



THE HIGH-POWER VERSATILE ALTERNATIVE TO CONVENTIONAL PROFILERS



## TECHNICAL DATA

### OUTPUT

- Single high-power 200 W white LED (3200 K)
- CRI > 95
- Also available with 4000 K or 5600 K LED (CRI > 90)
- LED lifespan: 50,000 hours (70% lumen output)

### OPTICAL GROUP

- 15.5° - 38° linear zoom
- High definition zoom lens with double optical condenser lens

### FRAMING SYSTEM

- Framing system composed of 4 asymmetric blades
- Each blade can be inverted
- 70° full system rotation (+/- 35°)
- Blades operate on three discrete planes
- A 5th blade can be added

### GOBOS

- Ø external: 86 mm
- Ø of image: 60 mm
- Thickness: from 0.2 to 2 mm

### CONTROL

- DMX 512 / RDM or Manual control
- Multi-function 4-digit 7-segment LED display + 4 soft keys
- Firmware updatable via DTS firmware uploader dongle

### DMX

- 4 DMX channels (default)
- 1 DMX channel
- "Fine" mode

### POWER SUPPLY

- Electronic Wide-range 100-240Vac 50-60 Hz;
- Power consumption: 200 W max
- Power Factor: PF > 0.94

### CONNECTIONS

- Power supply: PowerCON TRUE1 In/Out panel connectors
- DMX: XLR 5-pole In/Out panel connectors

### CIRCUITS PROTECTION

- Overvoltage and overtemperature circuits protection

### OPERATING TEMPERATURE

-10° / 40° C

### PHYSICAL

- IP20
- Internal system with four removable shutters
- Yoke featuring an exclusive sliding system with clutch for a wider tilt
- Weight: 16.9 Kg (37.3 lbs)
- Finishing: Black

## ACCESSORIES INCLUDED

### ON BOARD

- 1 x Soft edge filter assembly (code 02TP0047)
- 1 x Filterframe Black finishing (code 02M00420.49)

### IN THE BOX

- 1 x PowerCON TRUE1 female cable connector (code 0520P066)
- 1 x XLR 5 pins female cable connector (code 0508B147)
- 1 x XLR 5 pins male cable connector (code 0508B148)
- 4 x Shutter blades assembly (single blade code 02SK0429)

## ACCESSORIES ON REQUEST

- 5th shutter blade (code 02SK0429)
- Iris/Diaphragm (code 03.TA225)
- Gobo holder (code 03.TA226)
- Outdoor DMX cable 2 x 0,25 mm<sup>2</sup> - Flame retardant (code 0509C158)
- Universal Hook Clamp - Max load 40 Kg - 88 lbs (code 0521A047)
- Safety cable - 3 x 600 mm - max. capacity load 30 Kg (code 0521A010)
- DTS firmware uploader dongle (code 03.LA.206)

## PHOTOMETRIC DATA

|                  |        | mt 2<br>ft 6.56 | mt 4<br>ft 13.12 | mt 6<br>ft 19.68 | mt 8<br>ft 26.25 | mt 10<br>ft 32.81 |       |
|------------------|--------|-----------------|------------------|------------------|------------------|-------------------|-------|
| BEAM ANGLE 15.5° | 3200 K | lux center (lx) | 24869            | 6217             | 2763             | 1554              | 995   |
|                  |        | foot candles fc | 2311             | 578              | 257              | 144               | 92    |
|                  | 4000 K | lux center (lx) | 32382            | 8096             | 3598             | 2024              | 1295  |
|                  |        | foot candles fc | 3009             | 752              | 334              | 188               | 120   |
|                  | 5600 K | lux center (lx) | 36448            | 9112             | 4050             | 2278              | 326   |
|                  |        | foot candles fc | 3387             | 847              | 376              | 212               | 30    |
|                  |        | diameter (cm)   | 54               | 109              | 163              | 218               | 272   |
|                  |        | diameter (ft)   | 1.79             | 3.57             | 5.36             | 7.14              | 8.93  |
| BEAM ANGLE 38°   | 3200 K | lux center (lx) | 5614             | 1403             | 624              | 351               | 225   |
|                  |        | foot candles fc | 522              | 130              | 58               | 33                | 21    |
|                  | 4000 K | lux center (lx) | 6863             | 1716             | 763              | 429               | 275   |
|                  |        | foot candles fc | 638              | 159              | 71               | 40                | 26    |
|                  | 5600 K | lux center (lx) | 7774             | 1943             | 864              | 486               | 311   |
|                  |        | foot candles fc | 722              | 181              | 80               | 45                | 29    |
|                  |        | diameter (cm)   | 138              | 275              | 413              | 551               | 689   |
|                  |        | diameter (ft)   | 4.52             | 9.04             | 13.56            | 18.07             | 22.59 |

## FEATURES



## OPTIONALS

## CERTIFICATIONS



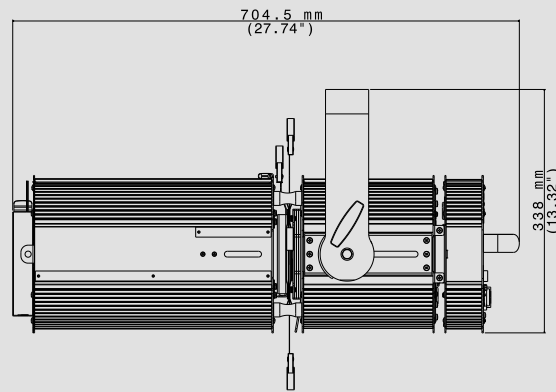
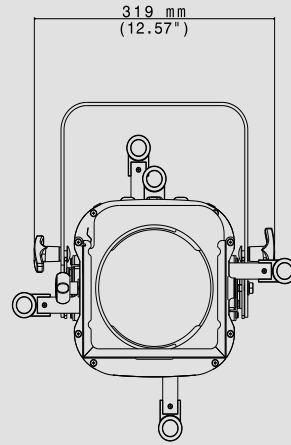
## CODES

3200 K - 03.TP035.46  
 4000 K - 03.TP036.46  
 5600 K - 03.TP037.46

# PROFILO LED 200 CT



THE HIGH-POWER ALTERNATIVE TO CONVENTIONAL PROFILERS WITH SELECTABLE COLOR TEMPERATURE



## TECHNICAL DATA

### OUTPUT

- Single high-power 200 W white LED with linearly tunable color temperature (2700 K - 6500 K)
- CRI > 90
- LED lifespan: 50,000 hours (70% lumen output)

### OPTICAL GROUP

- 15.5° - 38° linear zoom
- High definition zoom lens with double optical condenser lens

### FRAMING SYSTEM

- Framing system composed of 4 asymmetric blades
- Each blade can be inverted
- 70° full system rotation (+/- 35°)
- Blades operate on three discrete planes
- A 5th blade can be added

### GOBOS

- Ø external: 86 mm
- Ø of image: 60 mm
- Thickness: from 0.2 to 2 mm

### CONTROL

- DMX 512 / RDM or Manual control
- Multi-function 4-digit 7-segment LED display + 4 soft keys
- Firmware updatable via DTS firmware uploader dongle

### DMX

- 7 DMX channels (default)
- 2 DMX channel
- "CTC" mode

### POWER SUPPLY

- Electronic Wide-range 100-240Vac 50-60 Hz;
- Power consumption: 200 W max
- Power Factor: PF > 0.94

### CONNECTIONS

- Power supply: PowerCON TRUE1 In/Out panel connectors
- DMX: XLR 5-pole In/Out panel connectors

### CIRCUITS PROTECTION

- Overvoltage and overtemperature circuits protection

### OPERATING TEMPERATURE

-10° / 40° C

### PHYSICAL

- IP20
- Internal system with four removable shutters
- Yoke featuring an exclusive sliding system with clutch for a wider tilt
- Weight: 16.85 Kg (37.15 lbs)
- Finishing: Black

## ACCESSORIES INCLUDED

### ON BOARD

- 1 x Soft edge filter assembly (code 02TP0047)
- 1 x Filterframe Black finishing (code 02M00420.49)

### IN THE BOX

- 1 x PowerCON TRUE1 female cable connector (code 0520P066)
- 1 x XLR 5 pins female cable connector (code 0508B147)
- 1 x XLR 5 pins male cable connector (code 0508B148)
- 4 x Shutter blades assembly (single blade code 02SK0429)

## ACCESSORIES ON REQUEST

- 5th shutter blade (code 02SK0429)
- Iris/Diaphragm (code 03.TA225)
- Gobo holder (code 03.TA226)
- Outdoor DMX cable 2 x 0,25 mm<sup>2</sup> - Flame retardant (code 0509C158)
- Universal Hook Clamp - Max load 40 Kg - 88 lbs (code 0521A047)
- Safety cable - 3 x 600 mm - max. capacity load 30 Kg (code 0521A010)
- DTS firmware uploader dongle (code 03.LA.206)

## PHOTOMETRIC DATA

|                          | mt 2<br>ft 6.56 | mt 4<br>ft 13.12 | mt 6<br>ft 19.68 | mt 8<br>ft 26.25 | mt 10<br>ft 32.81 |
|--------------------------|-----------------|------------------|------------------|------------------|-------------------|
| <b>BEAM ANGLE 15.5°</b>  |                 |                  |                  |                  |                   |
| <b>lux center (lx)</b>   | 25900           | 6475             | 2878             | 1619             | 1036              |
| <b>foot candles (fc)</b> | 2407            | 602              | 267              | 150              | 96                |
| <b>diameter (cm)</b>     | 54              | 109              | 163              | 218              | 272               |
| <b>diameter (ft)</b>     | 1.79            | 3.57             | 5.36             | 7.14             | 8.93              |
| <b>BEAM ANGLE 38°</b>    |                 |                  |                  |                  |                   |
| <b>lux center (lx)</b>   | 5551            | 1388             | 617              | 347              | 222               |
| <b>foot candles (fc)</b> | 516             | 129              | 57               | 32               | 21                |
| <b>diameter (cm)</b>     | 138             | 275              | 413              | 551              | 689               |
| <b>diameter (ft)</b>     | 4.52            | 9.04             | 13.56            | 18.07            | 22.59             |

## FEATURES



## OPTIONALS

## CERTIFICATIONS



## CODE

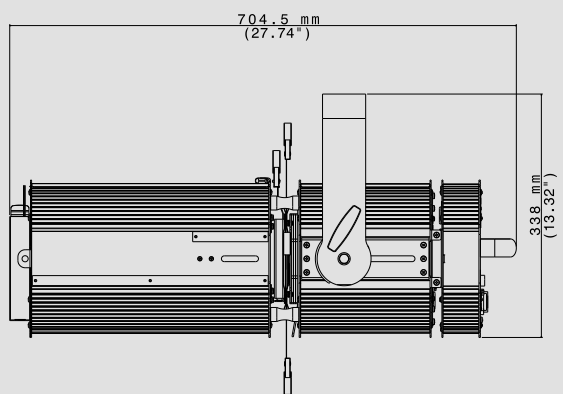
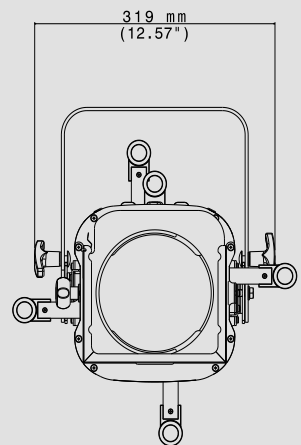
**03.TP039.46**



# PROFILO LED 200 FC



THE HIGH-POWER ALTERNATIVE TO CONVENTIONAL PROFILERS WITH RGBW COLOR MIXING



## TECHNICAL DATA

### OUTPUT

- Single high-power 200 W Full Color (RGBW) LED with Cold White 5600 K
- Cold White CRI > 90
- LED lifespan: 50,000 hours (70% lumen output)

### OPTICAL GROUP

- 19° - 41° linear zoom
- High definition zoom lens with double optical condenser lens

### FRAMING SYSTEM

- Framing system composed of 4 asymmetric blades
- Each blade can be inverted
- 70° full system rotation (+/- 35°)
- Blades operate on three discrete planes
- A 5th blade can be added

### COLOR GENERATION

- 28 Gel Filters Macros
- Wide palette of pure uniform whites
- Variable linear color temperature (2700 K – 8000 K)

### GOBOS

- Ø external: 86 mm
- Ø of image: 60 mm
- Thickness: from 0.2 to 2 mm

### CONTROL

- DMX 512 / RDM or Manual control
- Multi-function 4-digit 7-segment LED display + 4 soft keys
- Firmware updatable via DTS firmware uploader dongle

### DMX

- 10 DMX channels (default)
- 4 DMX channels
- 6 DMX channels
- "Fine" mode

### POWER SUPPLY

- Electronic Wide-range 100-240Vac 50-60 Hz;
- Power consumption: 200 W max
- Power Factor: PF > 0.94

### CONNECTIONS

- Power supply: PowerCON TRUE1 In/Out panel connectors
- DMX: XLR 5-pole In/Out panel connectors

### CIRCUITS PROTECTION

- Overvoltage and overtemperature circuits protection

### OPERATING TEMPERATURE

-10° / 40° C

### PHYSICAL

- IP20
- Internal system with four removable shutters
- Yoke featuring an exclusive sliding system with clutch for a wider tilt
- Weight: 16.95 Kg (37.4 lbs)
- Finishing: Black

## ACCESSORIES INCLUDED

### ON BOARD

- 1 x Soft edge filter assembly (code 02TP0047)
- 1 x Filterframe Black finishing (code 02M00420.49)

### IN THE BOX

- 1 x PowerCON TRUE1 female cable connector (code 0520P066)
- 1 x XLR 5 pins female cable connector (code 0508B147)
- 1 x XLR 5 pins male cable connector (code 0508B148)
- 4 x Shutter blades assembly (single blade code 02SK0429)

## ACCESSORIES ON REQUEST

- 5th shutter blade (code 02SK0429)
- Iris/Diaphragm (code 03.TA225)
- Gobo holder (code 03.TA226)
- Outdoor DMX cable 2 x 0,25 mm<sup>2</sup> - Flame retardant (code 0509C158)
- Universal Hook Clamp - Max load 40 Kg - 88 lbs (code 0521A047)
- Safety cable - 3 x 600 mm - max. capacity load 30 Kg (code 0521A010)
- DTS firmware uploader dongle (code 03.LA.206)

## PHOTOMETRIC DATA

|                | mt 2<br>ft 6.56   | mt 4<br>ft 13.12 | mt 6<br>ft 19.68 | mt 8<br>ft 26.25 | mt 10<br>ft 32.81 |       |
|----------------|-------------------|------------------|------------------|------------------|-------------------|-------|
| BEAM ANGLE 19° | lux center (lx)   | 11147            | 2787             | 1239             | 697               | 446   |
|                | foot candles (fc) | 1036             | 259              | 115              | 65                | 41    |
|                | diameter (cm)     | 67               | 134              | 201              | 268               | 335   |
|                | diameter (ft)     | 2.20             | 4.39             | 6.59             | 8.78              | 10.98 |
| BEAM ANGLE 41° | lux center (lx)   | 3031             | 758              | 337              | 189               | 121   |
|                | foot candles (fc) | 282              | 70               | 31               | 18                | 11    |
|                | diameter (cm)     | 150              | 299              | 449              | 598               | 748   |
|                | diameter (ft)     | 4.91             | 9.81             | 14.72            | 19.63             | 24.53 |

## FEATURES



## OPTIONALS

## CERTIFICATIONS



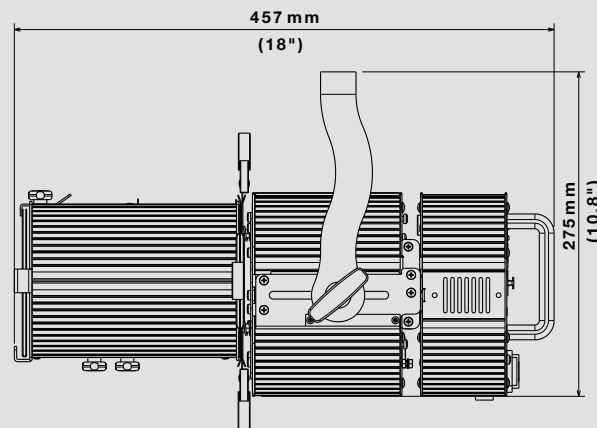
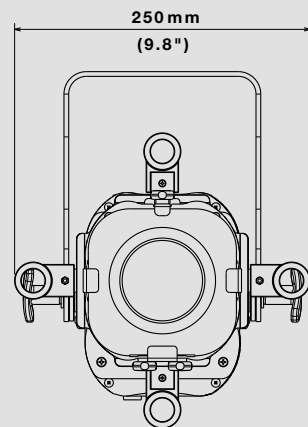
## CODE

**03.TP038.46**

# PROFILO LED 120 HQS



THE LED-BASE PROFILE WITH AN UNLIMITED COLOR PALETTE



## TECHNICAL DATA

### OUTPUT

- Single 4-color (RGBA) LED source
- LED lifespan: 50,000 hours (70% lumen output)

### OPTICAL GROUP

- 20° - 38° linear zoom
- High definition zoom lens with double optical condenser lens

### COLOR GENERATION

- 16 million colors
- Wide palette of pure uniform whites
- Variable linear color temperature (2700 K – 8000 K)

### GOBOS

- Gobo type M
- Ø external: 66 mm
- Ø of image: 48 mm
- Thickness: from 0.2 to 3 mm

### DIMMER

- Hi-Q Dimming technology

### CONTROL

- DMX 512 / RDM control
- Multi-function 4-digit 7-segment LED display + 4 soft keys
- Firmware updatable via DTS firmware uploader dongle

### DMX

- 10 DMX channels (default)
- 4 DMX channels
- 6 DMX channels
- "Fine" mode
- "Prom" mode

### POWER SUPPLY

- Electronic Wide-range 100-240Vac 50-60 Hz
- Power consumption: 120 W max
- Power Factor: PF >0.95

### CONNECTIONS

- Power supply: PowerCON TRUE1 In/Out panel connectors
- DMX: XLR 5-pole In/Out panel connectors

### CIRCUITS PROTECTION

- Overvoltage and overtemperature circuits protection

### OPERATING TEMPERATURE

-10° / 40° C

### PHYSICAL

- IP20
- Weight: 6.3 Kg (13.9 lbs)
- Finishing: Black

## ACCESSORIES INCLUDED

- 1 x Cable with PowerCON TRUE1 female connector (code 02K0012267.0015)
- 1 x FilterframeBlack finishing - already installed on the projector (code 02M00422.46)
- 1 x Soften filter 10° (code 02SK0464)
- 4 x Shutter blades (single blade code 02SK0335)

## ACCESSORIES ON REQUEST

- Gobo holder (code 03.TA224)
- Iris/diaphragm (code 03.TA223)
- Outdoor DMX cable 2 x 0,25 mm² - Flame retardant (code 0509C158)
- Universal Hook Clamp - Max load 40 Kg - 88 lbs (code 0521A047)
- Safety cable - 3 x 600 mm - max. capacity load 30 Kg (code 0521A010)
- DTS firmware uploader dongle (code 03.LA.206)

## PHOTOMETRIC DATA

|                       |                            | mt 2<br>ft 6.56 | mt 4<br>ft 13.12 | mt 6<br>ft 19.68 | mt 8<br>ft 26.25 | mt 10<br>ft 32.81 |
|-----------------------|----------------------------|-----------------|------------------|------------------|------------------|-------------------|
| <b>BEAM ANGLE 20°</b> | <b>COLORS (Full power)</b> |                 |                  |                  |                  |                   |
|                       | <b>lux center (lx)</b>     | 4613            | 1153             | 513              | 288              | 185               |
|                       | <b>foot candles (fc)</b>   | 429             | 107              | 48               | 27               | 17                |
| <b>3200 K</b>         | <b>lux center (lx)</b>     | 2700            | 675              | 300              | 169              | 108               |
|                       | <b>foot candles (fc)</b>   | 251             | 63               | 28               | 16               | 10                |
| <b>4000 K</b>         | <b>lux center (lx)</b>     | 3150            | 788              | 350              | 197              | 126               |
|                       | <b>foot candles (fc)</b>   | 293             | 73               | 33               | 18               | 12                |
| <b>5600 K</b>         | <b>lux center (lx)</b>     | 3375            | 844              | 375              | 211              | 135               |
|                       | <b>foot candles (fc)</b>   | 314             | 78               | 35               | 20               | 13                |
|                       | <b>diameter (cm)</b>       | 71              | 141              | 212              | 282              | 353               |
|                       | <b>diameter (ft)</b>       | 2.31            | 4.63             | 6.94             | 9.26             | 11.57             |

|                       |                            | mt 2<br>ft 6.56 | mt 4<br>ft 13.12 | mt 6<br>ft 19.68 | mt 8<br>ft 26.25 | mt 10<br>ft 32.81 |
|-----------------------|----------------------------|-----------------|------------------|------------------|------------------|-------------------|
| <b>BEAM ANGLE 38°</b> | <b>COLORS (Full power)</b> |                 |                  |                  |                  |                   |
|                       | <b>lux center (lx)</b>     | 1688            | 422              | 188              | 106              | 68                |
|                       | <b>foot candles (fc)</b>   | 157             | 39               | 17               | 10               | 6                 |
| <b>3200 K</b>         | <b>lux center (lx)</b>     | 1080            | 270              | 120              | 68               | 43                |
|                       | <b>foot candles (fc)</b>   | 100             | 25               | 11               | 6                | 4                 |
| <b>4000 K</b>         | <b>lux center (lx)</b>     | 1193            | 298              | 133              | 75               | 48                |
|                       | <b>foot candles (fc)</b>   | 111             | 28               | 12               | 7                | 4                 |
| <b>5600 K</b>         | <b>lux center (lx)</b>     | 1283            | 321              | 143              | 80               | 51                |
|                       | <b>foot candles (fc)</b>   | 119             | 30               | 13               | 7                | 5                 |
|                       | <b>diameter (cm)</b>       | 138             | 275              | 413              | 551              | 689               |
|                       | <b>diameter (ft)</b>       | 4.52            | 9.04             | 13.56            | 18.07            | 22.59             |

## FEATURES



## OPTIONALS

## CERTIFICATIONS



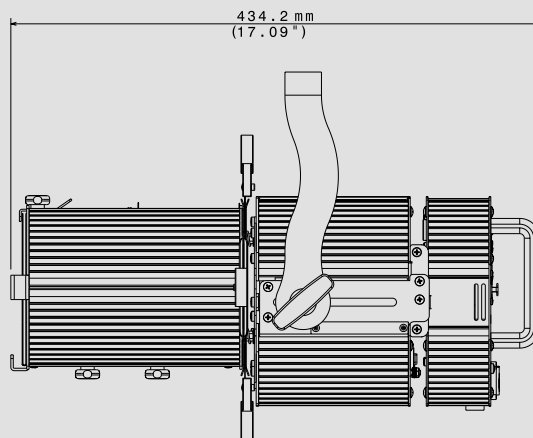
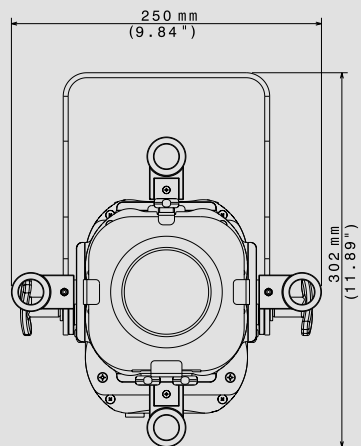
## CODE

**03.TP050.46**

# PROFILO LED 80



THE SMART LED-BASED PROFILE  
AVAILABLE ALSO WITH RAIL-  
MOUNTING ADAPTOR



## TECHNICAL DATA

### OUTPUT

- Single White 3000 K LED source
- CRI > 90
- Also available with 4000 K and 5000 K LED
- LED lifespan: 50,000 hours (70% lumen output)

### OPTICAL GROUP

- 20° - 36° linear zoom
- High definition zoom lens with double optical condenser lens

### GOBOS

- Gobo type M
- Ø external: 66 mm
- Ø of image: 48 mm
- Thickness: from 0.2 to 3 mm

### CONTROL

- DMX 512 / RDM or Manual control
- Multi-function 4-digit 7-segment LED display + 4 soft keys
- Firmware updatable via DTS firmware uploader dongle

### DMX

- 2 DMX channels (default)
- 3 DMX channels
- 1 DMX channel

### POWER SUPPLY

- Electronic Wide-range 100-240Vac 50-60 Hz
- Power consumption: 100 W max
- Power Factor: PF > 0.95

### CONNECTIONS

- Power supply: PowerCON In/Out panel connectors
- DMX: XLR 5-pole In/Out panel connectors

### CIRCUITS PROTECTION

- Overvoltage and overtemperature circuits protection

### OPERATING TEMPERATURE

-10° / 40° C

### PHYSICAL

- IP20
- Internal system with four removable shutters
- Yoke featuring an exclusive round flange + clutch system
- Weight: 6.3 Kg (13.9 lbs)
- Finishing: Black

## ACCESSORIES INCLUDED

- 1 x PowerCON female cable connector (code 0520P014)
- 1 x XLR 5 pins male cable connector (code 0508B028)
- 1 x XLR 5 pins female cable connector (code 0508B027)
- 1 x Filterframe - Black finish - already mounted on the unit (code 02M00426.46)
- 4 x Shutter blades (single blade code 02SK0335)

## ACCESSORIES ON REQUEST

- Gobo holder (code 03.TA224)
- Iris/diaphragm (code 03.TA223)
- Outdoor DMX cable 2 x 0,25 mm² - Flame retardant (code 0509C158)
- Universal Hook Clamp - Max load 40 Kg - 88 lbs (code 0521A047)
- Safety cable - 3 x 600 mm - max. capacity load 30 Kg (code 0521A010)
- DTS firmware uploader dongle (code 03.LA.206)

## ACCESSORIES FOR ELECTRIFIED RAIL MOUNTING

- Track adapter - black finishing (code 03.LA.235)

## PHOTOMETRIC DATA

|                |        | mt 2<br>ft 6.56 | mt 4<br>ft 13.12 | mt 6<br>ft 19.68 | mt 8<br>ft 26.25 | mt 10<br>ft 32.81 |     |
|----------------|--------|-----------------|------------------|------------------|------------------|-------------------|-----|
| BEAM ANGLE 20° | 3000 K | lux center (lx) | 6552             | 1638             | 728              | 410               | 262 |
|                |        | foot candles fc | 609              | 152              | 68               | 38                | 24  |
|                | 4000 K | lux center (lx) | 7445             | 1861             | 827              | 465               | 298 |
|                |        | foot candles fc | 692              | 173              | 77               | 43                | 28  |
|                | 5000 K | lux center (lx) | 7445             | 1861             | 827              | 465               | 298 |
|                |        | foot candles fc | 692              | 173              | 77               | 43                | 28  |
| diameter (cm)  |        | 71              | 141              | 212              | 282              | 353               |     |
| diameter (ft)  |        | 2.31            | 4.63             | 6.94             | 9.26             | 11.57             |     |
|                |        | mt 2<br>ft 6.56 | mt 4<br>ft 13.12 | mt 6<br>ft 19.68 | mt 8<br>ft 26.25 | mt 10<br>ft 32.81 |     |
| BEAM ANGLE 36° | 3000 K | lux center (lx) | 4528             | 1132             | 503              | 283               | 181 |
|                |        | foot candles fc | 421              | 105              | 47               | 26                | 17  |
|                | 4000 K | lux center (lx) | 5470             | 1368             | 608              | 342               | 219 |
|                |        | foot candles fc | 508              | 127              | 56               | 32                | 20  |
|                | 5000 K | lux center (lx) | 5470             | 1368             | 608              | 342               | 219 |
|                |        | foot candles fc | 508              | 127              | 56               | 32                | 20  |
| diameter (cm)  |        | 130             | 260              | 390              | 520              | 650               |     |
| diameter (ft)  |        | 4.26            | 8.53             | 12.79            | 17.06            | 21.32             |     |

## FEATURES



## OPTIONALS

## CERTIFICATIONS



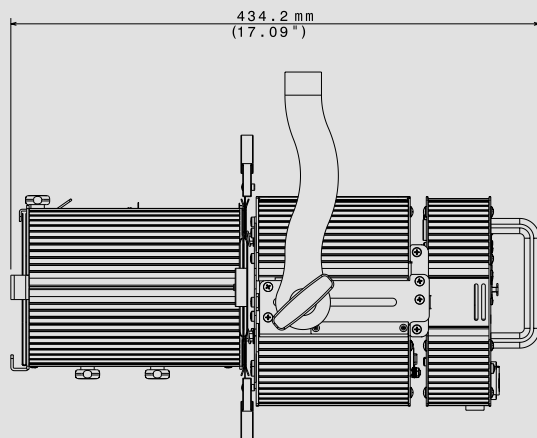
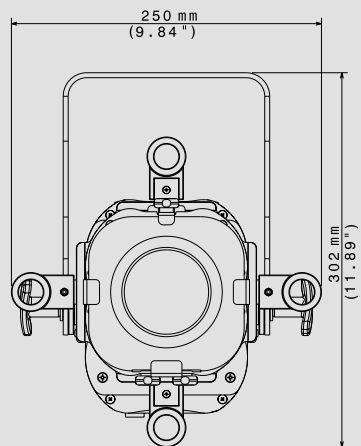
## CODES

- 3000 K - 03.TP022.46
- 4000 K - 03.TP023.46
- 5000 K - 03.TP024.46

# PROFILO LED 80 CT



THE SMART PROFILE WITH  
SELECTABLE COLOR TEMPERATURE.  
RAIL-MOUNTING ADAPTOR AVAILABLE



## TECHNICAL DATA

### OUTPUT

- Single White LED source with linearly tunable color temperature (2700 K - 6000 K)
- CRI > 80
- LED lifespan: 50,000 hours (70% lumen output)

### OPTICAL GROUP

- 20° - 36° linear zoom
- High definition zoom lens with double optical condenser lens

### GOBOS

- Gobo type M
- Ø external: 66 mm
- Ø of image: 48 mm
- Thickness: from 0.2 to 3 mm

### CONTROL

- DMX 512 / RDM or Manual control
- Multi-function 4-digit 7-segment LED display + 4 soft keys
- Firmware updatable via DTS firmware uploader dongle

### DMX

- 7 DMX channels (default)
- 2 DMX channels
- "CTC" mode

### POWER SUPPLY

- Electronic Wide-range 100-240Vac 50-60 Hz;
- Power consumption: 100 W max
- Power Factor: PF > 0.95

### CONNECTIONS

- Power supply: PowerCON In/Out panel connectors
- DMX: XLR 5-pole In/Out panel connectors

### CIRCUITS PROTECTION

- Overvoltage and overtemperature circuits protection

### OPERATING TEMPERATURE

-10° / 40° C

### PHYSICAL

- IP20
- Internal system with four removable shutters
- Yoke featuring an exclusive round flange + clutch system
- Weight: 6.3 Kg (13.9 lbs)
- Finishing: Black

## ACCESSORIES INCLUDED

- 1 x PowerCON female cable connector (code 0520P014)
- 1 x XLR 5 pins male cable connector (code 0508B028)
- 1 x XLR 5 pins female cable connector (code 0508B027)
- 1 x Filterframe - Black finish - already mounted on the unit (code 02M00426.46)
- 4 x Shutter blades (single blade code 02SK0335)

## ACCESSORIES ON REQUEST

- Gobo holder (code 03.TA224)
- Iris/diaphragm (code 03.TA223)
- Outdoor DMX cable 2 x 0.25 mm² - Flame retardant (code 0509C158)
- Universal Hook Clamp - Max load 40 Kg - 88 lbs (code 0521A047)
- Safety cable - 3 x 600 mm - max. capacity load 30 Kg (code 0521A010)
- DTS firmware uploader dongle (code 03.LA.206)

## ACCESSORIES FOR ELECTRIFIED RAIL MOUNTING

- Track adapter - black finishing (code 03.LA.235)

## PHOTOMETRIC DATA

|                                   | mt 2<br>ft 6.56 | mt 4<br>ft 13.12 | mt 6<br>ft 19.68 | mt 8<br>ft 26.25 | mt 10<br>ft 32.81 |
|-----------------------------------|-----------------|------------------|------------------|------------------|-------------------|
| BEAM ANGLE 20°<br>lux center (lx) | 6360            | 1590             | 707              | 398              | 254               |
| foot candles (fc)                 | 591             | 148              | 66               | 37               | 24                |
| diameter (cm)                     | 71              | 141              | 212              | 282              | 353               |
| diameter (ft)                     | 2.31            | 4.63             | 6.94             | 9.26             | 11.57             |

|                                   | mt 2<br>ft 6.56 | mt 4<br>ft 13.12 | mt 6<br>ft 19.68 | mt 8<br>ft 26.25 | mt 10<br>ft 32.81 |
|-----------------------------------|-----------------|------------------|------------------|------------------|-------------------|
| BEAM ANGLE 36°<br>lux center (lx) | 3944            | 986              | 438              | 247              | 158               |
| foot candles (fc)                 | 367             | 92               | 41               | 23               | 15                |
| diameter (cm)                     | 130             | 260              | 390              | 520              | 650               |
| diameter (ft)                     | 4.26            | 8.53             | 12.79            | 17.06            | 21.32             |

## FEATURES



## OPTIONALS

## CERTIFICATIONS



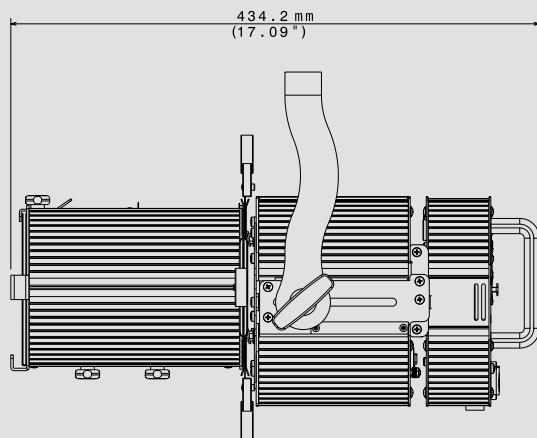
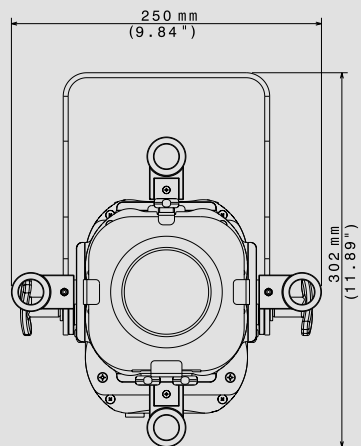
## CODE

**03.TP033.46**

# PROFILO LED 80 FC



THE SMART PROFILE WITH RGBW  
COLOR MIXING. RAIL-MOUNTING  
ADAPTOR AVAILABLE



## TECHNICAL DATA

### OUTPUT

- Single Full Color (RGBW) LED source
- LED lifespan: 50,000 hours (70% lumen output)

### OPTICAL GROUP

- 20° - 36° linear zoom
- High definition zoom lens with double optical condenser lens

### COLOR GENERATION

- 16 million colors
- Wide palette of pure uniform whites
- Variable linear color temperature (2700 K – 8000 K)

### GOBOS

- Gobo type M
- Ø external: 66 mm
- Ø of image: 48 mm
- Thickness: from 0.2 to 3 mm

### CONTROL

- DMX 512 / RDM control
- Multi-function 4-digit 7-segment LED display + 4 soft keys
- Firmware updatable via DTS firmware uploader dongle

### DMX

- 10 DMX channels (default)

### POWER SUPPLY

- Electronic Wide-range 100-240Vac 50-60 Hz;
- Power consumption: 100 W max
- Power Factor: PF >0.95

### CONNECTIONS

- Power supply: PowerCON In/Out panel connectors
- DMX: XLR 5-pole In/Out panel connectors

### CIRCUITS PROTECTION

- Overvoltage and overtemperature circuits protection

### OPERATING TEMPERATURE

-10° / 40° C

### PHYSICAL

- IP20
- Internal system with four removable shutters
- Yoke featuring an exclusive round flange + clutch system
- Weight: 6.8 Kg (15 lbs)
- Finishing: Black

## ACCESSORIES INCLUDED

- 1 x PowerCON female cable connector (code 0520P014)
- 1 x XLR 5 pins male cable connector (code 0508B028)
- 1 x XLR 5 pins female cable connector (code 0508B027)
- 1 x Filterframe - Black finish - already mounted on the unit (code 02M00426.46)
- 4 x Shutter blades (single blade code 02SK0335)

## ACCESSORIES ON REQUEST

- Gobo holder (code 03.TA224)
- Iris/diaphragm (code 03.TA223)
- Outdoor DMX cable 2 x 0.25 mm<sup>2</sup> - Flame retardant (code 0509C158)
- Universal Hook Clamp - Max load 40 Kg - 88 lbs (code 0521A047)
- Safety cable - 3 x 600 mm - max. capacity load 30 Kg (code 0521A010)
- DTS firmware uploader dongle (code 03.LA.206)

## ACCESSORIES FOR ELECTRIFIED RAIL MOUNTING

- Track adapter - black finishing (code 03.LA.235)

## PHOTOMETRIC DATA

|                   | mt 2<br>ft 6.56 | mt 4<br>ft 13.12 | mt 6<br>ft 19.68 | mt 8<br>ft 26.25 | mt 10<br>ft 32.81 |
|-------------------|-----------------|------------------|------------------|------------------|-------------------|
| BEAM ANGLE 20°    |                 |                  |                  |                  |                   |
| lux center (lx)   | 5784            | 1446             | 643              | 362              | 231               |
| foot candles (fc) | 538             | 134              | 60               | 34               | 22                |
| diameter (cm)     | 71              | 141              | 212              | 282              | 353               |
| diameter (ft)     | 2.31            | 4.63             | 6.94             | 9.26             | 11.57             |

|                   | mt 2<br>ft 6.56 | mt 4<br>ft 13.12 | mt 6<br>ft 19.68 | mt 8<br>ft 26.25 | mt 10<br>ft 32.81 |
|-------------------|-----------------|------------------|------------------|------------------|-------------------|
| BEAM ANGLE 36°    |                 |                  |                  |                  |                   |
| lux center (lx)   | 1592            | 398              | 177              | 100              | 64                |
| foot candles (fc) | 148             | 37               | 16               | 9                | 6                 |
| diameter (cm)     | 130             | 260              | 390              | 520              | 650               |
| diameter (ft)     | 4.26            | 8.53             | 12.79            | 17.06            | 21.32             |

## FEATURES



## OPTIONALS

## CERTIFICATIONS



## CODE

**03.TP020.46**



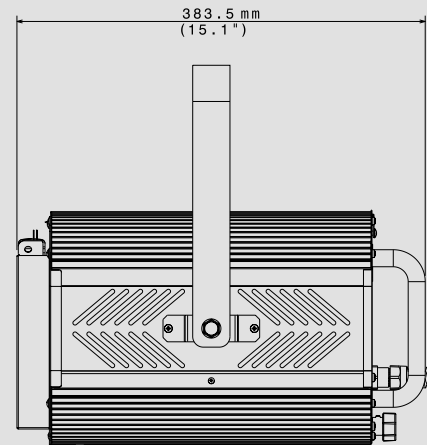
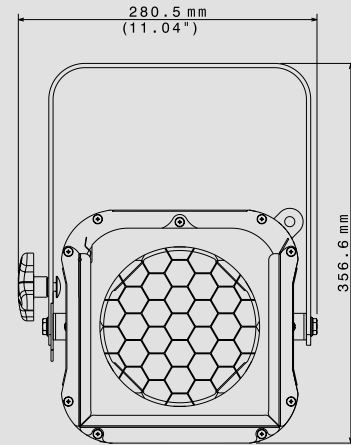
Talk & co

Talk & co

# SCENA S 650/1000



## THE PROFESSIONAL THEATRE LAMP PROJECTOR



### TECHNICAL DATA

#### OPTICAL GROUP

- Ø 150mm PC lens or Fresnel lens
- Focal adjustment with endless screws, giving precision movement on a triple track
- Spherical reflector in polished and treated 99.9% aluminium

#### LAMP HOLDER

- GX9.5

#### POWER SUPPLY

- Range 180-240Vac 50-60 Hz

#### OPERATING TEMPERATURE:

- -10° / 40° C

#### PHYSICAL

- IP20
- Extremely strong housing with aluminium edge profiles.
- Yoke with round flange + clutch system
- Front and rear safety hooks
- Easy lens access for dismantling and cleaning
- Weight: 6 kg (13.2 lbs)
- Finishing: Black

### PHOTOMETRIC DATA

|                   | SCENA S 1000 PC | mt 5<br>ft 16.40 | mt 10<br>ft 32.81 | mt 15<br>ft 49.21 | mt 20<br>ft 65.62 | mt 25<br>ft 82.02 |
|-------------------|-----------------|------------------|-------------------|-------------------|-------------------|-------------------|
| BEAM ANGLE 10°    |                 |                  |                   |                   |                   |                   |
| lux center (lx)   | 5250            | 1313             | 583               | 328               | 210               |                   |
| foot candles (fc) | 487,92          | 121,98           | 54,21             | 30,49             | 19,52             |                   |
| diameter (cm)     | 0,87            | 1,75             | 2,62              | 3,50              | 4,37              |                   |
| diameter (ft)     | 2.87            | 5.74             | 8.61              | 11.48             | 14.35             |                   |
| BEAM ANGLE 64°    |                 |                  |                   |                   |                   |                   |
| lux center (lx)   | 390             | 98               | 43                | 24                | 16                |                   |
| foot candles (fc) | 36,25           | 9,06             | 4,03              | 2,27              | 1,45              |                   |
| diameter (cm)     | 6,25            | 12,50            | 18,75             | 24,99             | 31,24             |                   |
| diameter (ft)     | 20.50           | 41.00            | 61.50             | 82.00             | 102.50            |                   |

### ACCESSORIES INCLUDED

- 1 x Filterframe Black finishing - already mounted on the unit

### ACCESSORIES ON REQUEST

- Floor Stand max10kg (code 0521A013)
- Universal Hook Clamp - Max load 40 Kg - 88 lbs (code 0521A047)
- Safety cable - 3 x 600 mm - max. capacity load 30 Kg (code 0521A010)
- Lamp 1000 W GX9,5 CP70 (code 0505A042)
- Lamp 650 W GX9,5 CP23 (code 0505A007)
- Barndoor Black (code 03.TBD04)

|                   | SCENA S 1000 FR | mt 5<br>ft 16.40 | mt 10<br>ft 32.81 | mt 15<br>ft 49.21 | mt 20<br>ft 65.62 | mt 25<br>ft 82.02 |
|-------------------|-----------------|------------------|-------------------|-------------------|-------------------|-------------------|
| BEAM ANGLE 13°    |                 |                  |                   |                   |                   |                   |
| lux center (lx)   | 4660            | 1165             | 518               | 291               | 186               |                   |
| foot candles (fc) | 433,09          | 108,27           | 48,12             | 27,07             | 17,32             |                   |
| diameter (cm)     | 1,14            | 2,28             | 3,42              | 4,56              | 5,70              |                   |
| diameter (ft)     | 3.74            | 7.48             | 11.21             | 14.95             | 18.69             |                   |
| BEAM ANGLE 56°    |                 |                  |                   |                   |                   |                   |
| lux center (lx)   | 500             | 125              | 56                | 31                | 20                |                   |
| foot candles (fc) | 46,47           | 11,62            | 5,16              | 2,90              | 1,86              |                   |
| diameter (cm)     | 5,32            | 10,63            | 15,95             | 21,27             | 26,59             |                   |
| diameter (ft)     | 17.44           | 34.89            | 52.33             | 69.78             | 87.22             |                   |

### FEATURES



### OPTIONALS

### CERTIFICATIONS



### CODES

#### SCENA S 650/1000

- FR - LENS FRESNEL - 03.TS012.F
- PC - LENS ANTIHALO - 03.TS012.A

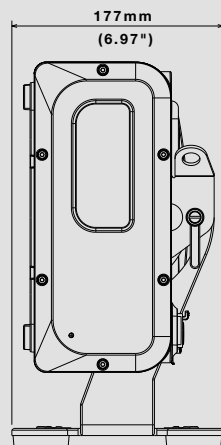
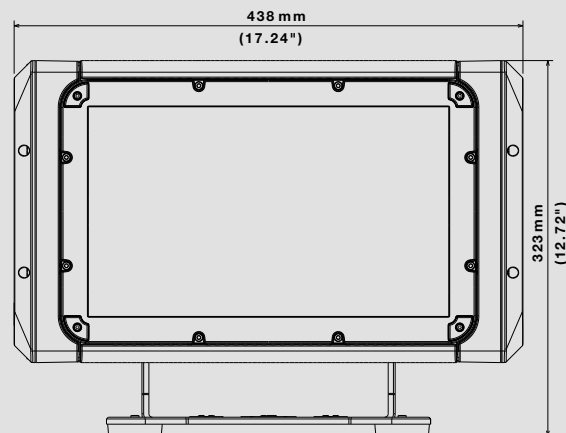




# X BRICK



HIGH POWER, COMPACT, SELF-CONTAINED IP65 LED WASH LIGHT, WITH INTERCHANGEABLE PROJECTION ANGLES



## TECHNICAL DATA

### OUTPUT

- 32 OSTAR STAGE "N" Full Color (RGBW) LEDs
- Lumens output: 15,300
- LED lifespan: 50,000 hours (70% lumen output)

### OPTICAL GROUP

- 8° projection angle
- Range of quick-mounting holographic filters included: 20° / 40° / 60°x10° (no mounting tools required)
- Uniform projection on surfaces

### COLOR GENERATION

- 16 million colors
- Wide palette of pure uniform whites
- Variable linear color temperature (2700 K – 8000 K)
- 16 gel filter emulations

### CONTROL

- DMX 512 / RDM control
- Wireless DMX transmitter - receiver (built-in)
- LCD display + 4 capacitive touch keys
- Firmware updatable via DTS firmware uploader dongle

### DMX - 9 DMX modes

- DMX FULL OPERATION MODES
  - 1.Chase mode (default)
  - 2.Extended mode
  - 3.Sectors RGBW x4
  - 4.Sectors RGBW fine x4
  - 5.Sectors RGBW + Shut + Dim x4
- DMX SINGLE LAYER MODES (compatibility with all BRICK models)
  6. Standard
  7. Global RGBW
  8. Global RGBW + Shut + Dim
  9. Global RGBW + Dim Fine

### POWER SUPPLY

- Built-in Wide-range PSU 100-240Vac 50-60 Hz
- Power consumption: 650 W
- Power Factor: PF > 0.93

### CONNECTIONS

- All connectors are IP65 rated with water-proof caps
- Power supply: PowerCon TRUE1 In/Out panel connectors
- DMX In/Out: XLR 5-pole In/Out panel connectors

### CIRCUITS PROTECTION

- Overvoltage and overtemperature circuits protection

### OPERATING TEMPERATURE

- -20° / 40° C

### PHYSICAL

- IP65
- Weight: 14 Kg (31 lbs)
- Finishing: Black

## ACCESSORIES INCLUDED

- 1 x Holographic filter 20° (code 0506A043.D18)
- 1 x Holographic filter 40° (code 0506A045.D18)
- 1 x Holographic filter 60°x10° (code 0506A092.D18)
- 1 x cable with PowerCON TRUE1 female connector (code 02K0012267.0015)
- 1 x XLR 5-pole IP65 female cable connector (code 0508B177)
- 1 x XLR 5-pole IP65 male cable connector (code 0508B178)
- 1 x Display UV protection (code 03.LA.218)
- 1 x Omega bracket with "Fast Lock" connection 1/4 turn (code 02K00467)

## ACCESSORIES ON REQUEST

- Holographic filter (complete list in the accessories section)
- Barndoor black finishing (code 03.LA.237.11)
- Visor black finishing (code 03.LA.236.11)
- Aliscraf clamp for tube diameter 48-51 mm - max. load. 200 Kg (code 0521A033)
- G-QUICK clamp professional - max. load 100 Kg (code 0521A037)
- Universal Hook Clamp - Max load 40 Kg - 88 lbs (code 0521A047)
- Flightcase for 4 units (code 0521C076)
- Outdoor DMX cable 2 x 0,25 mm<sup>2</sup> - Flame retardant (code 0509C158)
- Safety cable 5 x 600 mm - Max load 60 Kg (code 0521A038)
- DTS firmware uploader dongle (code 03.LA.206)

## PHOTOMETRIC DATA

### ULTRA-NARROW lenses

|                  | ULTRA-NARROW lenses |                   |                   |                   |                   | ULTRA-NARROW lenses + 20° holo. filter |                  |                  |                   |                   |       |                  |
|------------------|---------------------|-------------------|-------------------|-------------------|-------------------|--|------------------|------------------|-------------------|-------------------|-------|------------------|
|                  | mt 5<br>ft 16.40    | mt 10<br>ft 32.81 | mt 15<br>ft 49.21 | mt 20<br>ft 65.62 | mt 25<br>ft 82.02 | mt 3<br>ft 9.84                        | mt 6<br>ft 19.68 | mt 9<br>ft 29.53 | mt 12<br>ft 39.37 | mt 15<br>ft 49.21 |       |                  |
| RED              | 6019                | 1505              | 669               | 376               | 241               | lux center (lx)                        | 2525             | 631              | 281               | 158               | 101   | RED              |
|                  | 559                 | 140               | 62                | 35                | 22                | foot candles (fc)                      | 235              | 59               | 26                | 15                | 9     |                  |
| GREEN            | 11030               | 2758              | 1226              | 689               | 441               | lux center (lx)                        | 4506             | 1126             | 501               | 282               | 180   | GREEN            |
|                  | 1025                | 256               | 114               | 64                | 41                | foot candles (fc)                      | 419              | 105              | 47                | 26                | 17    |                  |
| BLUE             | 2600                | 650               | 289               | 163               | 104               | lux center (lx)                        | 858              | 215              | 95                | 54                | 34    | BLUE             |
|                  | 242                 | 60                | 27                | 15                | 10                | foot candles (fc)                      | 80               | 20               | 9                 | 5                 | 3     |                  |
| WHITE            | 15670               | 3918              | 1741              | 979               | 627               | lux center (lx)                        | 6764             | 1691             | 752               | 423               | 271   | WHITE            |
|                  | 1456                | 364               | 162               | 91                | 58                | foot candles (fc)                      | 629              | 157              | 70                | 39                | 25    |                  |
| FULL<br>RGBW     | 27100               | 6775              | 3011              | 1694              | 1084              | lux center (lx)                        | 11597            | 2899             | 1289              | 725               | 464   | FULL<br>RGBW     |
|                  | 2519                | 630               | 280               | 157               | 101               | foot candles (fc)                      | 1078             | 269              | 120               | 67                | 43    |                  |
| BEAM<br>ANGLE 8° | 70                  | 140               | 210               | 280               | 350               | diameter (cm)                          | 106              | 212              | 317               | 423               | 529   | BEAM<br>ANGLE 8° |
|                  | 2.29                | 4.59              | 6.88              | 9.18              | 11.47             | diameter (ft)                          | 3.47             | 6.94             | 10.41             | 13.88             | 17.35 |                  |

### ULTRA-NARROW lenses + 40° holo. filter

|                   | ULTRA-NARROW lenses + 40° holo. filter |                  |                  |                  |                   | ULTRA-NARROW lenses + 60°x10° holo. filter |                  |                  |                  |                   |       |                             |
|-------------------|--|------------------|------------------|------------------|-------------------|--|------------------|------------------|------------------|-------------------|-------|-----------------------------|
|                   | mt 2<br>ft 6.56                        | mt 4<br>ft 13.12 | mt 6<br>ft 19.68 | mt 8<br>ft 26.25 | mt 10<br>ft 32.81 | mt 2<br>ft 6.56                            | mt 4<br>ft 13.12 | mt 6<br>ft 19.68 | mt 8<br>ft 26.25 | mt 10<br>ft 32.81 |       |                             |
| RED               | 1368                                   | 342              | 152              | 86               | 55                | lux center (lx)                            | 3608             | 902              | 401              | 226               | 144   | RED                         |
|                   | 127                                    | 32               | 14               | 8                | 5                 | foot candles (fc)                          | 335              | 84               | 37               | 21                | 13    |                             |
| GREEN             | 2421                                   | 605              | 269              | 151              | 97                | lux center (lx)                            | 6164             | 1541             | 685              | 385               | 247   | GREEN                       |
|                   | 225                                    | 56               | 25               | 14               | 9                 | foot candles (fc)                          | 573              | 143              | 64               | 36                | 23    |                             |
| BLUE              | 509                                    | 127              | 57               | 32               | 20                | lux center (lx)                            | 1250             | 313              | 139              | 78                | 50    | BLUE                        |
|                   | 47                                     | 12               | 5                | 3                | 2                 | foot candles (fc)                          | 116              | 29               | 13               | 7                 | 5     |                             |
| WHITE             | 3697                                   | 924              | 411              | 231              | 148               | lux center (lx)                            | 9500             | 2375             | 1056             | 594               | 380   | WHITE                       |
|                   | 344                                    | 86               | 38               | 21               | 14                | foot candles (fc)                          | 883              | 221              | 98               | 55                | 35    |                             |
| FULL<br>RGBW      | 6242                                   | 1560             | 694              | 390              | 250               | lux center (lx)                            | 16320            | 4080             | 1813             | 1020              | 653   | FULL<br>RGBW                |
|                   | 580                                    | 145              | 64               | 36               | 23                | foot candles (fc)                          | 1517             | 379              | 169              | 95                | 61    |                             |
| BEAM<br>ANGLE 40° | 146                                    | 291              | 437              | 582              | 728               | diameter (cm)                              | 231              | 462              | 693              | 924               | 1155  | BEAM<br>ANGLE 40°<br>X-axis |
|                   | 4.78                                   | 9.55             | 14.33            | 19.11            | 23.88             | diameter (ft)                              | 7.58             | 15.15            | 22.73            | 30.31             | 37.88 |                             |
|                   |  |                  |                  |                  |                   | diameter (cm)                              | 35               | 70               | 105              | 140               | 175   | BEAM<br>ANGLE 40°<br>Y-axis |
|                   |  |                  |                  |                  |                   | diameter (ft)                              | 1.15             | 2.30             | 3.44             | 4.59              | 5.74  |                             |

## FEATURES



## OPTIONALS

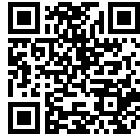
## CERTIFICATIONS



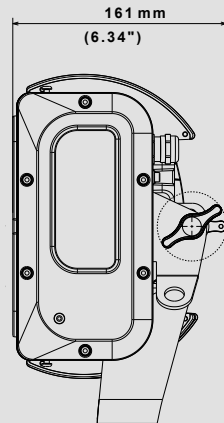
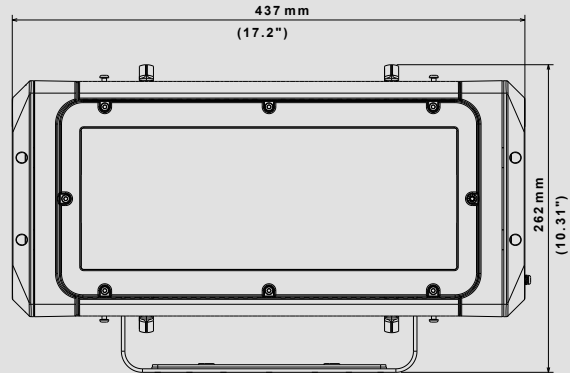
## CODE

**03.LDB130S11FC**

# BRICK



HIGH POWER, COMPACT, SELF-CONTAINED IP65 LED WASH LIGHT, WITH INTERCHANGEABLE PROJECTION ANGLES



## TECHNICAL DATA

### OUTPUT

- 24 OSTAR STAGE "N" RGBW or RGBA (HQS) LEDs
- Lumen output (RGBW): 11,500
- Lumen output (HQS): 10,800 - CRI >90
- LED lifespan: 50,000 hours (70% lumen output)

### OPTICAL GROUP

- 8° projection angle
- Range of quick-mounting holographic filters included: 20° / 40° / 60°x10° (no mounting tools required)
- Uniform projection on surfaces

### COLOR GENERATION

- 16 million colors
- Wide palette of pure uniform whites
- Variable linear color temperature (2700 K – 8000 K)

### CONTROL

- DMX 512 / RDM control
- 4-digit 7-segment LED display + 4 soft keys
- Firmware updatable via DTS firmware uploader dongle

### DMX

- 10 DMX channels (Default)

### POWER SUPPLY

- Built-in Wide-range PSU 100-240Vac 50-60 Hz
- Power consumption: 400 W
- Power Factor: PF > 0.93

### CONNECTIONS

- Power supply: 3 x 1 sq mm cable (1.5 m length)
- DMX In/Out: 0.7 m cable with XLR 5 pins IP65 connector

### CIRCUITS PROTECTION

- Overvoltage and overtemperature circuits protection

### OPERATING TEMPERATURE

-20° / 45° C

### PHYSICAL

- IP65
- Weight: 10 Kg (22 lbs)
- Finishing: Black

## CODES

**RGBW LEDS - 03.LDB100S11FC**

**RGBA LEDS - 03.LDB100S11FY**

## FEATURES



## OPTIONALS

## CERTIFICATIONS



## ACCESSORIES INCLUDED

- 1 x Holographic filter 20° (code 0506A043.D11)
- 1 x Holographic filter 40° (code 0506A045.D11)
- 1 x Holographic filter 60°x10° (code 0506A092.D11)
- 1 x PowerCON TRUE1 female cable connector (code 0520P066)
- 1 x PowerCON TRUE1 male cable connector (code 0520P067)
- 1 x Display UV protection (code 03.LA.218)
- 1 x Omega bracket with "Fast Lock" connection 1/4 turn (code 02K00467) – already mounted on the unit

## ACCESSORIES ON REQUEST

- Lenses set Narrow 12° (code 03.LK.274.46)
- Lenses set Medium 28° (code 03.LK.275.46)
- Lenses set Wide 38° (code 03.LK.276.46)
- Holographic filter (complete list in the accessories section)
- Floor stand for ground installation (code 03.LA.213)
- Visor black finishing (code 03.LA.229.11)
- Barndoor black finishing (code 03.LA.210)
- Permanent installation kit IP68: Power In IP68 cable connector + 2 x DMX In/Out IP68 cable connectors (code 03.LA.214)
- Universal Hook Clamp - Max load 40 Kg - 88 lbs (code 0521A047)
- Aliscap clamp for tube diameter 48-51 mm - max. load. 200 Kg (code 0521A033)
- G-QUICK clamp professional - max. load 100 Kg (code 0521A037)
- Flightcase for 6 units (code 0521C068)
- Outdoor DMX cable 2 x 0.25 mm<sup>2</sup> - Flame retardant (code 0509C158)
- Safety cable 5 x 600 mm - max capacity load 60 Kg (code 0521A038)
- DTS firmware uploader dongle (code 03.LA.206)

## PHOTOMETRIC DATA

### ULTRA-NARROW lenses

|               | ULTRA-NARROW lenses |                   |                   |                   |                   |                   | ULTRA-NARROW lenses + 20° holo. filter |                  |                  |                   |                   |               |
|---------------|---------------------|-------------------|-------------------|-------------------|-------------------|-------------------|--|------------------|------------------|-------------------|-------------------|---------------|
|               | mt 5<br>ft 16.40    | mt 10<br>ft 32.81 | mt 15<br>ft 49.21 | mt 20<br>ft 65.62 | mt 25<br>ft 82.02 |                   | mt 3<br>ft 9.84                        | mt 6<br>ft 19.68 | mt 9<br>ft 29.53 | mt 12<br>ft 39.37 | mt 15<br>ft 49.21 |               |
| RED           | 4066                | 1017              | 452               | 254               | 163               | lux center (lx)   | 1631                                   | 408              | 181              | 102               | 65                | RED           |
|               | 378                 | 94                | 42                | 24                | 15                | foot candles (fc) | 152                                    | 38               | 17               | 9                 | 6                 |               |
| GREEN         | 6647                | 1662              | 739               | 415               | 266               | lux center (lx)   | 3217                                   | 804              | 357              | 201               | 129               | GREEN         |
|               | 618                 | 154               | 69                | 39                | 25                | foot candles (fc) | 299                                    | 75               | 33               | 19                | 12                |               |
| BLUE          | 545                 | 136               | 61                | 34                | 22                | lux center (lx)   | 267                                    | 67               | 30               | 17                | 11                | BLUE          |
|               | 51                  | 13                | 6                 | 3                 | 2                 | foot candles (fc) | 25                                     | 6                | 3                | 2                 | 2                 |               |
| WHITE         | 9940                | 2485              | 1104              | 621               | 398               | lux center (lx)   | 3842                                   | 960              | 427              | 240               | 154               | WHITE         |
|               | 924                 | 231               | 103               | 58                | 37                | foot candles (fc) | 357                                    | 89               | 40               | 22                | 14                |               |
| FULL RGBW     | 14277               | 3569              | 1586              | 892               | 571               | lux center (lx)   | 6083                                   | 1521             | 676              | 380               | 243               | FULL RGBW     |
|               | 1327                | 332               | 147               | 83                | 53                | foot candles (fc) | 565                                    | 141              | 63               | 35                | 23                |               |
| BEAM ANGLE 8° | 70                  | 140               | 210               | 280               | 350               | diameter (cm)     | 106                                    | 212              | 317              | 423               | 529               | BEAM ANGLE 8° |
|               | 2.29                | 4.59              | 6.88              | 9.18              | 11.47             | diameter (ft)     | 3.47                                   | 6.94             | 10.41            | 13.88             | 17.35             |               |

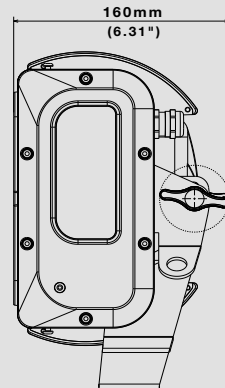
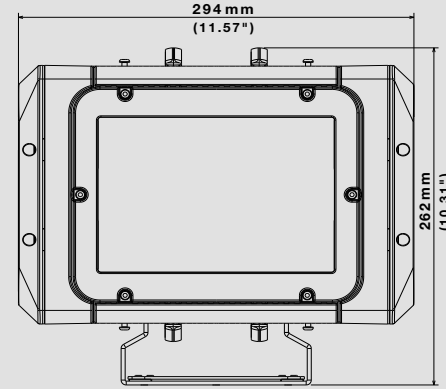
### ULTRA-NARROW lenses + 40° holo. filter

|                       | ULTRA-NARROW lenses + 40° holo. filter |                  |                  |                  |                   |                   | ULTRA-NARROW lenses + 60°x10° holo. filter |                  |                  |                  |                   |                       |
|-----------------------|--|------------------|------------------|------------------|-------------------|-------------------|--|------------------|------------------|------------------|-------------------|-----------------------|
|                       | mt 2<br>ft 6.56                        | mt 4<br>ft 13.12 | mt 6<br>ft 19.68 | mt 8<br>ft 26.25 | mt 10<br>ft 32.81 |                   | mt 2<br>ft 6.56                            | mt 4<br>ft 13.12 | mt 6<br>ft 19.68 | mt 8<br>ft 26.25 | mt 10<br>ft 32.81 |                       |
| RED                   | 1231                                   | 308              | 137              | 77               | 49                | lux center (lx)   | 2500                                       | 625              | 278              | 156              | 100               | RED                   |
|                       | 114                                    | 29               | 13               | 7                | 5                 | foot candles (fc) | 232  | 58               | 26               | 15               | 9                 |                       |
| GREEN                 | 2506                                   | 627              | 278              | 157              | 100               | lux center (lx)   | 4781                                       | 1195             | 531              | 299              | 191               | GREEN                 |
|                       | 233                                    | 58               | 26               | 15               | 9                 | foot candles (fc) | 444  | 111              | 49               | 28               | 18                |                       |
| BLUE                  | 200                                    | 50               | 22               | 13               | 8                 | lux center (lx)   | 400  | 100              | 44               | 25               | 16                | BLUE                  |
|                       | 19                                     | 5                | 2                | 2                | 2                 | foot candles (fc) | 37   | 9                | 4                | 2                | 2                 |                       |
| WHITE                 | 2981                                   | 745              | 331              | 186              | 119               | lux center (lx)   | 6069                                       | 1517             | 674              | 379              | 243               | WHITE                 |
|                       | 277                                    | 69               | 31               | 17               | 11                | foot candles (fc) | 564  | 141              | 63               | 35               | 23                |                       |
| FULL RGBW             | 4488                                   | 1122             | 499              | 280              | 180               | lux center (lx)   | 9063                                       | 2266             | 1007             | 566              | 363               | FULL RGBW             |
|                       | 417                                    | 104              | 46               | 26               | 17                | foot candles (fc) | 842  | 211              | 94               | 53               | 34                |                       |
| BEAM ANGLE 40° X-axis | 146                                    | 291              | 437              | 582              | 728               | diameter (cm)     | 231  | 462              | 693              | 924              | 1155              | BEAM ANGLE 40° X-axis |
|                       | 4.78                                   | 9.55             | 14.33            | 19.11            | 23.88             | diameter (ft)     | 7.58                                       | 15.15            | 22.73            | 30.31            | 37.88             |                       |
| BEAM ANGLE 40° Y-axis |  |                  |                  |                  |                   | diameter (cm)     | 35   | 70               | 105              | 140              | 175               | BEAM ANGLE 40° Y-axis |
|                       |  |                  |                  |                  |                   | diameter (ft)     | 1.15                                       | 2.30             | 3.44             | 4.59             | 5.74              |                       |

# MINI BRICK



EXTRA-COMPACT, SELF-CONTAINED  
IP65 LED WASH LIGHT, WITH  
INTERCHANGEABLE PROJECTION  
ANGLES



## TECHNICAL DATA

### OUTPUT

- 12 OSTAR STAGE "N" RGBW or RGBA (HQS) LEDs
- Lumen output (RGBW): 5,800
- Lumen output (HQS): 5,448 - CRI >90
- LED lifespan: 50,000 hours (70% lumen output)

### OPTICAL GROUP

- 8° projection angle
- Range of quick-mounting holographic filters included: 20° / 40° / 60°x10° (no mounting tools required)
- Uniform projection on surfaces

### COLOR GENERATION

- 16 million colors
- Wide palette of pure uniform whites
- Variable linear color temperature (2700 K – 8000 K)

### CONTROL

- DMX 512 / RDM control
- 4-digit 7-segment LED display + 4 soft keys
- Firmware updatable via DTS firmware uploader dongle

### DMX

- 10 DMX channels (Default)

### POWER SUPPLY

- Built-in Wide-range PSU 100-240Vac 50-60 Hz
- Power consumption: 200 W
- Power Factor: PF > 0.94

### CONNECTIONS

- Power supply: 3 x 1 sq mm cable (1.5 m length)
- DMX In/Out: 0.7 m cable with XLR 5 pins IP65 connector

### CIRCUITS PROTECTION

- Overvoltage and overtemperature circuits protection

### OPERATING TEMPERATURE

-20° / 45° C

### PHYSICAL

- IP65
- Weight: 7 Kg (15.4 lbs)
- Finishing: Black

## ACCESSORIES INCLUDED

- 1 x Holographic filter 20° (code 0506A043.D12)
- 1 x Holographic filter 40° (code 0506A045.D12)
- 1 x Holographic filter 60°x10° (code 0506A092.D12)
- 1 x PowerCON TRUE1 female cable connector (code 0520P066)
- 1 x PowerCON TRUE1 male cable connector (code 0520P067)
- 1 x Display UV protection (code 03.LA.218)
- 1 x Omega bracket with "Fast Lock" connection 1/4 turn (code 02K00467) – already mounted on the unit

## ACCESSORIES ON REQUEST

- Lenses set Narrow 12° (code 03.LK.270.46)
- Lenses set Medium 28° (code 03.LK.271.46)
- Lenses set Wide 38° (code 03.LK.272.46)
- Holographic filter (complete list in the accessories section)
- Floor stand for ground installation (code 03.LA.213)
- Visor black finishing (code 03.LA.230.11)
- Barn door black finishing (code 03.LA.211)
- Permanent installation kit IP68: Power IN IP68 cable connector + 2 x DMX In/Out IP68 cable connectors (code 03.LA.214)
- Universal Hook Clamp - Max load 40 Kg - 88 lbs (code 0521A047)
- Aliscaf clamp for tube diameter 48-51 mm - max. load. 200 Kg (code 0521A033)
- G-QUICK clamp professional - max. load 100 Kg (code 0521A037)
- Outdoor DMX cable 2 x 0,25 mm<sup>2</sup> - Flame retardant (code 0509C158)
- Safety cable 5 x 600 mm - max capacity load 60 Kg (code 0521A038)
- DTS firmware uploader dongle (code 03.LA.206)

## PHOTOMETRIC DATA

### ULTRA-NARROW lenses

|                  | ULTRA-NARROW lenses |                   |                   |                   |                   |                   | ULTRA-NARROW lenses + 20° holo. filter |                  |                  |                   |                   |                  |
|------------------|---------------------|-------------------|-------------------|-------------------|-------------------|-------------------|--|------------------|------------------|-------------------|-------------------|------------------|
|                  | mt 5<br>ft 16.40    | mt 10<br>ft 32.81 | mt 15<br>ft 49.21 | mt 20<br>ft 65.62 | mt 25<br>ft 82.02 |                   | mt 3<br>ft 9.84                        | mt 6<br>ft 19.68 | mt 9<br>ft 29.53 | mt 12<br>ft 39.37 | mt 15<br>ft 49.21 |                  |
| RED              | 2384                | 596               | 265               | 149               | 95                | lux center (lx)   | 812                                    | 203              | 90               | 51                | 32                | RED              |
|                  | 222                 | 55                | 25                | 14                | 9                 | foot candles (fc) | 75                                     | 19               | 8                | 5                 | 3                 | RED              |
| GREEN            | 4310                | 1078              | 479               | 269               | 172               | lux center (lx)   | 1605                                   | 401              | 178              | 100               | 64                | GREEN            |
|                  | 401                 | 100               | 45                | 25                | 16                | foot candles (fc) | 149                                    | 37               | 17               | 9                 | 6                 | GREEN            |
| BLUE             | 315                 | 79                | 35                | 20                | 13                | lux center (lx)   | 130                                    | 33               | 14               | 8                 | 5                 | BLUE             |
|                  | 29                  | 7                 | 3                 | 2                 | 1                 | foot candles (fc) | 12                                     | 3                | 2                | 2                 | 1                 | BLUE             |
| WHITE            | 5282                | 1321              | 587               | 330               | 211               | lux center (lx)   | 1918                                   | 480              | 213              | 120               | 77                | WHITE            |
|                  | 491                 | 123               | 55                | 31                | 20                | foot candles (fc) | 178                                    | 45               | 20               | 11                | 7                 | WHITE            |
| FULL<br>RGBW     | 6767                | 1692              | 752               | 423               | 271               | lux center (lx)   | 3038                                   | 760              | 338              | 190               | 122               | FULL<br>RGBW     |
|                  | 629                 | 157               | 70                | 39                | 25                | foot candles (fc) | 282                                    | 71               | 31               | 18                | 11                | FULL<br>RGBW     |
| BEAM<br>ANGLE 8° | 70                  | 140               | 210               | 280               | 350               | diameter (cm)     | 106                                    | 212              | 317              | 423               | 529               | BEAM<br>ANGLE 8° |
|                  | 2.29                | 4.59              | 6.88              | 9.18              | 11.47             | diameter (ft)     | 3.47                                   | 6.94             | 10.41            | 13.88             | 17.35             | BEAM<br>ANGLE 8° |

### ULTRA-NARROW lenses + 40° holo. filter

|                   | ULTRA-NARROW lenses + 40° holo. filter |                  |                  |                  |                   |                   | ULTRA-NARROW lenses + 60°x10° holo. filter |                  |                  |                  |                   |                             |
|-------------------|--|------------------|------------------|------------------|-------------------|-------------------|--|------------------|------------------|------------------|-------------------|-----------------------------|
|                   | mt 2<br>ft 6.56                        | mt 4<br>ft 13.12 | mt 6<br>ft 19.68 | mt 8<br>ft 26.25 | mt 10<br>ft 32.81 |                   | mt 2<br>ft 6.56                            | mt 4<br>ft 13.12 | mt 6<br>ft 19.68 | mt 8<br>ft 26.25 | mt 10<br>ft 32.81 |                             |
| RED               | 612                                    | 153              | 68               | 38               | 24                | lux center (lx)   | 1247                                       | 312              | 139              | 78               | 50                | RED                         |
|                   | 57                                     | 14               | 6                | 4                | 2                 | foot candles (fc) | 116  | 29               | 13               | 7                | 5                 | RED                         |
| GREEN             | 1250                                   | 313              | 139              | 78               | 50                | lux center (lx)   | 2387                                       | 597              | 265              | 149              | 95                | GREEN                       |
|                   | 116                                    | 29               | 13               | 7                | 5                 | foot candles (fc) | 222  | 55               | 25               | 14               | 9                 | GREEN                       |
| BLUE              | 97                                     | 24               | 11               | 6                | 4                 | lux center (lx)   | 197  | 49               | 22               | 12               | 8                 | BLUE                        |
|                   | 9                                      | 2                | 2                | 2                | 1                 | foot candles (fc) | 18   | 5                | 2                | 2                | 2                 | BLUE                        |
| WHITE             | 1487                                   | 372              | 165              | 93               | 59                | lux center (lx)   | 3030                                       | 758              | 337              | 189              | 121               | WHITE                       |
|                   | 138                                    | 35               | 15               | 9                | 6                 | foot candles (fc) | 282  | 70               | 31               | 18               | 11                | WHITE                       |
| FULL<br>RGBW      | 2240                                   | 560              | 249              | 140              | 90                | lux center (lx)   | 4527                                       | 1132             | 503              | 283              | 181               | FULL<br>RGBW                |
|                   | 208                                    | 52               | 23               | 13               | 8                 | foot candles (fc) | 421  | 105              | 47               | 26               | 17                | FULL<br>RGBW                |
| BEAM<br>ANGLE 40° | 146                                    | 291              | 437              | 582              | 728               | diameter (cm)     | 231  | 462              | 693              | 924              | 1155              | BEAM<br>ANGLE 40°<br>X-axis |
|                   | 4.78                                   | 9.55             | 14.33            | 19.11            | 23.88             | diameter (ft)     | 7.58                                       | 15.15            | 22.73            | 30.31            | 37.88             | BEAM<br>ANGLE 40°<br>Y-axis |
|                   |  |                  |                  |                  |                   | diameter (cm)     | 35   | 70               | 105              | 140              | 175               |                             |
|                   |  |                  |                  |                  |                   | diameter (ft)     | 1.15                                       | 2.30             | 3.44             | 4.59             | 5.74              |                             |

## FEATURES



## OPTIONALS

## CERTIFICATIONS



## CODES

RGBW LEDS - 03.LDB120S11FC

RGBA LEDS - 03.LDB120S11FY



# STICK DE3



## WALL MOUNTING DMX CONTROLLER KEYPAD



The feature-rich STICK-DE3 has been designed to provide an ergonomic easy to manage control for the most demanding lighting installations.

Flat wall mounted lighting controller, state of the art design and technology Ideal for LED, RGB and DMX lighting.

The controller integrates a graphical color display allowing scene photos to be displayed. Easily view the selected zone, scene name and design without the need to navigate through complex menus.

### CONTROL

- DMX 512 protocol
- Graphic color display + touch wheel and keys
- Programming via Pc, Mac, tablet, smarthphone
- MicroSD memory

### CONNECTIONS

- USB, Ethernet, RS232, 8 Dry contact ports and IR Input port

### CONNECTIONS

- IP20
- Dimensions: 146 x 106 x 11 mm
- Weight: 247 g (0.55 lbs)
- Finishing: black

### FEATURES



### OPTIONALS

### CERTIFICATIONS



### CODE

**03.LA.152**

### FEATURES



### OPTIONALS

### CERTIFICATIONS



## DMX CONTROLLER INTERFACE



# MASTER SOFTWARE 4

DMX MASTER SOFTWARE 4 is a DMX light control software for PC (Windows / Mac), supplied bundled with the DMX 512 IN / OUT V.4 interface. Easy to program thanks to a rich graphic interface. Convenient for all kinds of performances; the easiest software (New Version V.4) for show programming.

### CONTROL

- Management of lighting groups and fixtures functions

### PROGRAMABILITY

- Automatic change of lightings address
- Unlimited scenes, programs, steps, series, sequences and effects
- Virtual scenes; Scenes generator
- Big fixtures internal library \*Musical synchronization available (BPM, MP3, WAV and Audio In)
- Compatible with all DMX projectors
- Compatible USB 1 and 2
- 1024 DMX channels / 512 DMX channels out in Stand alone mode
- Internal storage and 2 buttons to choose scenes in Stand-alone mode
- Connection HE10, to play scenes and effects using an external controller
- The software can control up to 6 Box interfaces contemporarely.



### CODE

**03.E1331**

# SPLITTER



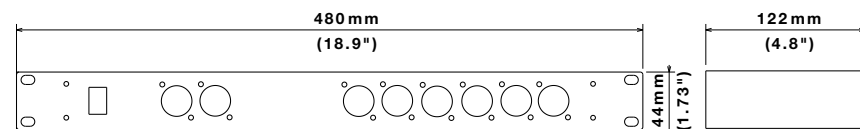
## DISTRIBUTOR / AMPLIFIER OF DMX SIGNALS

SPLITTER DMX PRO is a fully optically and galvanically isolated 6-way DMX splitter with real-time DMX line test. The unit is also available as SPLITTER DMX version (only optically isolated).  
**SPLITTER DMX PRO lets you obtain the best of any DMX chain:** the incoming DMX signal is optically and galvanically isolated to fully protect the control desk, amplified, and re-transmitted to the 6 DMX Outs. This way you can safely connect up to 192 DMX units (up to 32 for each DMX Out) to a 1,000 meters max distance.

- CONTROL**
- 1 DMX In / 6 independent DMX Outs
  - DMX inputs and outputs with 5-pole XRL connectors by Neutrik
  - Power supply 180-240Vac 50-60 Hz

- SAFETY**
- DMX overvoltage circuit protection
  - Opto-isolated DMX channels
  - Status LEDs: LED indicator of device power ON
  - Mains input protection fuse

- PHYSICS**
- IP20
  - 1U Rack mountable
  - Weight: 2.3 Kg (5 lbs)



FEATURES



OPTIONALS

CERTIFICATIONS



CODE  
**0521S016**

# PROFESSIONAL DIMMERS



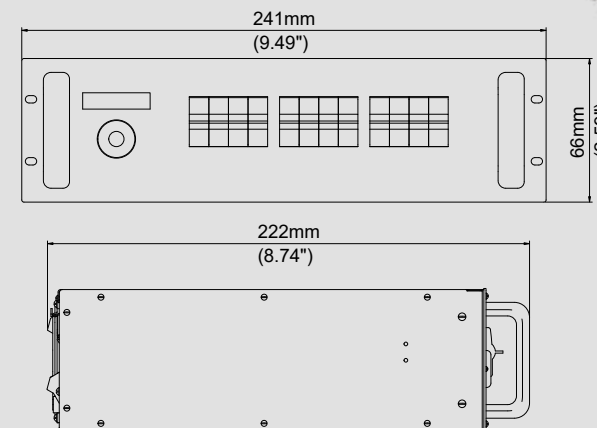
# DPU 1213

DPU 1213 is a 3-phase 380V 50Hz professional dimmers for SCENA S line and PROFILO line. The unit is controllable either manually or via DMX with 12-channel dimmer pack for resistance or induction loads.

**MAX CURRENT OUTPUT**  
 13A per channel

- POWER SUPPLY**
- 3-phase 380V 50Hz
  - Dimensions 3U rack units

- PHYSICS**
- IP20
  - Weight: 15.2 Kg (33.5 lbs)



FEATURES



OPTIONALS

CERTIFICATIONS



CODE  
**03.DC006**



**BARNDOOR  
03.TA206**

Barndoor  
 • SCENA LED 80 series  
 • SCENA LED 120 HQS

**BARNDOOR  
03.TBD04**

Barndoor  
 • SCENA S 650/1000  
 • SCENA LED 200 series

**BARNDOOR  
02M09594.46**

Single-side light shield  
 • FOS 100 series

**BARNDOOR  
03.LA.142**

Barndoor and Holographic Filter holder  
 • FOS 100 series  
 (3 Kits needed)

**BARNDOOR  
03.LA.237.11**

Barndoor  
 • X BRICK

**BARNDOOR  
03.LA.210**

Barndoor  
 • BRICK

**BARNDOOR  
03.LA.211**

Barndoor  
 • MINI BRICK

**BLADE  
02SK0429**

Shutter blade  
 • PROFILO LED 200 series

**CLAMP & BRACKET  
02K00467**

OMEGA BRACKET with "Fast Lock" connection 1/4 turn  
 • FOS (if used with 03.LA.024)

**CLAMP & BRACKET  
0521A033**

ALISCAF clamp with Fast-Lock system \*Certified Max. Load 200 Kg (440 lbs)  
 \*For Ø50mm (2") tubes

INDICATED FOR VERTICAL AND HORIZONTAL LOAD

• MOVING HEADS  
 • BRICK series

**CLAMP & BRACKET  
0521A037**

G-QUICK clamp Professional Max. load 100 Kg (220 lbs)  
 \*Professional high-quality clamp \*Included with M12 bolt & wingnut  
 \*Min/Mas tube size 38/51 mm (1.49/2")

NOT INDICATED FOR HORIZONTAL LOAD

• MOVING HEADS - DTS OMEGA CLAMP needed (code 02K00549 or 02K00467)  
 • KATANA  
 • FOS series  
 • BRICK series

**CLAMP & BRACKET  
03.LA.024**

FAST-LOCK BRACKET KIT FOS  
 \*included 2 pcs Brackets + its fixing plate  
 \*Short bracket kit for wall or floor fixed installation

• FOS 100 series (3 pcs needed)

**CLAMP & BRACKET  
03.LA.025**

Short bracket for wall installation  
 • FOS 100 series (2 pcs needed)

**CLAMP & BRACKET  
0521A047**

Universal Hook Clamp  
 Max load 40 Kg (88 lbs)

• SCENA series  
 • PROFILO series  
 • BRICK series

**CLAMP & BRACKET  
02SK0382**

Fos 100 line jointing truss Kit  
 • FOS 100

**CONNECTIONS KITS  
03.LA.214**

Permanent Installation KIT IP68  
 1 POWER + 2 DMX

• BRICK  
 • MINI BRICK

**CONNECTIONS KITS  
03.LA.216**

Permanent Installation KIT IP68  
 2 POWER + 2 DMX

• FOS 100 SOLO IP65 series

**DMX CABLE  
0509C158**

Outdoor DMX cable 2 x 0,25 mm<sup>2</sup> - Flame retardant

• All DMX fixtures

**FLIGHTCASE  
0521C073**

2 Units Flightcase  
 • Without protective foam shell  
 • Measures: 118x60x105 cm; 55 Kg

• SYNERGY 5 PROFILE  
 • SYNERGY 5 SPOT

**FLIGHTCASE  
0521C078**

2 Units Flightcase  
 • Without protective foam shell  
 • Measures: 120x60x83 cm; 50 Kg  
 (47.2x23.6x32.7 inch \*110 lbs)

• ALCHEMY 5

**FLIGHTCASE  
0521C069**

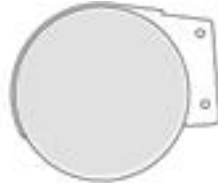
4 Units Flightcase  
 \*Dimensions: 105 x 61.5 x 21 cm  
 \*33 kg (41.3x24.2x8.2 inch \*72.8 lbs) \*with Recessed Wheels

• FOS 100 POWER SOLO  
 • FOS 100 DYNAMIC SOLO

**FLIGHTCASE  
0521C068**

6 Units Flightcase  
 \*Dimensions: 118 x 76 x 54 cm  
 \*47 kg (46.5 x 29.9 x 21.6 inch \*103.6 lbs)

• BRICK

**FROST FILTER**

**02SK0428**  
 Medium frost filter

**02SK0430**  
 Heavy frost filter

• SYNERGY 5 PROFILE  
 • SYNERGY 5 SPOT

**FIRMWARE UPLOADER  
DONGLE  
03.LA.206**

• All DMX fixtures

**FLIGHTCASE  
0521C065.2**

2 Units Flightcase

Dimensions: 86x64x85 cm; 43 Kg  
 (33.8x25.2x33.5 inch; 94.8 lbs)

• EVO  
 • CORE

**FLIGHTCASE  
0521C059.1**

4 Units Flightcase

Dimensions: 86x73x79 cm; 42 Kg  
 (33.8x28.7x31.1 inch; 92.6 lbs)

• NICK NRG 1401

**FLIGHTCASE  
0521C075**

6 Units Flightcase

Dimensions: 60x120x73 cm  
 (23.6x47.2x28.7 inch)

• SCENA LED 200 series

**FLOOR-STAND BLACK  
03.LA.213**

FLOOR STAND

• BRICK  
 • MINI BRICK

**GOBO HOLDER  
03.TA224**

Gobo holder Type M  
 \*Gobo size: 66mm (ext.), 48mm (figure) \*Max Gobo thickness allowed 3 mm (0.12") \*Suitable for Metal / Dichroic gobos

• PROFILO LED 120 HQS  
 • PROFILO LED 80 series

**FLIGHTCASE  
0521C080**

1 Units Flightcase

Dimensions: 69x64x73 cm; 49 Kg  
 (27.2x25.2x28.7 inch; 108 lbs)

• SYNERGY 7 PROFILE

**FLIGHTCASE  
0521C059.1**

4 Units Flightcase

Dimensions: 86x76x150 cm; 42 Kg  
 (33.9x30x59 inch; 92.6 lbs)

• RAPTOR

**FLIGHTCASE  
0521C066**

3 Units Flightcase

Dimensions: 86x85x63 cm; 43 Kg  
 (33.9x33.5x24.8 inch; 94.8 lbs)

• KATANA

**FLIGHTCASE  
0521C076**

4 Units Flightcase

Dimensions: 84.5x76x56 cm; 38 Kg  
 (33.3x29.9x22 inch; 83.8 lbs)

• X BRICK

**FLOOR-STAND BLACK  
0521A013**

FLOOR STAND \*max. load 10 Kg  
 (22 lbs)

• CONVENTIONAL LAMP PROJECTORS

**GOBO HOLDER  
03.TA226**

Gobo type B metal or glass  
 \*Ø external: 86 mm \*Ø of image: 60 mm \*Thickness: from 0,2 to 2 mm

• PROFILO LED 200 series



**HOLOGRAPHIC FILTER**

0506A101.D18 \*10° TAGL.D18  
 0506A103.D18 \*60° TAGL.D18  
 0506A119.D18 \*60°x30° T.D18  
 0506A121.D18 \*80° TAGL.D18

- X BRICK

**HOLOGRAPHIC FILTER**

0506A101.D11 \*10° TAGL.D11  
 0506A103.D11 \*60° TAGL.D11  
 0506A119.D11 \*60°x30° T.D11  
 0506A121.D11 \*80° TAGL.D11

- BRICK

**HOLOGRAPHIC FILTER**

0506A101.D12 \*10° TAGL.D12  
 0506A103.D12 \*60° TAGL.D12  
 0506A119.D12 \*60°x30° T.D12  
 0506A121.D12 \*80° TAGL.D12

- MINI BRICK

**SAFETY CABLE**  
0521A038

Safety Cable (5 x 600 mm)  
 Ring spring catch  
 Lifting power 60 Kg (132 lbs)

- All products ≤ 60 Kg

**VISOR**

03.LA.236.11  
 VISOR \*Black finishing

- X BRICK

**VISOR**  
03.LA.229.11

VISOR \*Black finishing

- BRICK

**HOLOGRAPHIC FILTER**

(More beam angles available on demand)

0506A092.D1 \*60°HX15°V  
 0506A093.D1 \*40°HX15°V  
 0506A094.D1 \*90°HX25°V  
 0506A102.D1 \*30°HX15°V  
 0506A103.D1 \*60°  
 0506A104.D1 \*80°

- FOS 100 and FOS 100 DYNAMIC (3 pcs needed)  
 To be used with barndoor  
 03.LA.142 Mount SPOT lenses  
 to obtain the best result

**HOLOGRAPHIC FILTER**

(More beam angles available on demand)

0506A092.D2 \*60°HX15°V  
 0506A093.D2 \*40°HX15°V  
 0506A094.D2 \*90°HX25°V  
 0506A102.D2 \*30°HX15°V  
 0506A103.D2 \*60°  
 0506A104.D2 \*80°

- FOS 100 POWER (2 pcs needed)  
 03.LA.142 Mount SPOT lenses  
 to obtain the best result

**VISOR**  
03.LA.230.11

VISOR \*Black finishing

- MINI BRICK

**INSTALLATION KITS**  
03.LA.023

Kit fit joint for joining bars inline

- FOS 100 series

**IRIS**

03.TA225

Iris Diaphragm

- PROFILO LED 200 series

**IRIS**

03.TA223

Iris Diaphragm

- PROFILO LED 120 HQS  
 • PROFILO LED 80 series

**KIT LENS**

03.LK.107.N NARROW 10°  
 03.LK.108.N MEDIUM 25°  
 03.LK.109.N WIDE 40°

Kit Lens

- FOS 100 POWER (2 pcs needed)

**KIT LENS**

03.LK.060.N NARROW 10°  
 03.LK.061.N MEDIUM 25°  
 03.LK.062.N WIDE 40°

Kit Lens (3 pcs needed)

- FOS 100 DYNAMIC

**KIT LENS**

03.LK.274.46 NARROW 12°  
 03.LK.275.46 MEDIUM 28°  
 03.LK.276.46 WIDE 38°

Kit Lens

- BRICK

**KIT LENS**

03.LK.270.46 NARROW 12°  
 03.LK.271.46 MEDIUM 28°  
 03.LK.272.46 WIDE 38°

Kit Lens

- MINI BRICK

**LAMP**

0505S039

Lamp 440 W SIRIUS HRI

- EVO  
 • CORE

**LAMP**

0505S037

Lamp 330 W SIRIUS HRI

- RAPTOR

**LAMP**

0505A042

Lamp 1000 W 230V GX9,5 \*CP70  
 \*PHILIPS \*Halogen

- SCENA S 650/1000

**LAMP**

0505A007

Lamp 650 W 230V GX9,5 \*CP23  
 \*OSRAM \*Halogen

- SCENA S 650/1000

**SAFETY CABLE**  
0521A010

Safety Cable (3 x 600 mm)  
 Ring spring catch  
 Lifting power 30 Kg (66 lbs)

- All products ≤ 30 Kg