



The 40 watts High-Power LED of PHOS 45 is sufficiently cooled by a noise-optimized fan and provides extra power. The device can be installed in dry indoor environments, optionally on tabletops, shelves, ceilings or walls. Despite its compact design, the projector delivers superior brightness. PHOS 45 is recommended for environments like salesrooms, service halls, trade fairs and museums. The projection motif (gobo) can be changed without tools.

Construction

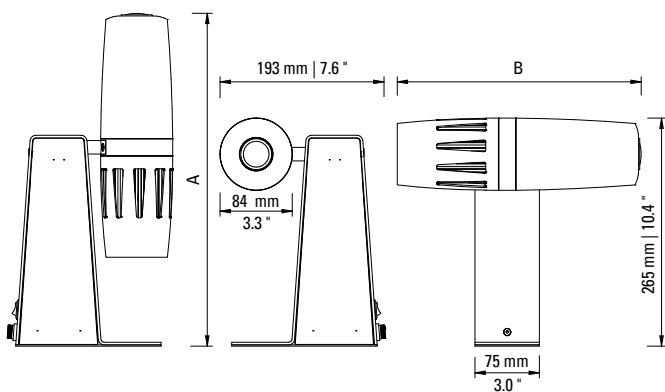
housing: aluminium, steel, powder coated
 weight (standard equipment): 2.94 kg | 6.48 lbs
 On / Off switch: at the back of the unit
 IP-rating of the housing IP 20

Operating Conditions

application area dry interiors
 ambient temperature: -30°C - +35°C
 cooling: active, with a fan, 20 dBA

Light Source and Optics

light source: High Power LED, 40 W
 luminous flux of the projector: 2,388 lumens
 efficiency 57 lumens / watt
 colour temperature: 6,300 – 6,700 K
 colour rendering index: Ra >70
 estimated lifetime of the LED (L70): 35,000 operating hours
 projection lens: Standard Lens, f=85 mm (included)
 gobo size / image size: Ø 50.0 mm / Ø 40.0 mm
 photobiological safety (ICE62471-5:2015, EN62471-5:2015): RG-2



Projection Lens	Height A	Width B
Extra Wide Angle, f=45 mm	411 mm 16.2 "	317 mm 12.5 "
Wide Angle, f=63 mm	377 mm 14.8 "	283 mm 11.1 "
Standard, f=85 mm	383 mm 15.1 "	289 mm 11.4 "
Telephoto, f=135 mm	452 mm 17.8 "	358 mm 14.1 "

Electrical Specifications

input voltage: 220 - 240V AC, 50/60 Hz
 power consumption: 42 W
 power factor: 0.95 cos. φ
 electrical protection class: I
 max. number of devices per circuit breaker B16A/C16A: 50/85
 device is dimmable: no

Item No.: 20045110 (white), 20045120 (black), 20045130 (silver)

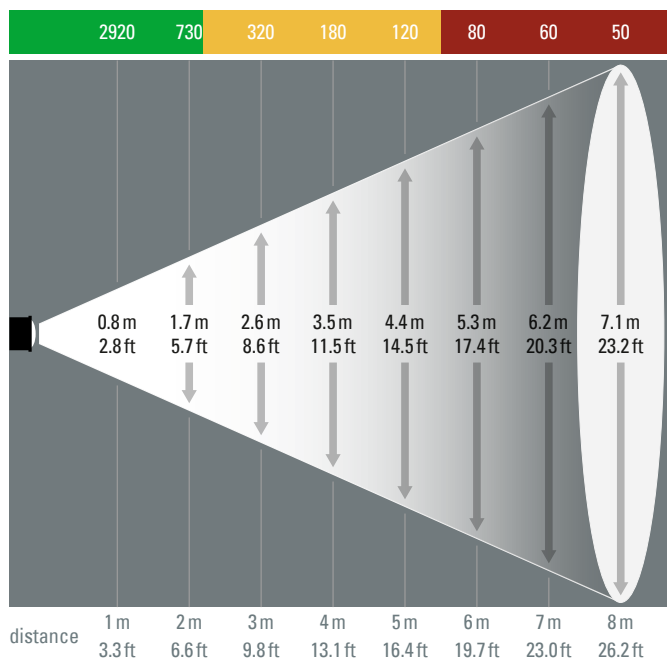
Additional Accessories: individual glass gobo according to your digital artwork, Extra Wide Angle Lens, f=45 mm, Wide Angle Lens, f=63 mm, Telephoto Lens, f=135 mm



PHOS 45 indoor – Photometric Diagrams

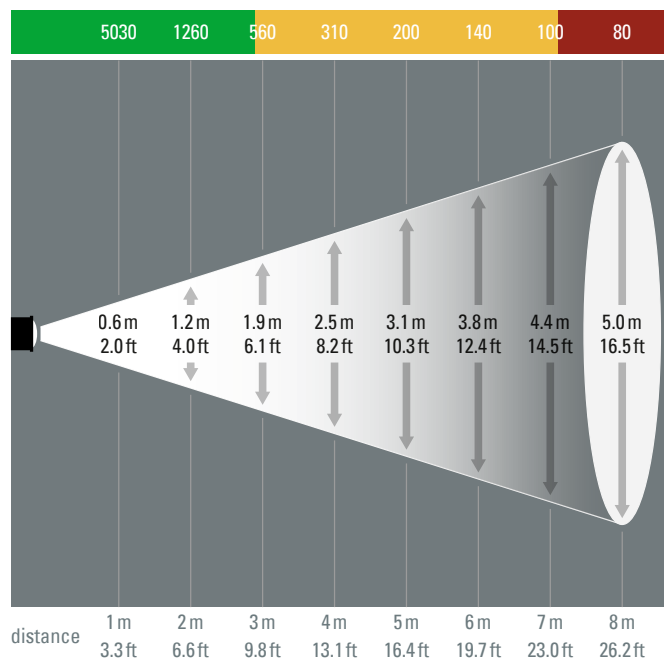
PHOS 45, Extra Wide Angle Lens, f = 45 mm, 48°

illuminance [lux]



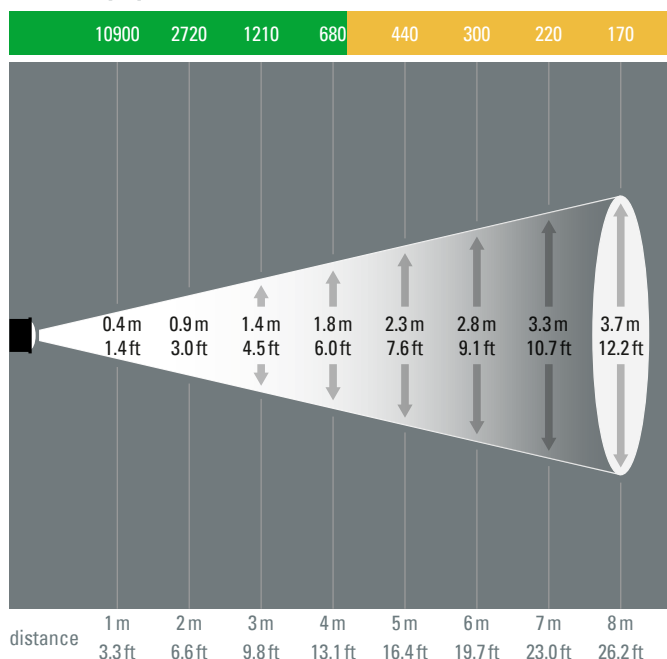
PHOS 45, Wide Angle Lens, f = 63 mm, 35°

illuminance [lux]



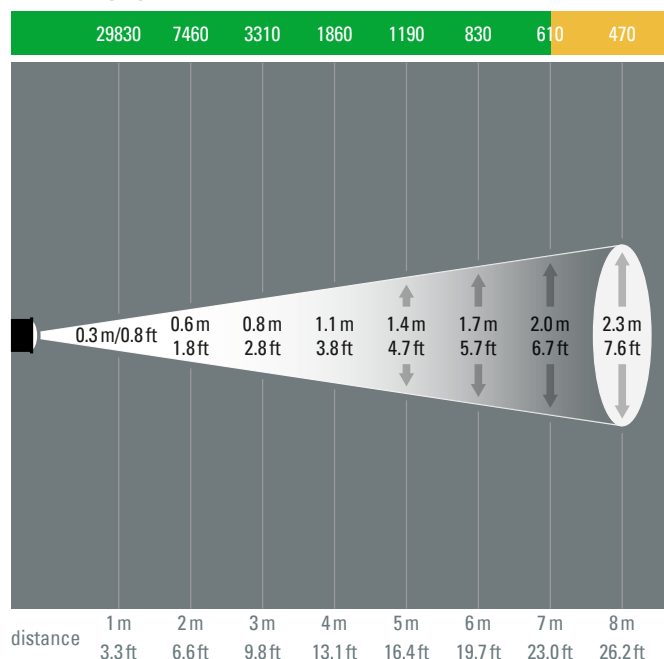
PHOS 45, Standard Lens, f = 85 mm, 26°

illuminance [lux]



PHOS 45, Telephoto Lens, f = 135 mm, 17°

illuminance [lux]



Brightness Colour Coding:

- = with standard room lighting, suitable for coloured motifs
- = in low-light rooms, for motifs without colour
- = recommended only in darkened rooms

- The results shown are approximate values. The result may differ slightly in reality.
- The projection sizes indicate the maximum diameter that can be projected with a Ø 40 mm image.
- The projection motif is circular and fills the image area of the gobo. Other objects, e.g. rectangles or texts are fitted into the circular projection area.
- The projection is at right angles to the projection surface.

Detailed projection calculator at: www.derksen.de

derksen®
lichttechnik

Derksen Lichttechnik GmbH
Johannes-Rau-Allee 4
45889 Gelsenkirchen
Germany

Tel.: +49 209 98070-0
info@derksen.de
www.derksen.de