

104-1002 Antenna 2dBi Outdoor

Ver: 1. Feb 14, 2024



Product description

This antenna is our standard antenna for our outdoor series of products and outdoor kits. It provides 2dBi of antenna gain and a good all-purpose radiation pattern that provides good radiation in all directions. It is suitable for most outdoor and fixed installation scenarios.

With its white TPEE radome and small size of only it provides a discreet look that blends into almost every installation scenario.

The N male connector allows for mounting directly to all LumenRadio's products with an N female connector without the need for cables or adapters.



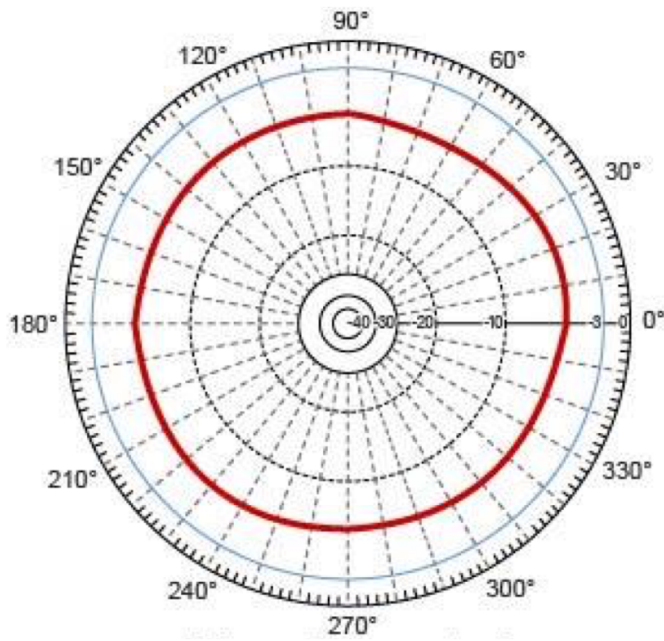
Electrical specifications

| | |
|---------------------|-------------------|
| Frequency | 2400 – 2483.5 MHz |
| Gain | 2.15 dBi |
| Polarization | Vertical |
| Radiation pattern | Omni directional |
| Maximum input power | 25 W |
| Impedance | 50 Ohms |
| VSWR | ≤2:1 |

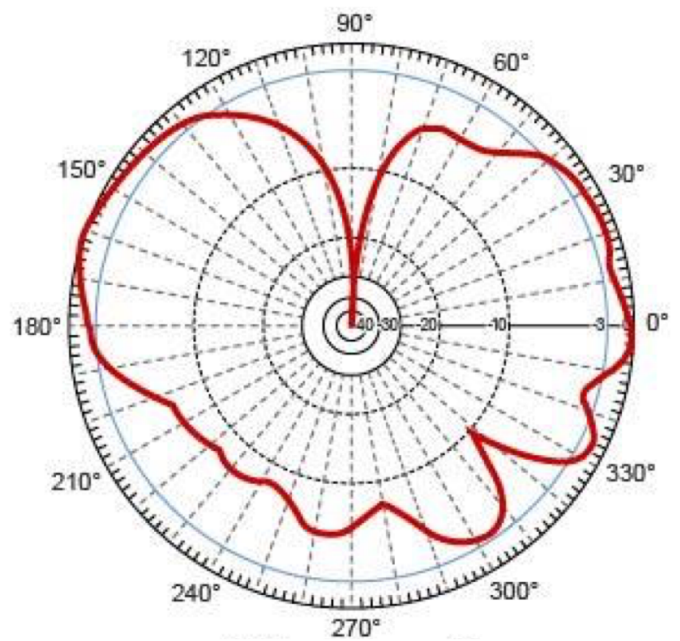
Mechanical specifications

| | |
|-----------------------|---|
| Connector | N male |
| Radome material | TPEE |
| Operating temperature | -20° to 55° C (-4° to 131° F) |
| Dimensions | 137 x 13 mm (dia) (5.4 x 0.5 in.) (excl. connector) |
| Weight (incl. mount) | 25 g (0.9 oz.) |
| IP rating | IP67 |
| RoHS compliant | Yes |

RF antenna pattern



Horizontal



Vertical