

SOPRANO 1 WH

The fixed white LED source makes the Soprano 1 a superior lighting solution, with a CRI of up to 95, ideal for professional applications requiring precise color rendering.

The Soprano 1 is part of the DTS product family, designed to deliver reliable and high-quality solutions. With its compact and elegant design and a weight of only 8.2 kg, the Soprano 1 is perfect for any setting, from small meeting rooms to large auditoriums. Its high-performance white light makes it ideal for professional installations where reliability and quality are fundamental requirements.

The ability to overlay multiple focal planes allows for the simultaneous use of up to two gobos, which can be combined with the shutter system, offering exceptional creative flexibility to meet the most sophisticated design needs.

Overall, the Soprano 1 sets new standards in quality and performance for fixed white LED lighting sources, making it the ideal choice for theaters, auditoriums, conference rooms, television studios, virtual production sets, places of worship, and theme parks.

The high-quality materials and advanced technology make it a durable and reliable product, designed to deliver consistent performance over time. Additionally, its compact and lightweight design facilitates transport and installation, perfectly adapting to various lighting needs.

Finally, the Soprano 1 is entirely designed and assembled at DTS production facilities in Rimini, Italy.



APPLICATIONS

Theatre, TV studio, Virtual Production, Auditorium, Conference Hall, Places of Worship and Theme Parks.

FEATURES



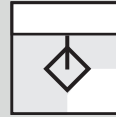
CERTIFICATIONS



FINITURES



SOPRANO 1 WH Rev. 01.2025

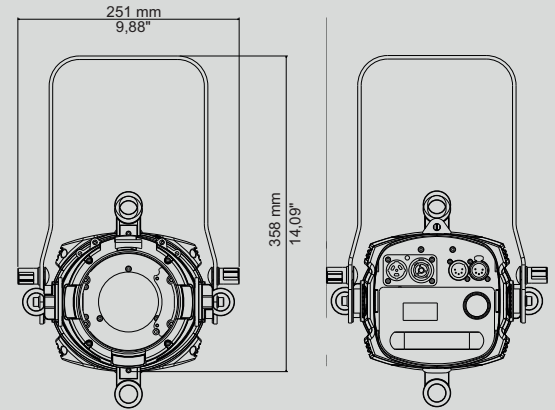


PROFILE
BRACKET INSTALLATION
WHITE 3000K, 4000K, 5000K



FAMILY

SOPRANO	1	3	5
HQS			
HDW			
WH	●		



SKILLS

The Soprano 1 offers a powerful concentrated light with a uniform and regular distribution. Its rotatable optical system offers a zoom range of 18° to 34°, which can be extended at 25° to 46° with an optional accessory, allowing quick adjustments without changing the setup.

3700 Lumens output with less Power Consumption, only 95 W.

High Quality of Light: CRI up to 95

Graphic display and Jog Shuttle encoder for easy and intuitive navigation within the menu.



CODE

03. TSP	202 3000K	.49 BLACK
	204 4000K	.65 WHITE
	203 5000K	



TECHNICAL DATA

OUTPUT

- Single white 3000 K LED source
 - Lumens Output: 3400 (Zoom Range 18°-34°)
 - Lumens Output: 3700 (Zoom Range 25°-46°)
 - CRI >95
- Single white 4000 K LED source
 - Lumens Output: 3500 (Zoom Range 18°-34°)
 - Lumens Output: 3800 (Zoom Range 25°-46°)
 - CRI >95
- Single white 5000 K LED source
 - Lumens Output: 3550 (Zoom Range 18°-34°)
 - Lumens Output: 3850 (Zoom Range 25°-46°)
 - CRI >90
- LED Lifespan: 50000 hours (L70B10)

OPTICAL GROUP

18°-34°linear zoom
If the third additional lens is mounted 25°-46°Linear Zoom

Note: Additional lens (O3.TA238) is sold separately

FRAMING SYSTEM

- Framing system composed of 4 symmetric blades
- Blades operate on three discrete planes
- 90° full system rotation (+/- 45°)
 - The blades are integral with the light clusters
 - The blades are not removable

GOBOS

- Gobo tipo D
- Ø external (OD) = 53,3 mm +0,2/-0,2 mm
 - Ø of image (ID) = 40 mm
 - Thickness = from 0,2 to 1,5 mm

DIMMER

- PWM Dimming technology

CONTROL

- LCD graphic display + Jog Shuttle
- RDM/DMX 512 protocols
- 'Standard', 'Silent' (default), 'Ultra Silent' and 'Automatic' fan modes
- Noise level
 - Fan Standard : 23dBA @ 1m (normal operation, 100% power)
 - Fan Silent : 22dBA @ 1m (normal operation, 100% power)
 - Fan Ultra Silent: 21dBA @ 1m (normal operation, 90% power)
- Firmware updatable via DTS firmware uploader dongle

DMX

- 4ch (Default) – Shutter, Dimmer 16bit and Fixture Control channel.
- 1ch – Dimmer 8bit
- Fine – Dimmer 16bit

POWER SUPPLY

- Electronic Wide-range 100/240 Vac 50-60 Hz
- Power consumption: 95 W max / 230Vac
- Power Factor: PF >0.95

CONNECTIONS

- DMX: XLR 5 pole In/Out panel connectors
- Power supply: PowerCON TRUE1 In/Out panel connectors

CIRCUITS PROTECTIONS

Overvoltage and overtemperature circuits protection

TEMPERATURE

- Operating: -10° +45°
- Storage: -20° +60°

PHYSICAL

- IP20
- Weight:
 - Soprano 1 WH: 8,2 Kg
 - Additional third lens O3.TA238: 0.3 Kg (0.7lbs)
- Finishing: Black - White

TEST AND CERTIFICATION

- CE

ADDITIONAL OPTIC



ACCESSORIES

INCLUDED

- 1x PowerCON TRUE1 female cable connector (code 0520P066)
- 1x XLR 5 pins female cable connector (code 0508B147)
- 1x XLR 5 pins male cable connector (code 0508B148)
- 1x Filter frame Black finishing - already installed on the projector (code 02M093600.49)

ON REQUEST

- 25-46° Zoom additional optic (code 03.TA238)
- Gobo2/Frost Holder (code 03.TA237)
- Gobo/Soft Edge Holder (code 03.TA239)
- Iris/Diaphragm (code 03.TA240)
- Barndoor 4 leaf Black finishing (code 03.TBD10.49)
- Outdoor DMX cable 2 x 0,25 mm2 - Flame retardant (code 0509C158)
- Aliscaf clamp for Ø 48-51 mm tube-max load 100 Kg 8code 0521A033)
- Professional G-QUICK clamp - max load 100 Kg (code 0521A037)
- Safety cable 3 x 600 mm - BGV-C1 certified (code 0521A049)
 - Single stranded: Max 20 Kg (44 lbs)
 - Double stranded: Max 30 Kg (66 lbs)
- Safety cable for Barndoor / Filterframe - Ø 0,8mm (code 0521A048)
- DTS firmware uploader dongle (code 03.LA.206)

PHOTOMETRIC DATA

SOPRANO 1 WHITE	mt 2	mt 4	mt 6	mt 8	mt 10	
3000° K	12200	3050	1356	763	488	lux center (lx)
	1134	283	126	71	45	foot candles (fc)
4000° K	12400	3100	1378	775	496	lux center (lx)
	1152	288	128	72	46	foot candles (fc)
5000° K	12800	3200	1422	800	512	lux center (lx)
	1190	297	132	74	48	foot candles (fc)
Angolo 18°	63	127	190	253	317	diameter (cm)
	2,08	4,16	6,24	8,31	10,39	diameter (ft)

SOPRANO 1 WHITE	mt 2	mt 4	mt 6	mt 8	mt 10	
3000° K	4200	1050	467	263	168	lux center (lx)
	390	98	43	24	16	foot candles (fc)
4000° K	4320	1080	480	270	173	lux center (lx)
	401	100	45	25	16	foot candles (fc)
5000° K	4480	1120	498	280	179	lux center (lx)
	416	104	46	26	17	foot candles (fc)
Beam Angle 34°	122	245	367	489	611	diameter (cm)
	4,01	8,02	12,04	16,05	20,06	diameter (ft)

SOPRANO 1 WHITE	mt 2	mt 4	mt 6	mt 8	mt 10	
3000° K	6680	1670	742	418	267	lux center (lx)
	621	155	69	39	25	foot candles (fc)
4000° K	6720	1680	747	420	269	lux center (lx)
	625	156	69	39	25	foot candles (fc)
5000° K	6800	1700	756	425	272	lux center (lx)
	632	158	70	39	25	foot candles (fc)
Beam Angle 25°	89	177	266	355	443	diameter (cm)
	2,91	5,82	8,73	11,64	14,55	diameter (ft)

SOPRANO 1 WHITE	mt 2	mt 4	mt 6	mt 8	mt 10	
3000° K	2280	570	253	143	91	lux center (lx)
	212	53	24	13	8	foot candles (fc)
4000° K	2360	590	262	148	94	lux center (lx)
	219	55	24	14	9	foot candles (fc)
5000° K	2400	600	267	150	96	lux center (lx)
	223	56	25	14	9	foot candles (fc)
Beam Angle 46°	170	340	509	679	849	diameter (cm)
	5,57	11,14	16,71	22,28	27,85	diameter (ft)