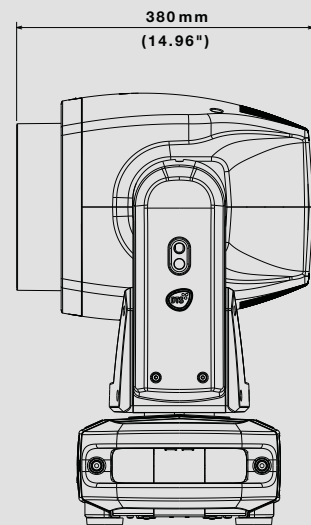
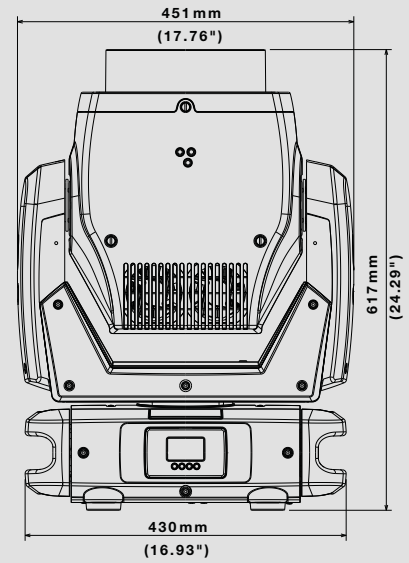


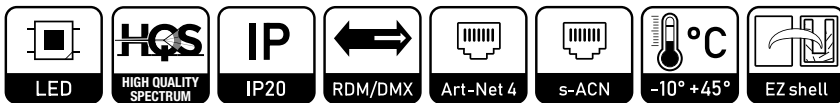
ALCHEMY 5



THE NEW-GENERATION FRESNEL
LED WASH LIGHT



FEATURES



OPTIONALS

CERTIFICATIONS



CODE
03.MW009



TECHNICAL DATA

OUTPUT

- Multi-chip LED source
- LED source: 400 W
- Lumen output: 10,800
- CRI: up to 98
- TLCI: up to 96
- LED lifespan: 20,000 hours (70% lumen output)

OPTICAL GROUP

- 10° - 47° linear zoom
- Ø 250 mm Fresnel lens
- Beam shaper (2x1 ratio) with endless rotation; indexable
- 2 frost filters (soft and heavy) insertable via DMX
- Retractable 'top hat'

COLOR & WHITE GENERATION

- 6-color LED engine
- Linear CCT (1,800 K - 10,000 K)
- Linear 'green saturation'
- 100 gel filters emulation:
 - Linear crossfade from gel filters emulation to CCT whites
 - Linear crossfade between emulated gel filters
 - True color of gel filters emulation at any CCT values
- "Raw" RGBACL color-mixing in 'Advanced' mode
- Deep blue and Deep red filters (DMX-selectable)

DIMMER

- Hi-Q Dimming technology
- Tungsten Emulation function

CONTROL

- LCD graphic display with 4 soft keys ("auto-flip" and "key-lock" functions available)
- Art-Net 4, sACN, RDM/DMX 512 protocols
- 'Standard' and 'Silent' operation modes
 - Noise level at Silent mode: 37dBA @ 1m (normal operation, full power)
- Firmware updatable via DTS firmware uploader dongle
- "Li-Fe" backup battery allows the use of the unit's on-board display when it is not powered, besides ensuring a safe return and blockage of the top hat during shut down

DMX

- 5 DMX modes:
 - 1. CCT (default)
 - 2. Advanced
 - 3. Basic
 - 4. Expo
 - 5. CMY Emulation

PAN & TILT

- Pan 540° : 3.8 s
- Tilt 220° : 2.1 s
- 16-bit resolution
- Pan / Tilt lock

POWER SUPPLY

- Electronic Wide-range 100/277 Vac 50-60 Hz
- Power consumption: 450 W max
- Power Factor: PF >0.90

CONNECTIONS

- DMX: XLR 3-pole and 5-pole In/Out panel connectors
- Power supply: PowerCON TRUE1 In/Out panel connectors
- Art-Net / sACN: etherCON RJ45 panel connector

CIRCUITS PROTECTIONS

- Overvoltage and overtemperature circuits protection

OPERATING TEMPERATURE

-10° / 45° C

PHYSICAL

- IP20
- Weight: 26.5 Kg (58.0 lbs)
- Finishing: Black

ACCESSORIES INCLUDED

- 1 x PowerCON TRUE1 female cable connector (code 0520P066)
- 2 x Omega bracket with "Fast Lock" connection 1/4 turn (code 02K00549)
- 1 x Alchemy 5 EZ-shell 560 x 490 x 670 mm - 2 pcs needed in each flightcase (0512K152.1)

ACCESSORIES ON REQUEST

- Aliscaf clamp for tube diameter 48-51 mm - max. load. 200 Kg (code 0521A033)
- G-QUICK clamp Professional - max. load 100 Kg (code 0521A037)
- Flightcase for 2 units (code 0521C078)
- Outdoor DMX cable 2 x 0,25 mm² - Flame retardant (code 0509C158)
- Safety cable 5 x 600 mm - max capacity load 60 Kg (code 0521A038)
- DTS firmware uploader dongle (code 03.LA.206)

PHOTOMETRIC DATA

		mt 5 ft 16.40	mt 10 ft 32.81	mt 15 ft 49.21	mt 20 ft 65.62	mt 25 ft 82.02	
BEAM ANGLE 10° - @ 50%	3200 K	lux center (lx)	7000	1750	778	438	280
		foot candles (fc)	651	163	72	41	26
	4000 K	lux center (lx)	8875	2219	986	555	355
		foot candles (fc)	825	206	92	52	33
	5600 K	lux center (lx)	10100	2525	1122	631	404
		foot candles (fc)	939	235	104	59	38
diameter (cm)		87	175	262	350	437	
diameter (ft)		2.87	5.74	8.61	11.48	14.35	

		mt 3 ft 9.84	mt 6 ft 19.68	mt 9 ft 29.53	mt 12 ft 39.37	mt 15 ft 49.21	
BEAM ANGLE 47° - @ 10%	3200 K	lux center (lx)	1500	375	167	94	60
		foot candles (fc)	139	35	15	9	6
	4000 K	lux center (lx)	1720	430	191	108	69
		foot candles (fc)	160	40	18	10	6
	5600 K	lux center (lx)	1967	492	219	123	79
		foot candles (fc)	183	46	20	11	7
diameter (cm)		261	522	783	1044	1304	
diameter (ft)		8.56	17.12	25.68	34.24	42.80	