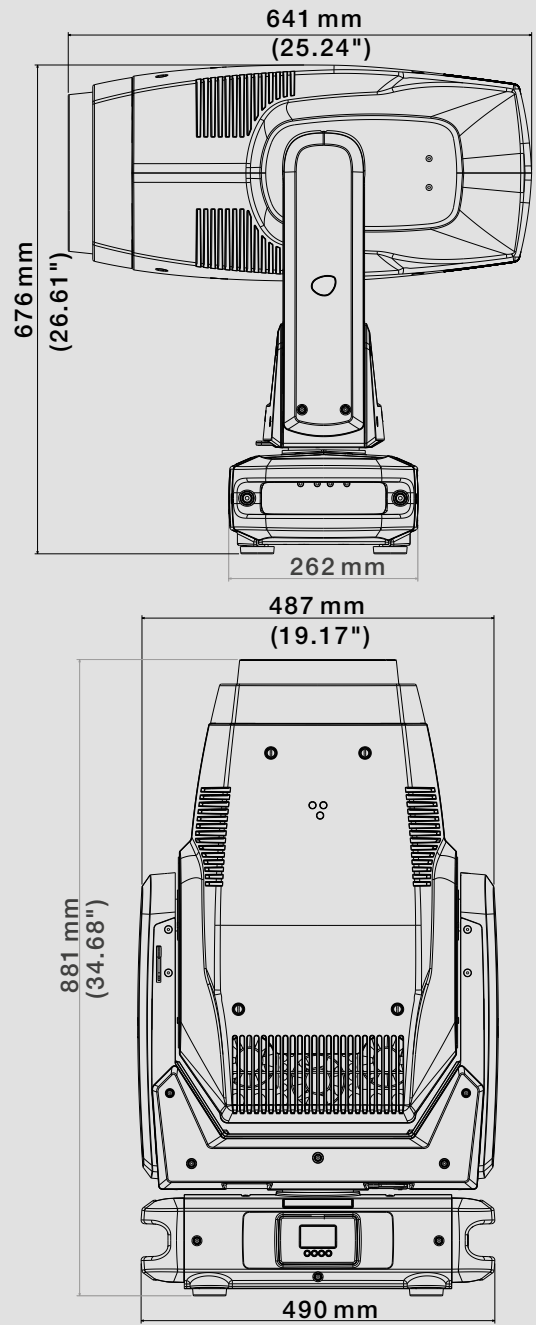


SYNERGY 7 PROFILE



PROFILE MOVING HEAD THAT OFFERS HIGH POWER, SLEEK DESIGN AND GREAT VERSATILITY



FEATURES



OPTIONALS

CERTIFICATIONS



CODE
03.MP003



TECHNICAL DATA

OUTPUT

- 1050 W pure white LED source (7000 K 55,000 Lumens output)
- Double CRI (DMX-selectable): CRI >75 or CRI >90 (R9 > 80)
- Average LED life: 50,000 hours (70% lumen output)

OPTICAL GROUP

- 101,000 Lux (7°@ 5 m)
- 7° - 52° linear zoom with autofocus
- Linear Frost filter
- Electronic dimmer / shutter / strobe (0.3 to 33.3 flash/s)

COLOR GENERATION

- Linear CMY
- Linear CTO (3000 K – 7000 K)
- Gel filter emulation
- 4-color wheel (white correction + UV)
- 5-color wheel (two-color generation)

IRIS

- Linear 16-blade Iris (15% ÷ 100%)

DYNAMIC EFFECTS

- Dynamove FX Engine (DTS patent)
- Virtual Animation Wheel
- 2 customizable rotating 6-gobo wheel
- Circular 24-facet rotating prism
- Linear 6-facet rotating prism

ROTATING FRAMING SYSTEM

- 4-blade rotating framing system
- Real 'curtain' effect for each blade
- 60° rotation for each blade (+/- 30°)
- 90° full system rotation (+/- 45°)

USER INTERFACE

- LCD graphic display + 4 soft-keys; Auto-flip; Key-Lock function
- Li-Fe backup battery for controlling the display settings even when the unit is not powered

CONTROL

- Art-Net 4, sACN, RDM/DMX 512 protocols
- 52 DMX channels (Default)

- 61 DMX channels:
 - 16 bit index for insertion and rotation of each blade
 - 16 bit index for blade system rotation
- Standard, Silent and Ultra-silent operation modes
 - Noise level at Ultra-silent mode: 36dBA @ 1m (normal operation, full power)
- Firmware updatable via DTS firmware uploader dongle

PAN & TILT

- Pan: 540°
- Tilt: 260°
- Tri-phase stepper motor technology;
- 16-bit resolution
- Pan / Tilt lock

POWER SUPPLY

- Wide range 100-240Vac 50-60 Hz
- Power consumption: 1400 W max
- Power Factor: PF >0.90

CONNECTIONS

- DMX: XLR 3-pole and 5-pole In / Out panel connectors
- Power supply: powerCON TRUE1 panel connector
- Art-Net / sACN: etherCON RJ45 panel connector

CIRCUITS PROTECTIONS

- Overvoltage and overtemperature circuits protection
- Auto-parking: internal collision protection system

OPERATING TEMPERATURE

-10° / 45° C

STORAGE TEMPERATURE

-20° / 60° C

PHYSICAL

- IP20
- Weight: 46.5 Kg (102.5 lbs)
- Finishing: Black

ACCESSORIES INCLUDED

- 1 x PowerCON TRUE1 female cable connector (code 0520P066)
- 2 x Kit Omega clamp "Fast Lock" (code 02K00549)

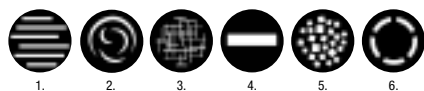
ACCESSORIES ON REQUEST

- Flightcase for 1 units (code 0521C080)
- Aliscaf clamp for tube diameter 48-51 mm - max. load. 200 Kg (code 0521A033)
- G-QUICK clamp Professional - max. load 100 Kg (code 0521A037)
- Safety cable 5 x 600 mm - max capacity load 60 Kg (code 0521A038)
- DTS firmware uploader dongle (code 03.LA.206)

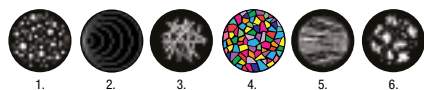
PHOTOMETRIC DATA

	mt 5 ft 16.40	mt 10 ft 32.81	mt 15 ft 49.21	mt 20 ft 65.62	mt 25 ft 82.02	
BEAM ANGLE 7°	lux center (lx)	101000	25250	11222	6313	4040
	foot candles (fc)	9387	2347	1043	587	375
	diameter (cm)	61	122	183	245	306
	diameter (ft)	2.01	4.01	6.02	8.03	10.03
BEAM ANGLE 52°	mt 3 ft 9.84	mt 6 ft 19.68	mt 9 ft 29.53	mt 12 ft 39.37	mt 15 ft 49.21	
	lux center (lx)	11389	2847	1265	712	456
	foot candles (fc)	1058	265	118	66	42
	diameter (cm)	293	585	878	1171	1463
diameter (ft)	9.60	19.20	28.80	38.40	48.00	

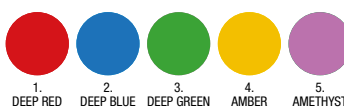
ROTATING GOBO WHEEL 1



ROTATING GOBO WHEEL 2



COLOR WHEEL



WHITE CORRECTION + UV COLOR WHEEL

