

DRIVENET



FEATURES



CERTIFICATIONS



TREATMENTS

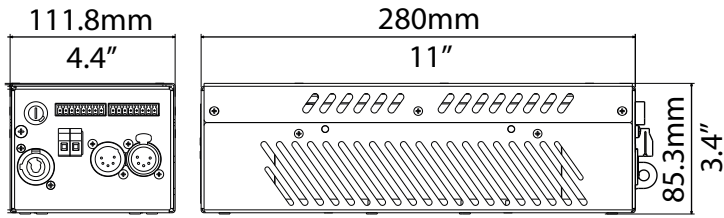


DRIVENET 28 EZ	03.LA.228
DRIVENET 416	03.LA.196
DRIVENET 832	03.LA.177
DRIVENET 1664	03.LA.198
DRIVENET 832 24VDC	03.LA.177.V2
DRIVENET 1664 24VDC	03.LA.195
DRIVENET 416 POWER	03.LA.191
DRIVENET 832 POWER	03.LA.184
DRIVENET 832 POWER 24VDC	03.LA.184.V2

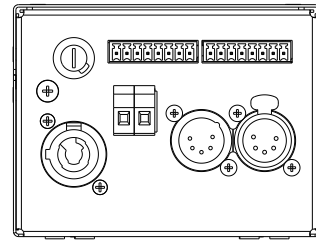


TECHNICAL

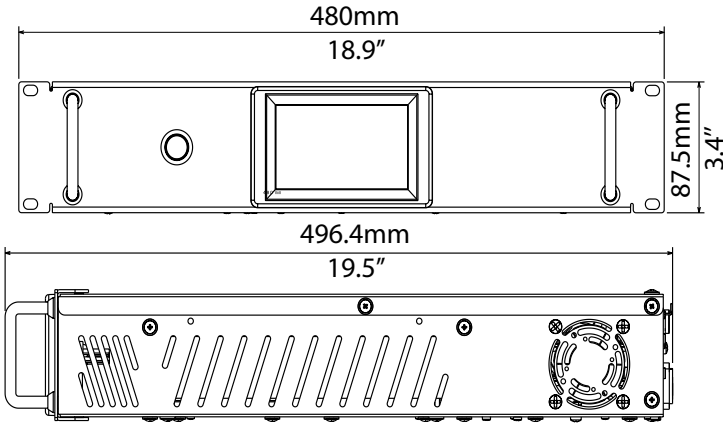
DRIVENET <2U RACK



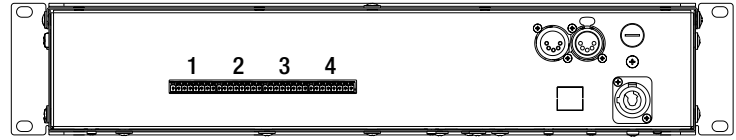
DRIVENET 28 EZ



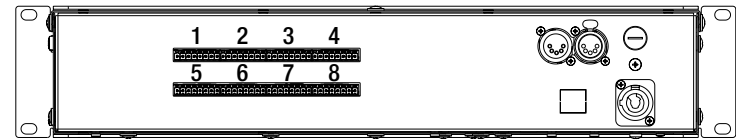
DRIVENET 2U RACK



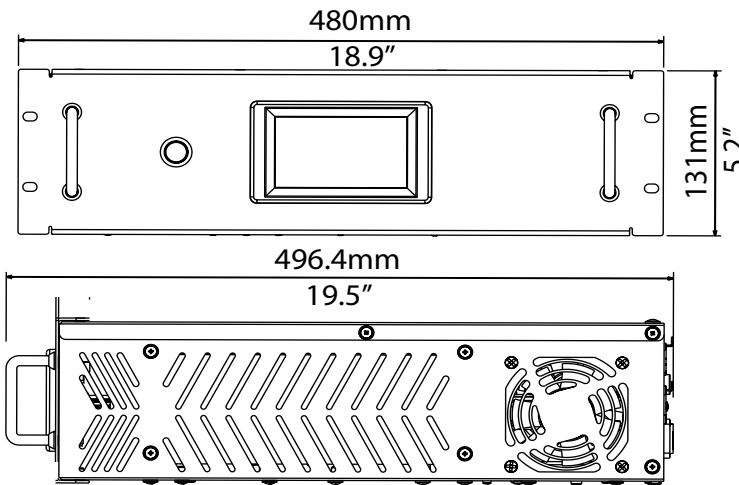
**DRIVENET 416 POWER
DRIVENET 416**



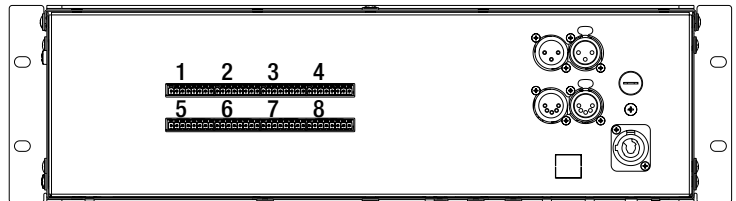
**DRIVENET 832 24V
DRIVENET 832**



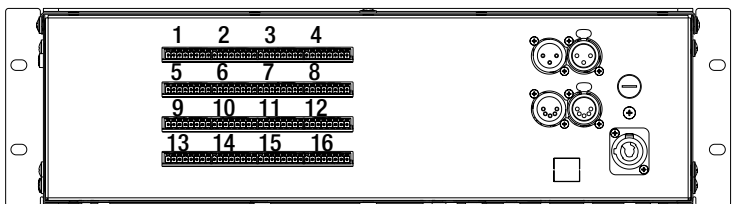
DRIVENET 3U RACK



**DRIVENET 832 POWER
DRIVENET 832 POWER 24V**



**DRIVENET 1664 24V
DRIVENET 1664**



	DRIVENET 28 EZ	DRIVENET 416	DRIVENET 832	DRIVENET 1664
ITEM CODE	03.LA.228	03.LA.196	03.LA.177	03.LA.198
INPUT VOLTAGE/FREQUENCY RANGE	100-240Vac 50-60 Hz	100-240Vac 50-60 Hz	100-240Vac 50-60 Hz	180-240Vac 50-60 Hz*
POWER FACTOR	PF >0.94	PF >0.95	PF >0.95	PF >0.95
OUTPUT CHANNELS	8 (4 channels x 2 groups)	16 (4 channels x 4 groups)	32 (4 channels x 8 groups)	64 (4 channels x 16 groups)
OUTPUT VOLTAGE	48Vdc	48Vdc	48Vdc	48Vdc
OUTPUT CURRENT	700mA max (per channel)	700mA max (per channel)	700mA max (per channel)	700mA max (per channel)
MAX POWER	280W @ 180-240Vac 50-60 Hz 200W @ 90-130Vac 50-60 Hz	600W	1200W	2200W
OUTPUT CONNECTIONS	Screw terminal connectors	Screw terminal connectors	Screw terminal connectors	Screw terminal connectors
MAINS CONNECTIONS	PowerCON male panel connector	PowerCON male panel connector	PowerCON male panel connector	PowerCON male panel connector
DMX CONNECTIONS	XLR 5-pole In/Out panel connectors	XLR 5-pole In/Out panel connectors	XLR 5-pole In/Out panel connectors	XLR 5-pole In/OUT and XLR 3-pole In/OUT panel connectors
DISPLAY	4-digit 7-segment LED display	Touch-screen color display	Touch-screen color display	Touch-screen color display
DMX	Available	Available	Available	Available
RDM	Available	Available	Available	Available
ART-NET	Not Available	Optional	Optional	Optional
DALi	Available	Not available	Not available	Not available
RACK UNITS	< 2U	2U	2U	3U
WEIGHT	2 Kg (4.4 lbs)	6.9 Kg (15.2 lbs)	6.9 Kg (15.2 lbs)	11.4 Kg (25.1 lbs)
ACCESSORIES INCLUDED	<ul style="list-style-type: none"> • 8 pins screw terminals connector (already plugged on the unit) (code 0508B084) *Quantity is based on the of the outputs number • 1 x XLR 5 pins female cable connector (code 0508B065) • 1 x XLR 5 pins male cable connector (code 0508B066) • 1 x PowerCON female cable connector (code 0520P014) 			

* Voltage not compatible in: USA, Canada, Mexico, Venezuela, Colombia, Ecuador, Central America and Carribean area, Japan, Taiwan, Libia.

DRIVENET 832 24VDC	DRIVENET 1664 24VDC	DRIVENET 416 POWER	DRIVENET 832 POWER	DRIVENET 832 POWER 24VDC
03.LA.177.V2	03.LA.195	03.LA.191	03.LA.184	03.LA.184.V2
100-240Vac 50-60 Hz	100-240Vac 50-60 Hz	100-240Vac 50-60 Hz	180-240Vac 50-60 Hz*	100-240Vac 50-60 Hz
PF >0.95	PF >0.95	PF >0.95	PF >0.95	PF >0.95
32 (4 channels x 8 groups)	64 (4 channels x 16 groups)	16 (4 channels x 4 groups)	32 (4 channels x 8 groups)	32 (4 channels x 8 groups)
24Vdc	24Vdc	48Vdc	48Vdc	24Vdc
700mA max (per channel)	700mA max (per channel)	1600mA max (per channel)	1600mA max (per channel)	1600mA max (per channel)
600W	1100W	1200W	2400W	1200W
Screw terminal connectors	Screw terminal connectors	Screw terminal connectors	Screw terminal connectors	Screw terminal connectors
PowerCON male panel connector	PowerCON male panel connector	PowerCON male panel connector	PowerCON male panel connector	PowerCON male panel connector
XLR 5-pole In/Out panel connectors	XLR 5-pole In/OUT and XLR 3-pole In/OUT panel connectors	XLR 5-pole In/Out panel connectors	XLR 5-pole In/OUT and XLR 3-pole In/OUT panel connectors	XLR 5-pole In/OUT and XLR 3-pole In/OUT panel connectors
Touch-screen color display	Touch-screen color display	Touch-screen color display	Touch-screen color display	Touch-screen color display
Available	Available	Available	Available	Available
Available	Available	Available	Available	Available
Optional	Optional	Optional	Optional	Optional
Not available	Not available	Not available	Not available	Not available
2U	3U	2U	3U	3U
6.9 Kg (15.2 lbs)	11.4 Kg (25.1 lbs)	6.9 Kg (15.2 lbs)	13.8 Kg (30.4 lbs)	13.8 Kg (30.4 lbs)
<ul style="list-style-type: none"> • 8 pins screw terminals connector (already installed on the unit) (code 0508B084) *Quantity is based on the of the outputs number • 1 x XLR 5 pins female cable connector (code 0508B065) • 1 x XLR 5 pins male cable connector (code 0508B066) • 1 x PowerCON female cable connector (code 0520P014) 				