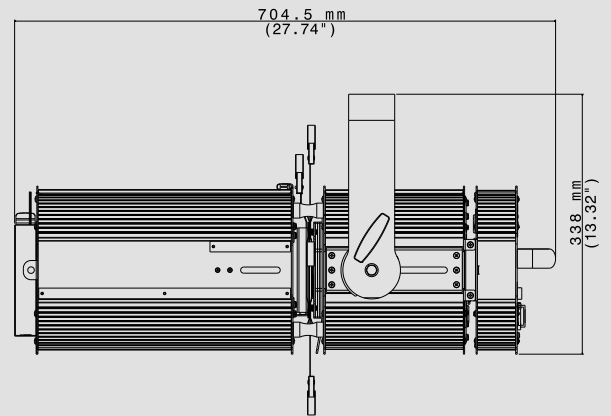
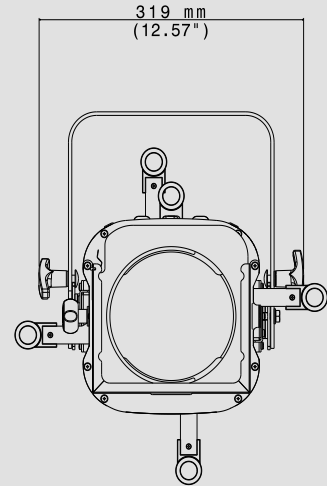


# PROFILO LED 200 FC



THE HIGH-POWER ALTERNATIVE TO  
CONVENTIONAL PROFILERS WITH  
RGBW COLOR MIXING



## FEATURES



## OPTIONALS

## CERTIFICATIONS



CODE  
**03.TP038.46**



## TECHNICAL DATA

### OUTPUT

- Single high-power 200 W Full Color (RGBW) LED with Cold White 5600 K
- Cold White CRI > 90
- LED lifespan: 50,000 hours (70% lumen output)

### OPTICAL GROUP

- 19° - 41° linear zoom
- High definition zoom lens with double optical condenser lens

### FRAMING SYSTEM

- Framing system composed of 4 asymmetric blades
- Each blade can be inverted
- 70° full system rotation (+/- 35°)
- Blades operate on three discrete planes
- A 5th blade can be added

### COLOR GENERATION

- 28 Gel Filters Macros
- Wide palette of pure uniform whites
- Variable linear color temperature (2700 K – 8000 K)

### GOBOS

- Ø external: 86 mm
- Ø of image: 60 mm
- Thickness: from 0,2 to 2 mm

### CONTROL

- DMX 512 / RDM or Manual control
- Multi-function 4-digit 7-segment LED display + 4 soft keys
- Firmware updatable via DTS firmware uploader dongle

### DMX

- 10 DMX channels (default)
- 4 DMX channels
- 6 DMX channels
- "Fine" mode

### POWER SUPPLY

- Electronic Wide-range 100-240Vac 50-60 Hz;
- Power consumption: 200 W max
- Power Factor: PF >0.94

### CONNECTIONS

- Power supply: PowerCON TRUE1 In/Out panel connectors
- DMX: XLR 5-pole In/Out panel connectors

### CIRCUITS PROTECTIONS

- Overvoltage and overtemperature circuits protection

### OPERATING TEMPERATURE

-10° / 40° C

### PHYSICAL

- IP20
- Internal system with four removable shutters
- Yoke featuring an exclusive sliding system with clutch for a wider tilt
- Weight: 16.95 Kg (37.4 lbs)
- Finishing: Black

## ACCESSORIES INCLUDED

### ON BOARD

- 1 x Soft edge filter assembly (code 02TP0047)
- 1 x Filterframe Black finishing (code 02M00420.49)

### IN THE BOX

- 1 x PowerCON TRUE1 female cable connector (code 0520P066)
- 1 x XLR 5 pins female cable connector (code 0508B147)
- 1 x XLR 5 pins male cable connector (code 0508B148)
- 4 x Shutter blades assembly (single blade code 02SK0429)

## ACCESSORIES ON REQUEST

- 5th shutter blade (code 02SK0429)
- Iris/Diaphragm (code 03.TA225)
- Gobo holder (code 03.TA226)
- Outdoor DMX cable 2 x 0,25 mm<sup>2</sup> - Flame retardant (code 0509C158)
- Universal Hook Clamp - Max load 40 Kg - 88 lbs (code 0521A047)
- Safety cable - 3 x 600 mm - max. capacity load 30 Kg (code 0521A010)
- DTS firmware uploader dongle (code 03.LA.206)

## PHOTOMETRIC DATA

	<b>mt 2 ft 6.56</b>	<b>mt 4 ft 13.12</b>	<b>mt 6 ft 19.68</b>	<b>mt 8 ft 26.25</b>	<b>mt 10 ft 32.81</b>	
BEAM ANGLE 19°	<b>lux center (lx)</b>	11147	2787	1239	697	446
	<b>foot candles (fc)</b>	1036	259	115	65	41
	<b>diameter (cm)</b>	67	134	201	268	335
	<b>diameter (ft)</b>	2.20	4.39	6.59	8.78	10.98
BEAM ANGLE 41°	<b>mt 2 ft 6.56</b>	<b>mt 4 ft 13.12</b>	<b>mt 6 ft 19.68</b>	<b>mt 8 ft 26.25</b>	<b>mt 10 ft 32.81</b>	
	<b>lux center (lx)</b>	3031	758	337	189	121
	<b>foot candles (fc)</b>	282	70	31	18	11
	<b>diameter (cm)</b>	150	299	449	598	748
<b>diameter (ft)</b>	4.91	9.81	14.72	19.63	24.53	