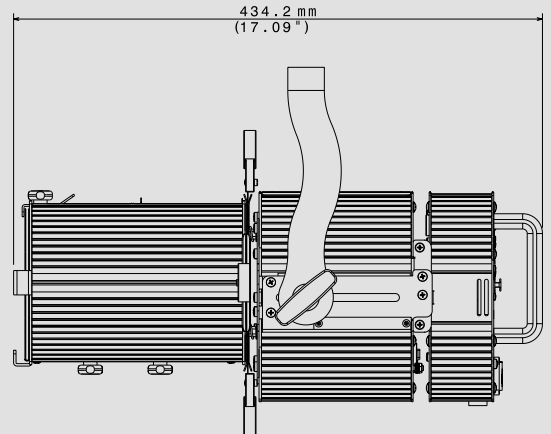
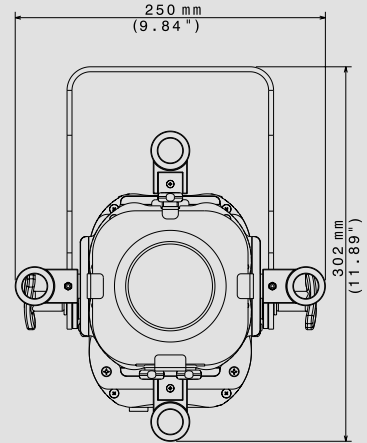


# PROFILO LED 80 CT



THE SMART PROFILE WITH  
SELECTABLE COLOR TEMPERATURE.  
RAIL-MOUNTING ADAPTOR AVAILABLE



## FEATURES



## OPTIONALS

## CERTIFICATIONS



## CODE

**03.TP033.46**



## TECHNICAL DATA

### OUTPUT

- Single White LED source with linearly tunable color temperature (2700 K - 6000 K)
- CRI > 80
- LED lifespan: 50,000 hours (70% lumen output)

### OPTICAL GROUP

- 20° - 36° linear zoom
- High definition zoom lens with double optical condenser lens

### GOBOS

- Gobo type M
- Ø external: 66 mm
- Ø of image: 48 mm
- Thickness: from 0.2 to 3 mm

### CONTROL

- DMX 512 / RDM or Manual control
- Multi-function 4-digit 7-segment LED display + 4 soft keys
- Firmware updatable via DTS firmware uploader dongle

### DMX

- 7 DMX channels (default)
- 2 DMX channels
- "CTC" mode

### POWER SUPPLY

- Electronic Wide-range 100-240Vac 50-60 Hz;
- Power consumption: 100 W max
- Power Factor: PF >0.95

### CONNECTIONS

- Power supply: PowerCON In/Out panel connectors
- DMX: XLR 5-pole In/Out panel connectors

### CIRCUITS PROTECTIONS

- Overvoltage and overtemperature circuits protection

### OPERATING TEMPERATURE

-10° / 40° C

### PHYSICAL

- IP20
- Internal system with four removable shutters
- Yoke featuring an exclusive round flange + clutch system
- Weight: 6.3 Kg (13.9 lbs)
- Finishing: Black

## ACCESSORIES INCLUDED

- 1 x PowerCON female cable connector (code 0520P014)
- 1 x XLR 5 pins male cable connector (code 0508B028)
- 1 x XLR 5 pins female cable connector (code 0508B027)
- 1 x Filterframe - Black finish - already mounted on the unit (code 02M00426.46)
- 4 x Shutter blades (single blade code 02SK0335)

## ACCESSORIES ON REQUEST

- Gobo holder (code 03.TA224)
- Iris/diaphragm (code 03.TA223)
- Outdoor DMX cable 2 x 0,25 mm<sup>2</sup> - Flame retardant (code 0509C158)
- Universal Hook Clamp - Max load 40 Kg - 88 lbs (code 0521A047)
- Safety cable - 3 x 600 mm - max. capacity load 30 Kg (code 0521A010)
- DTS firmware uploader dongle (code 03.LA.206)

## ACCESSORIES FOR ELECTRIFIED RAIL MOUNTING

- Track adapter - black finishing (code 03.LA.235)

## PHOTOMETRIC DATA

	<b>mt 2 ft 6.56</b>	<b>mt 4 ft 13.12</b>	<b>mt 6 ft 19.68</b>	<b>mt 8 ft 26.25</b>	<b>mt 10 ft 32.81</b>	
BEAM ANGLE 20°	<b>lux center (lx)</b>	6360	1590	707	398	254
	<b>foot candles (fc)</b>	591	148	66	37	24
	<b>diameter (cm)</b>	71	141	212	282	353
	<b>diameter (ft)</b>	2.31	4.63	6.94	9.26	11.57
BEAM ANGLE 36°	<b>lux center (lx)</b>	3944	986	438	247	158
	<b>foot candles (fc)</b>	367	92	41	23	15
	<b>diameter (cm)</b>	130	260	390	520	650
	<b>diameter (ft)</b>	4.26	8.53	12.79	17.06	21.32