

Rotating images attract more attention. PHOS rotator lets the projected motif rotate permanently around its own axis. Rotation speed and direction are adjustable. PHOS rotator offers uncompromising brightness, thanks to its air-cooled high-power LED, which guarantees brilliant, high-contrast projections. Projected safety messages are clearly visible even in poorly lit areas and on uneven surfaces. The projection motif can be changed without tools. Several projection lenses with different focal lengths are available.

Construction

housing: aluminium, stainless steel, powder coated
 weight (standard equipment): 7.45 kg | 16.42 lbs
 On / Off switch: not available
 IP-rating of the housing IP5x

Operating Conditions

application area dry interiors
 ambient temperature: -30°C - +35°C
 cooling: active, with a fan, 26 dBA

Light Source and Optics

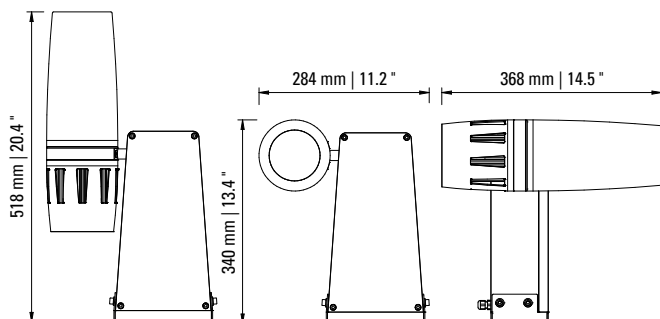
light source: High Power LED, 40 W
 luminous flux of the projector: 2,388 lumens
 efficiency: 51 lumens / watt
 colour temperature: 6,300 - 6,700 K
 colour rendering index: Ra >70
 estimated lifetime of the LED (L70): 35,000 operating hours
 projection lens: Standard Lens, f=85 mm (included)
 gobo size / image size: Ø 50.0 mm / Ø 40.0 mm
 photobiological safety (ICE62471-5:2015, EN62471-5:2015): RG-2

Electrical Specifications

input voltage: 220 - 240V AC, 50/60 Hz
 power consumption: 47 W
 power factor: 0.95 cos. φ
 electrical protection class: I
 max. number of devices per circuit breaker B16A/C16A: 24/40
 available lighting control options: DALI, 1–10V, DMX

Item No.: 20045830 (silver)

Additional Accessories: individual glass gobo, made with your digital artwork, Extra Wide Angle Lens, f=45 mm, Telephoto Lens, f=135 mm



Important note on the use of projection motifs (gobos):

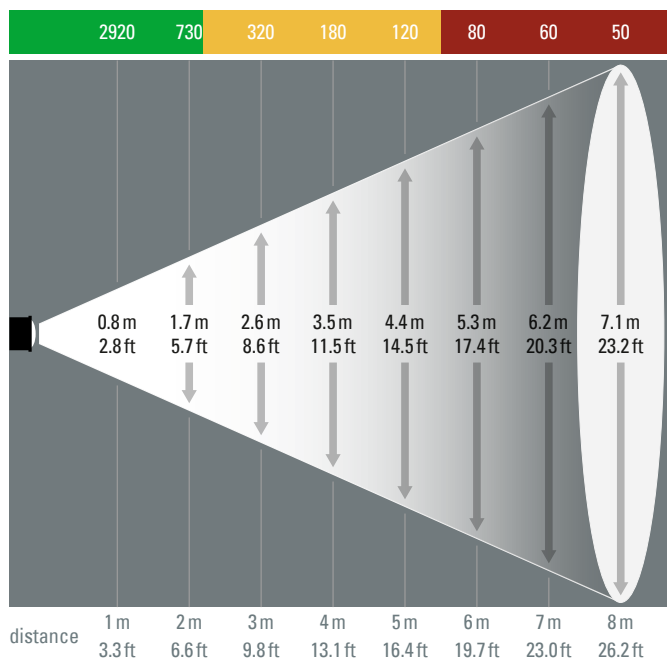
Please note that the projection motif (gobo) must be glued into the PHOS rotator gobo holder (item no. 09963600). Therefore, always order your projection motif (gobo) for PHOS rotator in combination with the gobo holder.



PHOS 45 rotator indoor – Photometric Diagrams

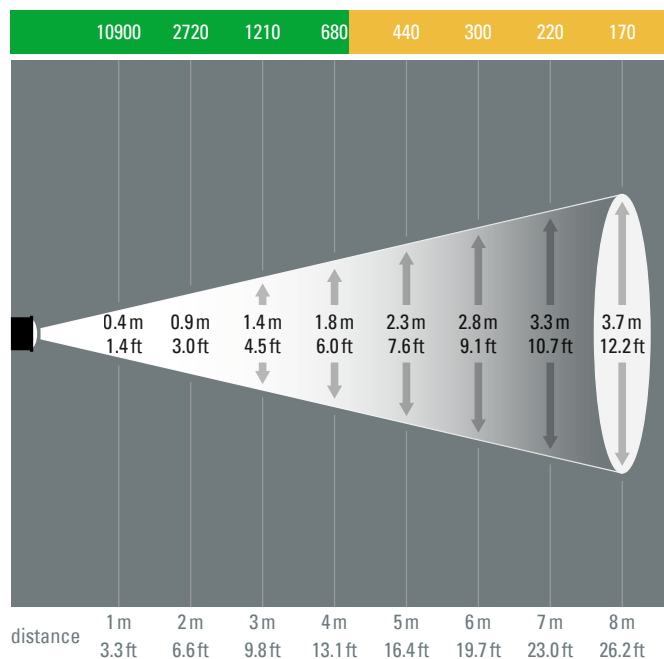
PHOS 45, Extra Wide Angle Lens, f = 45 mm, 48°

illuminance [lux]



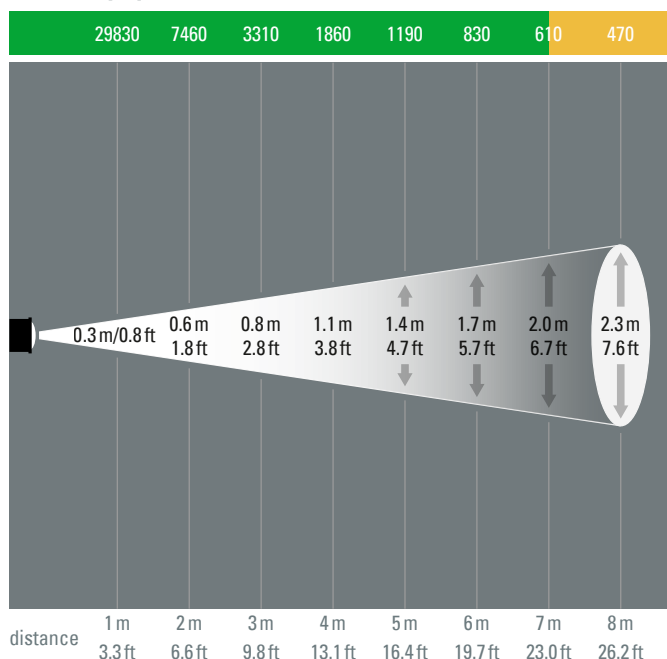
PHOS 45, Standard Lens, f = 85 mm, 26°

illuminance [lux]



PHOS 45, Telephoto Lens, f = 135 mm, 17°

illuminance [lux]



Brightness Colour Coding:

- = with standard room lighting, suitable for coloured motifs
- = in low-light rooms, for motifs without colour
- = recommended only in darkened rooms

- The results shown are approximate values. The result may differ slightly in reality.
- The projection sizes indicate the maximum diameter that can be projected with a Ø 40 mm image.
- The projection motif is circular and fills the image area of the gobo. Other objects, e.g. rectangles or texts are fitted into the circular projection area.
- The projection is at right angles to the projection surface.

Detailed projection calculator at: www.derksen.de

derksen®
lichttechnik

Derksen Lichttechnik GmbH
Johannes-Rau-Allee 4
45889 Gelsenkirchen
Germany

Tel.: +49 209 98070-0
info@derksen.de
www.derksen.de