

TENORE 1 HDW

Thanks, its multi-chip source technology, the Tenore 1 HDW offers superior light quality, both white with an optimal Colour Rendering Index of 98, Television Lighting Consistency Index of 96 and saturated colours palette with 100 gel filter presets.

Tenore 1 brings outstanding performance to the Tenore range in a compact design. With its 6-color LED engine, it provides excellent colour accuracy, perfect for highlighting details with clarity and intensity. It's highly versatile, allowing you to switch between a Fresnel lens for soft, even light and a PC lens for a sharper beam. Tenore 1 offers more creative possibilities and is a dependable, innovative choice for professionals who need high-quality lighting tools.

The Tenore 1 HDW, is an ideal choice for anyone who needs a powerful, small dimension and high-quality light source. With its high performance and reliability, it is a product that will certainly satisfy the most demanding needs of the professional lighting sector.

Thanks to the advanced technology and the quality of the materials used, the Tenore 1 HDW is a resistant and reliable product, capable of guaranteeing excellent performance over time.

Furthermore, its compact and lightweight design makes it easy to transport and install, allowing it to be adapted to different lighting needs.

Last but not least, it is completely designed and assembled in Italy, in the DTS production factory in the province of Rimini.



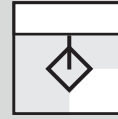
APPLICATIONS

Theatre, TV studio, Virtual Production, Auditorium, Conference Hall, Theme Parks and Places of Worship.

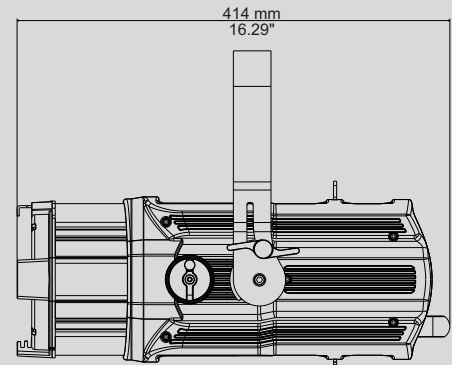
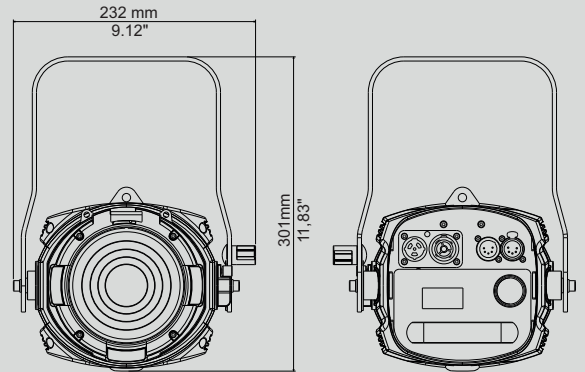
FEATURES



CERTIFICATIONS



FRESNEL / PC LENS
BRACKET INSTALLATION
TUNABLE WHITE



SKILLS

The Tenore 1 HDW offers a powerful concentrated light with a uniform and regular distribution.

Wide range of zoom excursion from 10° to 68° Fresnel lens and 8° to 68° PC lens.

3'860 Lumens output with less Power Consumption, only 135W.

High Quality of Light: CRI 98 and TLCI 96

Selection of 100 gel filters selectable in any CCT.

Graphic display and Jog Shuttle encoder for easy and intuitive navigation within the menu.

CODE

03.TTN201. 49 BLACK . F FRESNEL
65 WHITE . A ANTHALO

FINITURES



TECHNICAL DATA

OUTPUT

- Multi chip Led Source
- Lumens output: 3800 (Fresnel Lens)
- Lumens output: 3860 (PC Lens)
- CRI: up to 98
- TLCI: up to 96
- LED Lifespan: 50000 hours (L70B10)

OPTICAL GROUP

- Ø120 mm Fresnel lens - 10°-68° linear Zoom
- Ø120 mm PC lens - 8°-68° linear zoom

WHITE GENERATION

- 6-color LED engine
- Linear CCT (1800 K - 10000 K)
- Linear 'Green saturation'

DIMMER

- 'Hi-Q Dimming' technology – guarantees a perfect linearity in the increase / attenuation of brightness of multi-chip LED sources, even at low dimming levels, without visible 'steps' between adjacent values
- Tungsten emulation - CCT variation emulates behavior of Halo-lamps

CONTROL

- LCD graphic display + Jog Shuttle
- RDM/DMX 512 protocols
- 'Standard', 'Silent', 'Ultra Silent' and 'Automatic' fan modes Noise level
- Standard: 23dBA @ 1m (normal operation, 100% power)
- Silent: 22dBA @ 1m (normal operation, 100% power)
- Ultra Silent: 21dBA @ 1m (normal operation, 90% power)
- Automatic: fans adapt to operational status (output power priority)
- Firmware updatable via DTS firmware uploader dongle

DMX

- 2 DMX modes:
- CCT (Default) - Correlated Color Temperature
- Basic - Dimmer 8 bit with Correlated color Temperature control

POWER SUPPLY

- Wide range 100/240 Vac 50-60 Hz
- Power consumption: 135 W max / 230Vac
- Power Factor: PF >0.94

CONNECTIONS

- DMX: XLR 5 pole In/Out panel connectors
- Power supply: PowerCON TRUE1 In/Out panel connectors

CIRCUITS PROTECTIONS

Overvoltage and overtemperature circuits protection

TEMPERATURE

- Operating: -10° +45°
- Storage: -20° +60°

PHYSICAL

- Weight:
- FR - 5,3 Kg (11,7 lbs)
- PC - 5,6 Kg (12,3 lbs)
- Finishing: Black - White
- IP rating: IP20

TEST AND CERTIFICATION

- CE

ACCESSORIES

INCLUDED

- 1x PowerCON TRUE1 female cable connector (code 0520P066)
- 1x XLR 5 pins female cable connector (code 0508B147)
- 1x XLR 5 pins male cable connector (code 0508B148)
- 1x Filter frame Black finishing - already installed on the projector (code 02M093600.49)

ON REQUEST

- Fresnel lens kit (cod. 02SK0571)
- Antihalo PC lens kit (cod. 02SK0572)
- Barndoor 4 leaf Black finishing (code 03.TBD10.49)
- Tophat Black finishing (code 03.TA241)
- Outdoor DMX cable 2 x 0,25 mm2 - Flame retardant (code 0509C158)
- Aliscap clamp for Ø 48-51 mm tube-max load 100 Kg, indicated for any kind of loads, both vertical and/or horizontal (code 0521A033)
- Professional G-QUICK clamp - max load 100 Kg, not indicated for horizontal load (code 0521A037)
- Safety cable 3 x 600 mm - BGV-C1 certified (code 0521A049)
- Single stranded: Max 20 Kg
- Double stranded: Max 30 Kg
- Safety cable for Barndoor / Filterframe - Ø 0,8mm (code 0521A048)
- DTS firmware uploader dongle (code 03.LA.206)

INTERCHANGABLE LENS



PHOTOMETRIC DATA

TENORE 1 HDW FRESNEL	mt 2	mt 4	mt 6	mt 8	mt 10	
Zoom min. Beam angle 10°	11000	2750	1222	688	440	lux center (lx)
	1022	256	114	64	41	foot candles (fc)
	35	70	105	140	175	diameter (cm)
	1,15	2,30	3,44	4,59	5,74	diameter (ft)

TENORE 1 HDW FRESNEL	mt 2	mt 4	mt 6	mt 8	mt 10	
Zoom max. Beam angle 68°	1440	360	160	90	58	lux center (lx)
	134	33	15	8	5	foot candles (fc)
	270	540	809	1079	1349	diameter (cm)
	8,85	17,70	26,56	35,41	44,26	diameter (ft)

TENORE 1 HDW PC	mt 2	mt 4	mt 6	mt 8	mt 10	
Zoom min. Beam angle 8°	15600	3900	1733	975	624	lux center (lx)
	1450	362	161	91	58	foot candles (fc)
	28	56	84	112	140	diameter (cm)
	0,92	1,84	2,75	3,67	4,59	diameter (ft)

TENORE 1 HDW PC	mt 2	mt 4	mt 6	mt 8	mt 10	
Zoom max. Beam angle 68°	1480	370	164	93	59	lux center (lx)
	138	34	15	9	6	foot candles (fc)
	270	540	809	1079	1349	diameter (cm)
	8,85	17,70	26,56	35,41	44,26	diameter (ft)