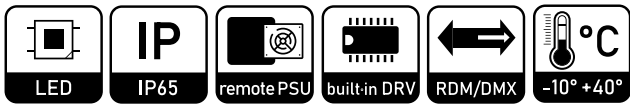


DOCTUS.D 1



FEATURES



CERTIFICATIONS



TREATMENTS



FINITURE

<input type="checkbox"/>	SILVER	28

LED

<input type="checkbox"/>	FULL COLOR (RGBW)	FC

LENS

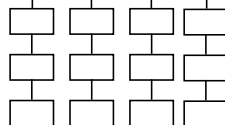
<input type="checkbox"/>	SP - 10°	10
<input type="checkbox"/>	MF - 25°	25
<input type="checkbox"/>	WF - 35°	40
<input type="checkbox"/>	40°x12°	E1
<input type="checkbox"/>	12°x40°	E2

FILTER

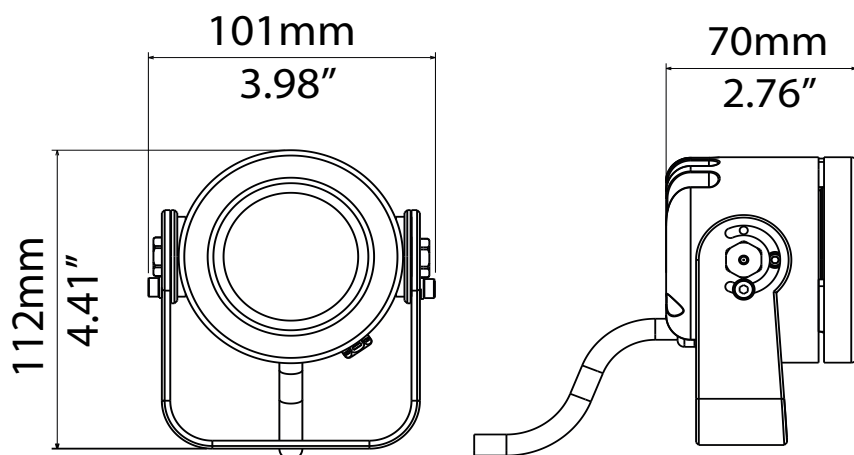
<input type="checkbox"/>	NO FILTER	/
<input type="checkbox"/>	HONEY COMB	A

DOCTUS.D 1

03.DTB004E



TECHNICAL



OUTPUT	• 1 x 4-colors LEDs (RGBW) or RGBA)
	• LED lifespan: 50,000 hours (70% lumen output)
OPTICAL GROUP	<ul style="list-style-type: none"> • Narrow flood 10° • Medium flood 25° • Wide flood 35° • Elliptical 40°x12° • Elliptical 12°x40°
CONTROL	<ul style="list-style-type: none"> • DMX 512 / RDM protocols • Firmware updatable via DTS firmware uploader dongle
DMX	<ul style="list-style-type: none"> • 4 DMX channels (Default) • 11 channels
POWER SUPPLY	<ul style="list-style-type: none"> • LED driver on board • External constant voltage PSU LED driver 24 ÷ 48 VdC
	• Consumption: max 13 W
CONNECTIONS	• 5 m end-stripped 4-pole cable for Power and DMX
PHYSICAL	<ul style="list-style-type: none"> • Housing: Aluminium • Weight: 1 Kg (2.2 lbs) - Product's weight includes 5 m (197") cable

ACCESSORIES ON REQUEST



0502T063 • Constant voltage PSU 48VdC 100W IP67

0502T056 • Constant voltage PSU 24VdC 100W IP67



0502T099 • Constant voltage PSU 240W-48Vdc IP67 ON-OFF

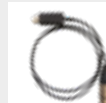
0502T102 • Constant voltage PSU 90W-30Vdc IP67 ON-OFF



0509C152 • 4-pole outdoor cable 4 x 0.5 mm²



03.LA.063.1 • Dongle DLC 901



03.LA.206 • DTS firmware uploader dongle



03.LA.246 • Top hat



0521A010 • Safety cable - 3 x 600 mm - max. capacity load 30 Kg (66 lbs)