

DTS

ARCHITAINMENT LIGHTING SOLUTIONS

2021



NEVER STOP EVOLVING

**ITALIAN
PROFESSIONAL
LIGHTING**

D.T.S. Illuminazione S.r.l.
via Fagnano Selve, 12/14
47843 Misano adriatico (RN) Italy
+39 0541 611131
www.dts.lighting

All specifications subject to change without notice

**ARCHITAINMENT LIGHTING SOLUTIONS
PRODUCT LIST 2021**

OUTDOOR PROJECTORS

MINI BRICK 12	10-11
BRICK 24	12-13
X-BRICK 32	14-15

FOS 33	19-20
FOS 100	20-21
FOS.S 100 POWER	22-23
FOS 100 POWER	24-25

FREELINE 90 -60 -30	28-29
---------------------	-------

DOCTUS 1	32-33
DOCTUS 3	34-35
DOCTUS 6	36-37
DOCTUS 12	38-39
DOCTUS 1 WH	40-41
DOCTUS 3 WH	42-43
DOCTUS 6 WH	44-45
DOCTUS 12 WH	46-47

FOCUS 1	50-51
FOCUS 1 PINSPOT WH	52-53
FOCUS 1 POWER WH	54-55
FOCUS.D ZOOM IP65	56-57
FOCUS.D 3	58-59
FOCUS 3	60-61
FOCUS.D 6	62-63
FOCUS 6	64-65

HELIOS.D 6	68-69
HELIOS 6	70-71
HELIOS 9 WH	72-73

UNDERWATER PROJECTORS

DONUT 6	76-77
DONUT 12	78-79
DONUT 18	80-81

DIVE 1	84-85
DIVE 3	86-87
DIVE.D 6	88-89
DIVE 6	90-91
DIVE 12	92-93
DIVE 12 48VDC	94-95

AKHELIOS 1	98-99
AKHELIOS 3	100-101

AKHELIOS.D 6	102-103
AKHELIOS 6	104-105
AKHELIOS 12	106-107
AKHELIOS 12 48VDC	108-109

INDOOR PROJECTORS

VICE 1 DOWNLIGHT	112-113
FOCUS.D ZOOM IP20	116-117

SCENA LED 80 (RGBW)	120-121
SCENA LED 80 (CT - WH)	122-123
SCENA LED 120 (HQS)	124-125
SCENA LED 200 (RGBW)	126-127
SCENA LED 200 (CT - WH)	128-129

CEILING MOVING HEADS

ALCHEMY 3 CEILING	132-133
EUPHONY 3 CEILING	134-135

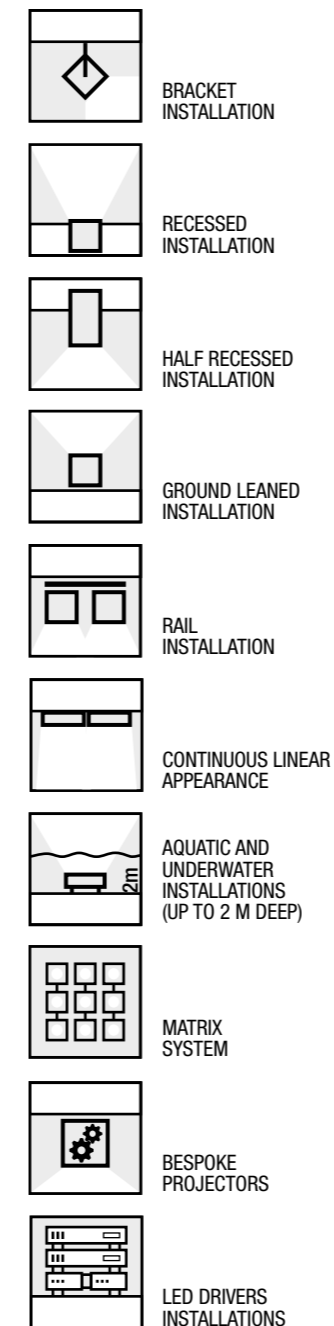
LED DRIVERS

DRIVENET 28C DIN	138-139
DRIVENET 28 EZ	140-145
DRIVENET 416	140-145
DRIVENET 832	140-145
DRIVENET 1664	140-145
DRIVENET 832 24 VDC	140-145
DRIVENET 1664 24 VDC	140-145
DRIVENET 416 POWER	140-145
DRIVENET 832 POWER	140-145
DRIVENET 832 POWER 24 VDC	140-145

BESPOKE

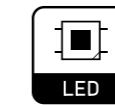
	146-147
--	---------

APPLICATION FEATURES



TECHNICAL FEATURES

SOURCE



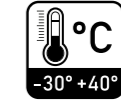
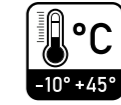
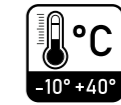
CONTROL



IP PROTECTION DEGREE



OPERATION TEMPERATURE RANGE



TREATMENTS



IMPACT PROTECTION RATING



IMPACT PROTECTION RATING

INTERNATIONAL CERTIFICATIONS



Illuminare le forme è illuminare le emozioni.

La progettazione illuminotecnica può caratterizzare in modo univoco un progetto architettonico. Per questo è importante porre la massima cura nella scelta del prodotto così da garantire la corretta gamma cromatica e la giusta potenza.

La qualità della luce, la corretta diffusione e la scelta del colore sono i pilastri su cui si regge la valorizzazione architettonica, espositiva o di comunicazione, tale da conferire ad ogni progettazione personalità e stile e da stimolare il coinvolgimento e il benessere. L'illuminazione diviene così un elemento di magia unico: con la giusta luce, nel giusto luogo, al momento giusto, l'ordinario può diventare veramente straordinario.

DTS crea strumenti per dare vita alla luce progettando soluzioni per emozionare, stupire e ispirare. In oltre 40 anni, l'azienda, lavorando a stretto contatto con i lighting designer, ha ampliato le proprie competenze e continua a perseguire il valore senza tempo dell'artigianato italiano.

Illuminating shapes, lighting up emotions.

The lighting project can add value to an architectural design in an extraordinary way. For this reason, it is essential to use the utmost care in choosing the right products, in order to offer the correct chromatic range and the right power.

The quality of light, the right quantity and the choice of color are the pillars for the best architectural, exhibition or communication enhancement. They lend personality and style as well as stimulate engagement and wealth. Lighting thus becomes an element of unique magic: with the right light in the right place at the right time, the ordinary can become truly extraordinary.

DTS create tools for breathing life into light , by designing and building solutions to excite, amaze and inspire. Working closely with lighting designers, the company have spent over 40 years developing unrivalled expertise, applying the timeless value of Italian craftsmanship to everything they do.

Dal design industriale alla personalizzazione completa.

La vera forza in DTS sono le persone che assicurano all'azienda l'esperienza per fornire una gamma completa di prodotti, servizi e soluzioni.

DTS vuole vincere la sfida di trasferire la grande qualità illuminotecnica richiesta dall'industria dell'intrattenimento, nelle applicazioni architettoniche. L'”Architainment” rappresenta la perfetta armonia tra i due segmenti e offre una soluzione pragmatica per adattare la dinamicità della luce agli spazi multifunzionali.

Reparto R&D e lighting designer interno

Un team altamente qualificato è sempre disponibile a fornire consulenza esperta, valutando a fianco dei clienti la migliore soluzione tecnica per ogni esigenza.

Personalizzazione industriale

Il controllo dell'intera catena produttiva permette di offrire un servizio all-inclusive, dalla progettazione del prodotto a un prototipo operativo per fornire prodotti personalizzati adatti a qualsiasi installazione.

Supporto pre e post-vendita

Lavorare per soddisfare esigenze sempre più sofisticate richiede un team qualificato in grado di supportare i clienti in qualsiasi fase della relazione.

From industrial project to customization and post-sales support.

The brightest lights in DTS are the people and their expertise, through which the company provides a comprehensive range of products, services and solutions.

DTS aim at winning the challenge of transferring the great quality of white light and color generation, from the entertainment industry, to the architectural applications. “Architainment” represents the perfect harmony between the two market segments and offers a pragmatic solution to adapt the creativity of the entertainment lighting to multifunctional spaces.

R&D department and in-house lighting designer

A highly qualified team is always available to provide a skilled advice, evaluating the best technical solution for each need.

Industrial customization

The control of the entire production chain allows to offer an all-inclusive service, from the product design to an operating prototype and, eventually, to the delivery of customized products for any installation.

Pre and Post-sale support

Satisfying the more and more sophisticated demands requires a very skilled team, able to support customers at any stage.

BRICK SERIES

LINEA BRICK

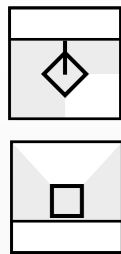


The BRICK line features newly designed wash projectors that, thanks to their sturdy body and the IP65 protection, are suitable for many different types of installation. The dynamic, textured colors are combined with a high-impact light power, making the line ideal for outdoor applications, enhancing vertical surfaces and large facades. The line's products are also equipped with a range of easily interchangeable projection angles, that can be changed without modifying the installation.

Brick products are also available with ACC treatment, which makes the product suitable for climates with high humidity and saltiness, as well as for cold temperatures.

BRICK è la linea di proiettori wash di nuova concezione, adatti ad innumerevoli tipologie di installazione, grazie alla scocca resistente e alla protezione IP65. La dinamicità e la consistenza del colore si abbinano ad una potenza luminosa di grande impatto e rendono la linea ideale per applicazioni in ambienti esterni, per la valorizzazione di superfici verticali e ampi spazi. I prodotti della linea sono inoltre dotati di una gamma di angoli di proiezione facilmente intercambiabili così da poterne variare l'angolo di proiezione senza modificare l'installazione.

La linea Brick è disponibile anche con trattamento ACC con cui il prodotto viene reso più resistente a climi con alti livelli di umidità e salsedine, oltre a rigide temperature.



MINI BRICK 12



FEATURES



CERTIFICATIONS



TREATMENTS

FINITURE

	SILVER - RAL 9006	21
	BLACK - RAL 9005 FINE TEXTURE	11

LED

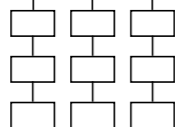
FULL COLOR (RGBW)	FC
HQS (RGBA)	FY

LENS

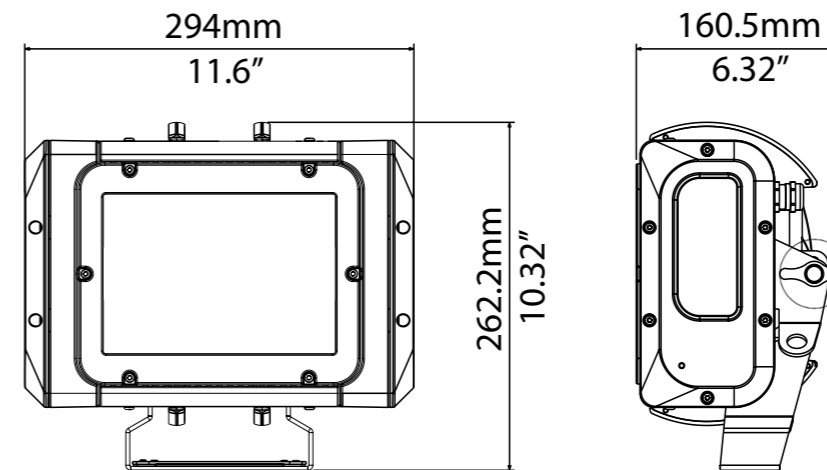
8° + HOLO F.	/
MF - 28°	25

MINI BRICK 12

03.LDB120S



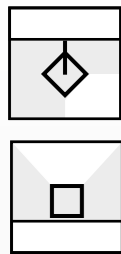
TECHNICAL



OUTPUT	• 12 x 4-colors LEDs
	• Lumen output (RGBW): 5,800 @ 700 mA • Lumen output (HQS): 5,448 @ 700 mA - CRI >90
	• LED lifespan: 50,000 hours (70% lumen output)
OPTICAL GROUP	• Ultra-Narrow 8° + 3 quick-mounting holographic filters included (20° / 40° / 60°x10°)
	• Medium flood 28°
CONTROL	• DMX 512 / RDM protocols
	• 4-digit 7-segment LED display + 4 soft keys
	• Firmware updatable via DTS firmware uploader dongle
DMX	• 10 DMX channels (Default)
POWER SUPPLY	• Built-in wide range PSU 100-240Vac 50-60 Hz
	• Consumption: 200 W max
	• Power Factor: PF > 0.94
CONNECTIONS	• Power supply: 3 x 1 sq mm cable (1.5 m length)
	• DMX In/Out: 0.7 m cable with XLR 5 pins IP65 connector
CIRCUITS PROTECTION	• Overvoltage and overtemperature circuits protection
PHYSICAL	• Housing: Aluminium
	• Weight: 7 Kg (15.4 lbs)
ACCESSORIES INCLUDED	• 1 x PowerCON TRUE1 female cable connector (code 0520P066)
	• 1 x PowerCON TRUE1 male cable connector (code 0520P067)
	• 1 x Display UV protection (code 03.LA.218)
	• 1 x Omega bracket with "Fast Lock" connection 1/4 turn (code 02K00467) – already mounted on the unit
	• Only with the Ultra-Narrow version 1x Holographic filter 20° (code 0506A043.D12) 1x Holographic filter 40° (code 0506A045.D12) 1x Holographic filter 60°x10° (code 0506A092.D12)

ACCESSORIES ON REQUEST

- 0506A043.D12** • Holographic filter 20°
- 0506A045.D12** • Holographic filter 40°
- 0506A092.D12** • Holographic filter 60°x10°
- 0506A101.D12** • Holographic filter 10°
- 0506A103.D12** • Holographic filter 60°
- 0506A121.D12** • Holographic filter 80°
- 0506A119.D12** • Holographic filter 75°x45°
- 03.LA.213** • Floor stand for ground installation
- 03.LA.211** • Barndoor black finishing
- 03.LA.230.11** • Visor black finishing
- 03.LA.214** • Permanent installation kit IP68: Power IN IP68 cable connector 2 x DMX In/Out IP68 cable connectors
- 0509C158** • Outdoor DMX cable 2 x 0.25 mm² - Flame retardant (lengths on request)
- 0509C160** • Power supply cable 3 x 1 mm² (lengths on request)
- 0521A010** • Safety cable - 3 x 600 mm - max. capacity load 30 Kg (66 lbs)
- 03.LA.206** • DTS firmware uploader dongle



BRICK 24



FEATURES



CERTIFICATIONS



TREATMENTS

FINITURE

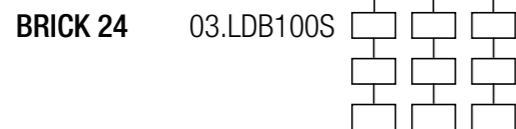
	SILVER - RAL 9006	21
	BLACK - RAL 9005 FINE TEXTURE	11

LED

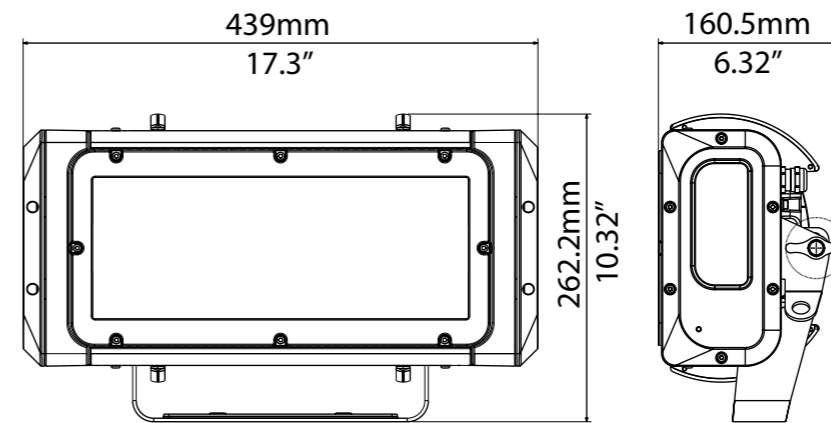
FULL COLOR (RGBW)	FC
HQS (RGBA)	FY

LENS

8° + HOLO F. /	
MF - 28°	25



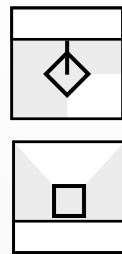
TECHNICAL



OUTPUT	• 24 x 4-colors LEDs
	• Lumen output (RGBW): 11,500 @ 700 mA • Lumen output (HQS): 10,800 @ 700 mA - CRI >90
	• LED lifespan: 50,000 hours (70% lumen output)
OPTICAL GROUP	• Ultra-Narrow 8° + 3 quick-mounting holographic filters included (20° / 40° / 60°x10°) • Medium flood 28°
CONTROL	• DMX 512 / RDM protocols • 4-digit 7-segment LED display + 4 soft keys • Firmware updatable via DTS firmware uploader dongle
DMX	• 10 DMX channels (Default)
POWER SUPPLY	• Built-in wide range PSU 100-240Vac 50-60 Hz
	• Consumption: 400 W max
	• Power Factor: PF > 0.93
CONNECTIONS	• Power supply: 3 x 1 sq mm cable (1.5 m length) • DMX In/Out: 0.7 m cable with XLR 5 pins IP65 connector
CIRCUITS PROTECTION	• Overvoltage and overtemperature circuits protection
PHYSICAL	• Housing: Aluminium
	• Weight: 10 Kg (22 lbs)
ACCESSORIES INCLUDED	• 1 x PowerCON TRUE1 female cable connector (code 0520P066) • 1 x PowerCON TRUE1 male cable connector (code 0520P067) • 1 x Display UV protection (code 03.LA.218) • 1 x Omega bracket with "Fast Lock" connection 1/4 turn (code 02K00467) – already mounted on the unit • Only with the Ultra-Narrow version 1x Holographic filter 20° (code 0506A043.D11) 1x Holographic filter 40° (code 0506A045.D11) 1x Holographic filter 60°x10° (code 0506A092.D11)

ACCESSORIES ON REQUEST

- 0506A043.D11** • Holographic filter 20°
- 0506A045.D11** • Holographic filter 40°
- 0506A092.D11** • Holographic filter 60°x10°
- 0506A101.D11** • Holographic filter 10°
- 0506A103.D11** • Holographic filter 60°
- 0506A121.D11** • Holographic filter 80°
- 0506A119.D11** • Holographic filter 75°x45°
- 03.LA.213** • Floor stand for ground installation
- 03.LA.210** • Barndoor black finishing
- 03.LA.229.11** • Visor black finishing
- 03.LA.214** • Permanent installation kit IP68: Power IN IP68 cable connector 2 x DMX In/Out IP68 cable connectors
- 0509C158** • Outdoor DMX cable 2 x 0.25 mm² - Flame retardant (lengths on request)
- 0509C160** • Power supply cable 3 x 1 mm² (lengths on request)
- 0521A010** • Safety cable - 3 x 600 mm - max. capacity load 30 Kg (66 lbs)
- 03.LA.206** • DTS firmware uploader dongle



X BRICK 32



FEATURES



CERTIFICATIONS



TREATMENTS

FINITURE

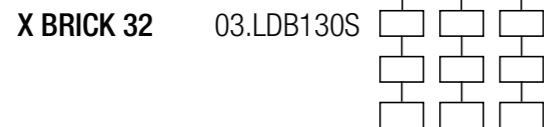
	SILVER - RAL 9006	21
	BLACK - RAL 9005 FINE TEXTURE	11

LED

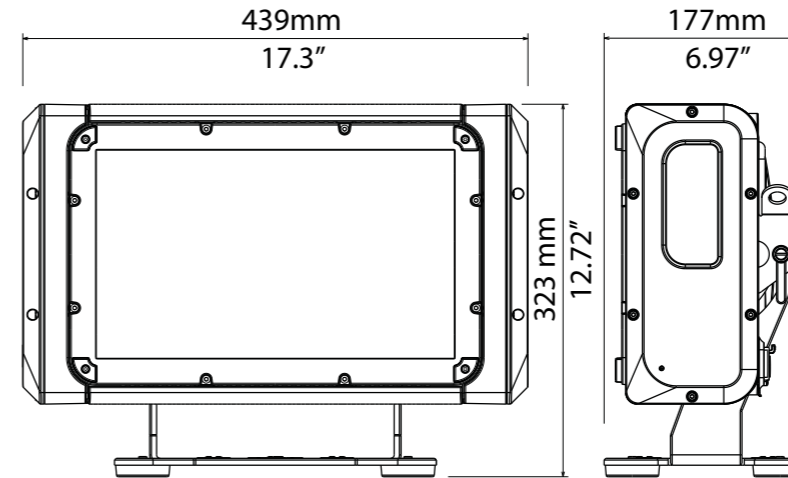
FULL COLOR (RGBW)	FC

LENS

8° + HOLO F.	/



TECHNICAL



OUTPUT	• 32 x 4-colors LEDs
	• Lumen output (RGBW): 15,550 @ 700 mA
	• LED lifespan: 50,000 hours (70% lumen output)
OPTICAL GROUP	• Ultra-Narrow 8° + 3 quick-mounting holographic filters included (20° / 40° / 60°x10°)
CONTROL	<ul style="list-style-type: none"> • DMX 512 / RDM protocols • Wireless DMX transmitter - receiver (built.in) • LCD display + 4-capacitive touch keys • Firmware updatable via DTS firmware uploader dongle
DMX	DMX FULL OPERATION MODES 1. Chase mode (default) 2. Extended mode 3. Sectors RGBW x4 4. Sectors RGBW fine x4 5. Sectors RGBW + Shut + Dim x4
	DMX SINGLE LAYER MODES (Compatibility with all BRICK models) 6. Standard 7. Global RGBW 8. Global RGBW + Shut + Dim 9. Global RGBW + Dim Fine
POWER SUPPLY	• Built-in wide range PSU 100-240Vac 50-60 Hz
	• Consumption: 650 W max
	• Power Factor: PF > 0.93
CONNECTIONS	<ul style="list-style-type: none"> • All connectors are IP65 rated with water-proof caps • Power supply: PowerCon TRUE1 In/Out panel connectors • DMX In/Out: XLR 5-pole In/Out panel connectors
CIRCUITS PROTECTION	• Overvoltage and overtemperature circuits protection
PHYSICAL	• Housing: Aluminium
	• Weight: 14 Kg (31 lbs)
ACCESSORIES INCLUDED	<ul style="list-style-type: none"> • 1 x Holographic filter 20° (code 0506A043.D18) • 1 x Holographic filter 40° (code 0506A045.D18) • 1 x Holographic filter 60°x10° (code 0506A092.D18) • 1 x cable with PowerCON TRUE1 female connector (code 02K0012267.0015) • 1 x XLR 5-pole IP65 female cable connector (code 0508B177) • 1 x XLR 5-pole IP65 male cable connector (code 0508B178) • 1 x Display UV protection (code 03.LA.218) • 1 x Omega bracket with "Fast Lock" connection 1/4 turn (code 02K00467)

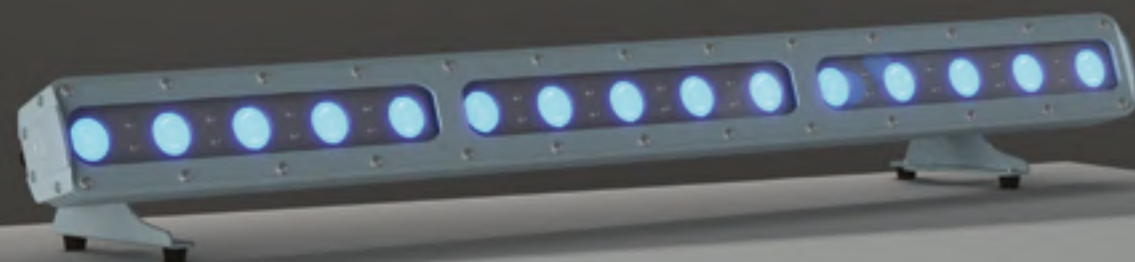
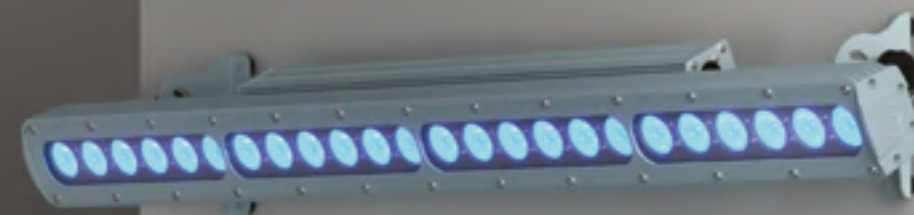
ACCESSORIES ON REQUEST

- 0506A101.D18** • Holographic filter 10°
- 0506A103.D18** • Holographic filter 60°
- 0506A121.D18** • Holographic filter 80°
- 0506A119.D18** • Holographic filter 60°x30°
- 03.LA.237.11** • Barndoor black finishing
- 03.LA.236.11** • Visor black finishing
- 03.LA.214** • Permanent installation kit
IP68: Power IN IP68 cable connector 2 x DMX In/Out IP68 cable connectors
- 0509C158** • Outdoor DMX cable 2 x 0.25 mm² - Flame retardant (lengths on request)
- 0509C040** • Power supply cable 3 x 1.5 mm² (lengths on request)
- 0521A010** • Safety cable - 3 x 600 mm - max. capacity load 30 Kg (66 lbs)
- 03.LA.206** • DTS firmware uploader dongle



FOS SERIES

LINEA FOS

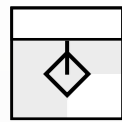


The FOS line includes LED bars available in full color or white LEDs that can be combined with different optics in order to better adapt to the lighting needs of facades, outdoor and indoor environments. The bars are an extremely flexible solution, which tickles the creativity of the designer: they can be used individually or in custom compositions on the walls and to give life to spectacular suspended solutions, even in large spaces.

The Fos bars, available with on-board or remote power source, are equipped with a standard DMX 512 and RDM communication protocol compatible with other projectors and can be programmed remotely.

La linea FOS si compone di proiettori a barra disponibili nelle varianti con LED RGBW o bianchi a cui è possibile abbinare ottiche diverse al fine di adattarsi al meglio alle esigenze di illuminazione di facciate, ambienti esterni ed interni.

Le barre rappresentano una soluzione estremamente flessibile, che stimola la creatività del progettista: possono essere utilizzate singolarmente ma consentono anche di creare composizioni personalizzate sulle pareti o di immaginare scenografiche soluzioni sospese, anche in ambienti di grandi dimensioni. Le barre Fos, disponibili con alimentazione a bordo o remota, sono dotate di protocollo di comunicazione standard DMX 512 e RDM compatibile con altri proiettori.



FOS 33



FEATURES



CERTIFICATIONS



TREATMENTS

FINITURE

<input type="checkbox"/> SILVER - RAL 9006	21
<input type="checkbox"/> BLACK	11

LED

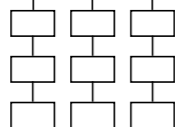
<input type="checkbox"/> FULL COLOR (RGBW)	<input type="checkbox"/> FC

LENS

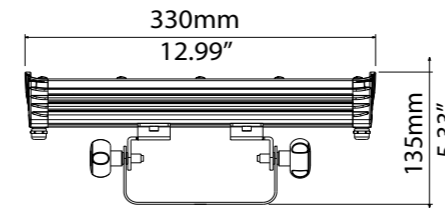
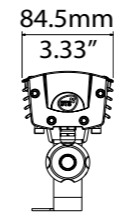
<input type="checkbox"/> MF - 25°	25
<input type="checkbox"/> WF - 40°	40

FOS 33 FC IN/OUT
FOS 33 FC END

03.LBB050E
03.LBB053E



TECHNICAL



OUTPUT	<ul style="list-style-type: none"> • 5 x 4-colors LEDs • Lumen output (RGBW): 1,750 @ 700 mA • LED lifespan: 50,000 hours (70% lumen output)
OPTICAL GROUP	<ul style="list-style-type: none"> • Medium flood 25° • Wide flood 40°
POWER SUPPLY	<ul style="list-style-type: none"> • External CC PSU LED driver 700mA max per channel • Max distance between Drivenet PSU and fixture 100 m • Consumption: max 50 W@ 700mA
CONNECTIONS	<p>END VERSION</p> <ul style="list-style-type: none"> • 30 cm cable with M12 male connector <p>IN/OUT VERSION</p> <ul style="list-style-type: none"> • LED in: 30 cm cable with M12 male connector • LED out: 30 cm cable with M12 female connector
PHYSICAL	<ul style="list-style-type: none"> • Housing: Aluminium • Weight: 1.9 Kg (4.2 lbs)
ACCESSORIES INCLUDED	<ul style="list-style-type: none"> • 1 x M12 female cable connector (code 0520P050)

ACCESSORIES ON REQUEST



03.LA.142 • Barndoor and Holographic filter holder
02M09594.46 • Single side light shield



03.LA.023 • Kit fit joint for joining bars inline



03.LA.024 • Fast-lock bracket kit



Outdoor extension cable with M12 M/F 8 pins - cable Ø 6 mm
03.LA.035.10 • length 10 m - 33 ft
03.LA.035.20 • length 20 m - 66 ft
03.LA.035.30 • length 30 m - 98 ft
03.LA.035.40 • length 40 m - 132 ft
03.LA.035.50 • length 50 m - 164 ft



Outdoor extension cable M12 Female + end stripped 8-pole
02K001157.10 • length 10 m - 33 ft
02K001157.30 • length 30 m - 98 ft
02K001157.50 • length 50 m - 164 ft
02K001157.100 • length 100 m - 328 ft



0509C062.PUR • 8-pole outdoor cable 8 x 0.25 mm²



03.LA.037 • Y-BOX IP65 M12

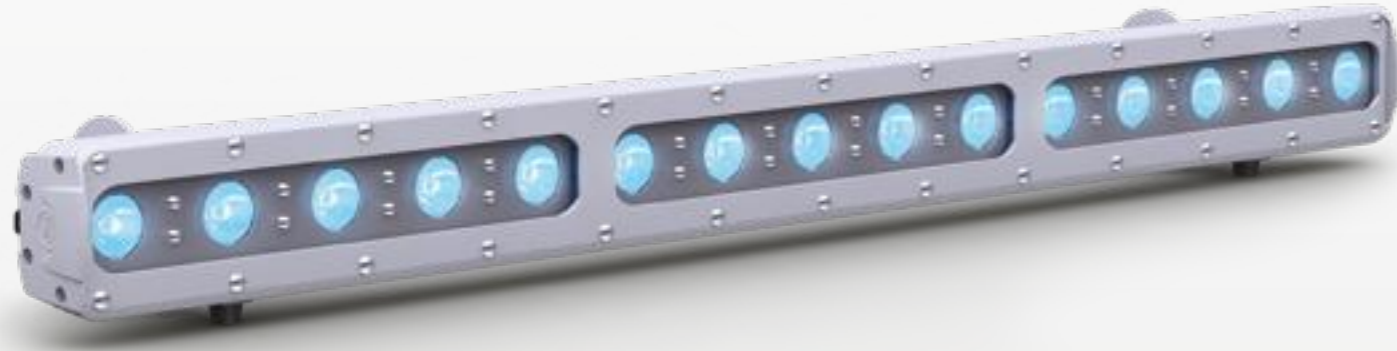


0521A010 • Safety cable - 3 x 600 mm - max. capacity load 30 Kg (66 lbs)

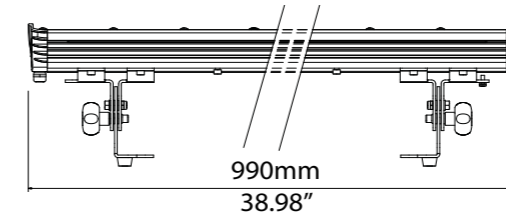
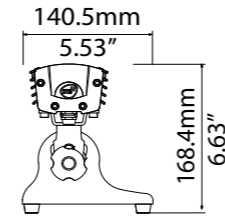
CONNECTIONS CHART

DRIVENET 28C DIN @48Vdc	DRIVENET 28 EZ	DRIVENET 416	DRIVENET 832	DRIVENET 1664
Max 4 (2 items per output)	Max 4 (2 items per output)	Max 8 (2 items per output)	Max 16 (2 items per output)	Max 32 (2 items per output)

FOS 100



TECHNICAL



FEATURES



CERTIFICATIONS



TREATMENTS

FINITURE

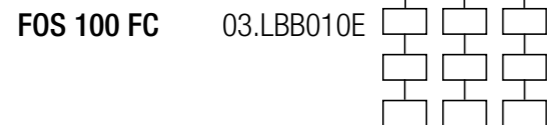
	SILVER - RAL 9006	21
	BLACK	11

LED

FULL COLOR (RGBW)	FC

LENS

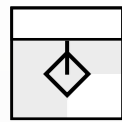
MF - 25°	25
WF - 40°	40



OUTPUT	<ul style="list-style-type: none"> • 15 x 4-colors LEDs • Lumen output (RGBW): 5,250 @ 700 mA • LED lifespan: 50,000 hours (70% lumen output)
OPTICAL GROUP	<ul style="list-style-type: none"> • Medium flood 25° • Wide flood 40°
POWER SUPPLY	<ul style="list-style-type: none"> • External CC PSU LED driver 700mA max per channel • Consumption: max 150 W @ 700mA
CONNECTIONS	<ul style="list-style-type: none"> • 30 cm cable with M12 male connector
PHYSICAL	<ul style="list-style-type: none"> • Housing: Aluminium • Weight: 5 Kg (11 lbs)
ACCESSORIES INCLUDED	<ul style="list-style-type: none"> • 1 x M12 female cable connector (code 0520P050) • 1 x Fit joint for joining bars inline silver finishing (code 02M09519.44) • 1 x M4 knob for fit joint (code 0511P014) • 2 x Short bracket for wall installation (code 03.LA.025)

ACCESSORIES ON REQUEST

- 03.LA.142** • Barndoor and Holographic filter holder
- 02M09594.46** • Single side light shield
- 03.LA.023** • Kit fit joint for joining bars inline
- 03.LA.024** • Fast-lock bracket kit
- Outdoor extension cable with M12 M/F 8 pins - cable Ø 6 mm
- 03.LA.035.10** • length 10 m - 33 ft
- 03.LA.035.20** • length 20 m - 66 ft
- 03.LA.035.30** • length 30 m - 98 ft
- 03.LA.035.40** • length 40 m - 132 ft
- 03.LA.035.50** • length 50 m - 164 ft
- Outdoor extension cable M12 Female + end stripped 8-pole
- 02K001157.10** • length 10 m - 33 ft
- 02K001157.30** • length 30 m - 98 ft
- 02K001157.50** • length 50 m - 164 ft
- 02K001157.100** • length 100 m - 328 ft
- 0509C062.PUR** • 8-pole outdoor cable 8 x 0.25 mm²
- 0521A010** • Safety cable - 3 x 600 mm - max. capacity load 30 Kg (66 lbs)

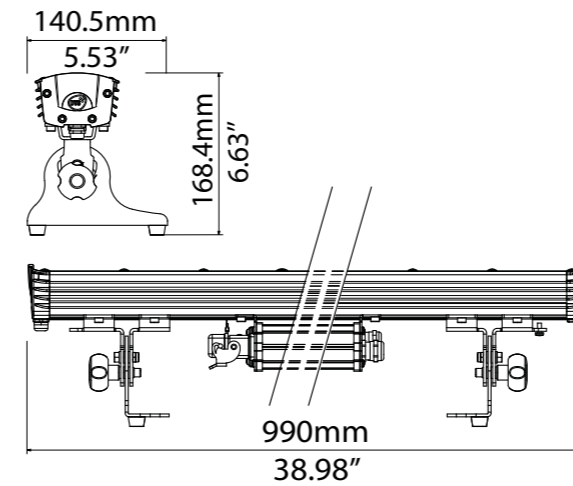


FOS.S 100 POWER


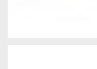





EX FOS SOLO 100 POWER



TECHNICAL



ACCESSORIES ON REQUEST

-  **03.LA.142** • Barndoor and Holographic filter holder
-  **02M09594.46** • Single side light shield
-  **03.LA.023** • Kit fit joint for joining bars inline
-  **03.LA.024** • Fast-lock bracket kit
-  **03.LA.214** • Permanent installation kit
IP68:Power IN IP68 cable connector 2 x DMX In/Out IP68 cable connectors
-  **03.LA.206** • DTS dongle firmware uploader
-  **0521A010** • Safety cable - 3 x 600 mm - max. capacity load 30 Kg (66 lbs)

FEATURES





CERTIFICATIONS



TREATMENTS

FINITURE

 SILVER - RAL 9006	21
 BLACK	11

LED

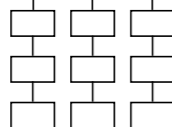
FULL COLOR (RGBW)	FC

LENS

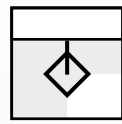
MF - 25°	25
WF - 40°	40

FOS.S 100 POWER FC

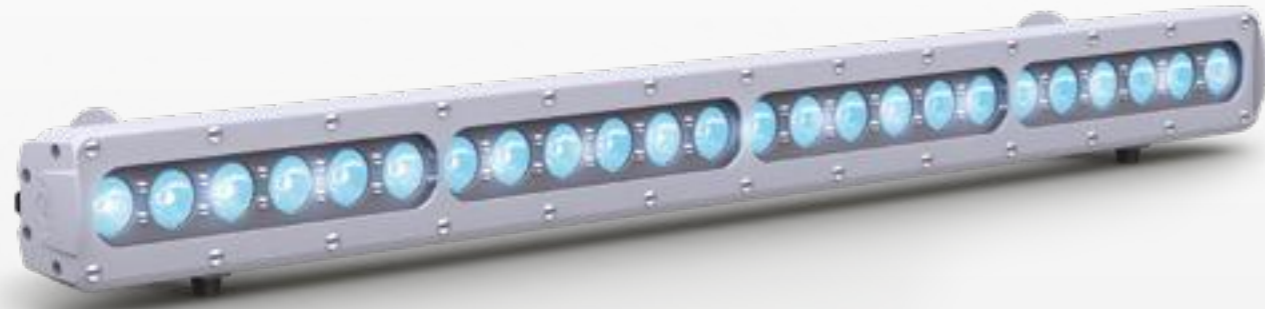
03.LBB011S



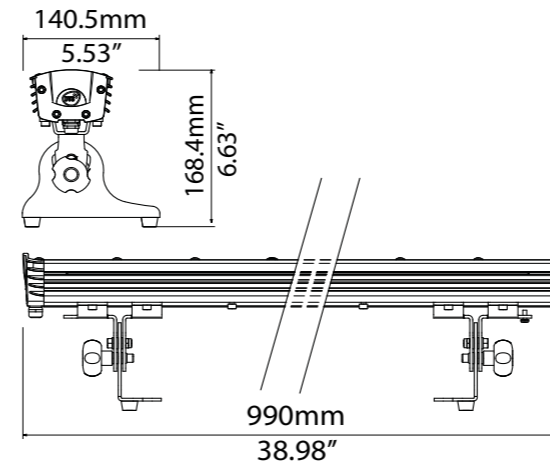
OUTPUT	• 24 x 4-colors LEDs
	• Lumen output (RGBW): 7,500 @ 700 mA
	• LED lifespan: 50,000 hours (70% lumen output)
OPTICAL GROUP	• Medium flood 25°
	• Wide flood 40°
CONTROL	• DMX 512 / RDM protocols
	• 4-digit 7-segment LED display + 4 soft keys
	• Firmware updatable via DTS firmware uploader dongle
DMX	• 10 DMX channels (Default)
POWER SUPPLY	• Integrated wide range PSU 100-240Vac 50-60 Hz
	• Consumption: max 200 W @ 700mA
	• Power Factor: PF > 0.95
CONNECTIONS	• Power IN cable; Power OUT Harting panel connector
	• DMX IN/OUT cable with XLR 5-pole IP65 connectors
CIRCUITS PROTECTION	• Overtemperature circuit protection
PHYSICAL	• Housing: Aluminium
	• Weight: 7.9 Kg (17.4 lbs)
ACCESSORIES INCLUDED	• 1 x fit joint for joining bars inline silver finishing (code 02M09519.44) • 2 x M4 knob for fit joint (code 0511P014) • 1 x HARTING 5 pins male connector (code 02LD0093.1) • 1 x HARTING 4 pins male connector (code 02LD0032) • 2 x Short bracket for wall installation (code 03.LA.025)



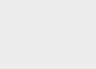
FOS 100 POWER



TECHNICAL



ACCESSORIES ON REQUEST

-  **03.LA.142** • Barndoor and Holographic filter holder
-  **02M09594.46** • Single side light shield
-  **03.LA.023** • Kit fit joint for joining bars inline
-  **03.LA.024** • Fast-lock bracket kit
-  **0521A010** • Safety cable - 3 x 600 mm - max. capacity load 30 Kg (66 lbs)
-  Outdoor extension cable with M16 F 9 pins + end stripped cable.
02K001257.10 • length 10 m - 33 ft
02K001257.20 • length 20 m - 66 ft
02K001257.30 • length 30 m - 98 ft
02K001257.40 • length 40 m - 132 ft
02K001257.50 • length 50 m - 164 ft

FEATURES





CERTIFICATIONS



TREATMENTS

FINITURE

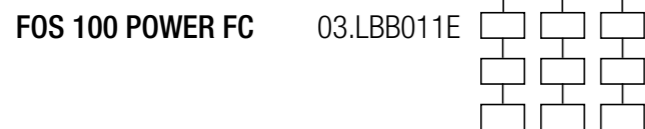
 SILVER - RAL 9006	21
 BLACK	11

LED

FULL COLOR (RGBW)	FC

LENS

MF - 25°	25
WF - 40°	40



OUTPUT	<ul style="list-style-type: none"> • 24 x 4-colors LEDs • Lumen output (RGBW): 8,650 @ 700 mA • LED lifespan: 50,000 hours (70% lumen output)
OPTICAL GROUP	<ul style="list-style-type: none"> • Medium flood 25° • Wide flood 40°
POWER SUPPLY	<ul style="list-style-type: none"> • External CC PSU LED driver • Max distance between Drivenet PSU and fixture 100 m • Consumption: max 140 W @ 700mA • Consumption: max 200 W @ 1A
CONNECTIONS	<ul style="list-style-type: none"> • 80 cm cable with M16 male connector
PHYSICAL	<ul style="list-style-type: none"> • Housing: Aluminium • Weight: 5.2 Kg (11.5 lbs)
ACCESSORIES INCLUDED	<ul style="list-style-type: none"> • 2 x Short bracket for wall installation (code 03.LA.025) • 1 x M16 female cable connector IP67 (code 0508B106) • 1 x fit joint for joining bars inline silver finishing (code 02M09519.44) • 2 x M4 knob for fit joint (code 0511P014)

CONNECTIONS CHART @ 1A

DRIVENET 416 POWER	DRIVENET 832 POWER
Max 4 (1 item per output)	Max 8 (1 item per output)

Drivenet Power must be set @ 1A to power the fixtures

The FREELINE is a compact LED bar series developed with a stylish design and featured with high power color LEDs. Thanks to the IP65-rating, they are suitable for indoor and outdoor applications, to light up facades or for creative installations.

The Freelines, available in three lengths, can be combined with a wide variety of lenses to create the right look for every application. The remote PSU can be installed at up to 100 meters from the fixtures to guarantee the maximum discretion.

La linea FREELINE si compone di barre a LED compatte, sviluppate con un design elegante e caratterizzate da LED RGBW di media potenza.

Grazie alle loro dimensioni contenute, sono adatte per l'illuminazione in radenza delle superfici; mentre la classificazione IP65, le rende perfette per installazioni creative sia in applicazioni indoor che outdoor. I prodotti della linea Freeline, sono disponibili in tre lunghezze e possono essere combinate con un'ampia varietà di lenti per il giusto design in ogni applicazione. La PSU remota può essere installata fino a 100 metri dagli apparecchi per garantire la massima discrezione.

FREELINE SERIES

LINEA FREELINE

FREELINE



FEATURES



CERTIFICATIONS



TREATMENTS

FINITURE

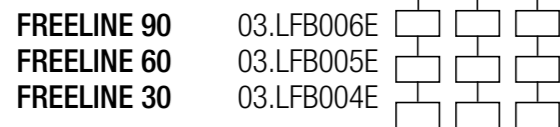
SILVER - RAL 9006	21

LED

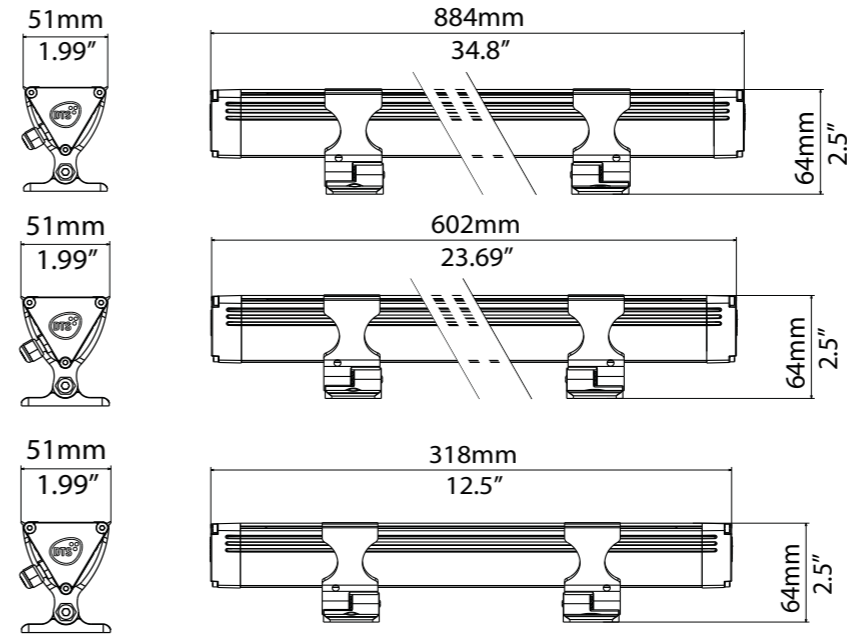
FULL COLOR (RGBW)	FC

LENS

MF - 26°	25
WF - 42°	40



TECHNICAL



	FREELINE 90	FREELINE 60	FREELINE 30
OUTPUT	<ul style="list-style-type: none"> 12 x 4-colors LEDs Lumen output (RGBW): 3,800 @ 500 mA 	<ul style="list-style-type: none"> 8 x 4-colors LEDs Lumen output (RGBW): 2,350 @ 500 mA 	<ul style="list-style-type: none"> 4 x 4-colors LEDs Lumen output (RGBW): 1,150 @ 500 mA
OPTICAL GROUP	<ul style="list-style-type: none"> LED lifespan: 50,000 hours (70% lumen output) Medium flood 26° Wide flood 42° 		
POWER SUPPLY	<ul style="list-style-type: none"> External CC PSU LED driver 700mA max per channel Max distance between Drivenet PSU and fixture 100 m 		
CONNECTIONS	<ul style="list-style-type: none"> Consumption: max 90 W @ 500mA Consumption: max 60 W @ 500mA Consumption: max 30 W @ 500mA 30 cm cable with M12 male connector 		
PHYSICAL	<ul style="list-style-type: none"> Housing: Aluminium Weight: 2 Kg (4.4 lbs) Weight: 1.5 Kg (3.3 lbs) Weight: 0.9 Kg (2 lbs) 		
ACCESSORIES INCLUDED	<ul style="list-style-type: none"> 1 x M12 female cable connector (code 0520P050) 2 x Flexi bracket (code 02SK0250.26) 		

ACCESSORIES ON REQUEST

- Outdoor extension cable M12 Female + end stripped 8-pole
 - 02K001157.10 • length 10 m - 33 ft
 - 02K001157.30 • length 30 m - 98 ft
 - 02K001157.50 • length 50 m - 164 ft
 - 02K001157.100 • length 100 m - 328 ft
- 03.LA.037 • Y-BOX IP65 M12 (Only for Freeline 30 End)
- 0521A010 • Safety cable - 3 x 600 mm - max. capacity load 30 Kg (66 lbs)

CONNECTIONS CHART

	DRIVENET 28C DIN @48Vdc	DRIVENET 28 EZ	DRIVENET 416	DRIVENET 832	DRIVENET 1664
FREELINE 90	Max 2 (1 item per output)	Max 2 (1 item per output)	Max 4 (1 item per output)	Max 8 (1 item per output)	Max 16 (1 item per output)
FREELINE 60	Max 2 (1 item per output)	Max 2 (1 item per output)	Max 4 (1 item per output)	Max 8 (1 item per output)	Max 16 (1 item per output)
FREELINE 30	Max 6 (3 items per output)	Max 6 (3 items per output)	Max 12 (3 items per output)	Max 24 (3 items per output)	Max 48 (3 items per output)

DOCTUS SERIES

LINEA DOCTUS



The DOCTUS line, the newest addition to the DTS catalogue, comes with an elegant and clean design and a variety of sizes that are ideal for both small projects where a light point of detail is required and for medium-sized venues where power and wide light diffusion are essential.

The practical bracket allows to discreetly install the fixtures on the wall and ceiling or on temporary supports where an easy relocation is required. The Doctus has a wide selection of beam angles and is fully IP-rated for permanent outdoor use.



La linea Doctus, ultima arrivata nel catalogo DTS, si presenta con un design elegante e sobrio e con una varietà di dimensioni tali da considerarsi ideali sia per progettazioni di piccoli spazi, in cui magari è richiesto un'illuminazione di dettaglio, fino ad applicazioni più grandi in cui sia considerata essenziale la potenza e l'ampia diffusione luminosa. La pratica staffa con la ruota graduata consente di ruotare e indirizzare con precisione il fascio di luce. I prodotti possono essere installati a parete e soffitto oppure su supporti temporanei nel caso di allestimenti in cui sia richiesta una facile e agevole ricollocazione.

DOCTUS 1



FEATURES



CERTIFICATIONS



TREATMENTS



FINITURE

SILVER - RAL 9006	28

LED

FULL COLOR (RGBW)	FC

LENS

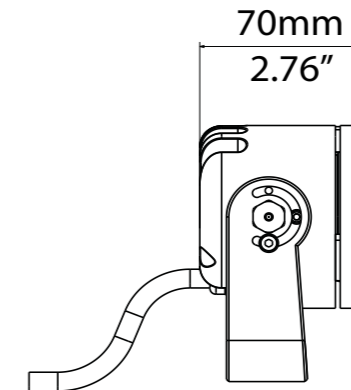
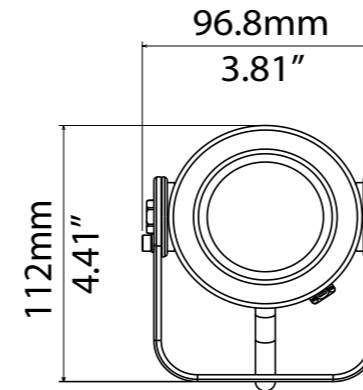
SP - 10°	10
MF - 25°	25
WF - 35°	40
40°x12°	E1

FILTER

HONEY COMB	A



TECHNICAL



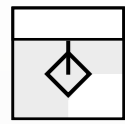
ACCESSORIES ON REQUEST

-  **0509C062.PUR** • 8-pole outdoor cable 8 x 0.25 mm²
-  **03.LA.246** • Top hat
-  **0521A010** • Safety cable - 3 x 600 mm - max. capacity load 30 Kg (66 lbs)

OUTPUT	<ul style="list-style-type: none"> • 1 x 4-colors LEDs • Lumen output (RGBW): 450 @ 700mA • LED lifespan: 50,000 hours (70% lumen output)
OPTICAL GROUP	<ul style="list-style-type: none"> • Narrow flood 10° • Medium flood 25° • Wide flood 35° • Elliptical 40°x12°
POWER SUPPLY	<ul style="list-style-type: none"> • External CC PSU LED driver 700mA max per channel • Max distance between Drivenet PSU and last fixture 100 m (considering 8 x 0.25 mm² cable) • Consumption: max 10 W @ 700mA
CONNECTIONS	<ul style="list-style-type: none"> • 5 m end-stripped 8-pole cable
PHYSICAL	<ul style="list-style-type: none"> • Housing: Aluminium

CONNECTIONS CHART

DRIVENET 28C DIN @48Vdc	DRIVENET 28 EZ	DRIVENET 416	DRIVENET 832	DRIVENET 1664
Max 24 (12 items per output)	Max 24 (12 items per output)	Max 48 (12 items per output)	Max 96 (12 items per output)	Max 192 (12 items per output)



DOCTUS 3



FEATURES



CERTIFICATIONS



TREATMENTS



FINITURE

<input type="checkbox"/>	SILVER - RAL 9006	28
<input type="checkbox"/>		
<input type="checkbox"/>		
<input type="checkbox"/>		
<input type="checkbox"/>		
<input type="checkbox"/>		
<input type="checkbox"/>		
<input type="checkbox"/>		
<input type="checkbox"/>		
<input type="checkbox"/>		

LED

<input type="checkbox"/>	FULL COLOR (RGBW)	FC
<input type="checkbox"/>		
<input type="checkbox"/>		
<input type="checkbox"/>		
<input type="checkbox"/>		
<input type="checkbox"/>		
<input type="checkbox"/>		
<input type="checkbox"/>		
<input type="checkbox"/>		
<input type="checkbox"/>		

LENS

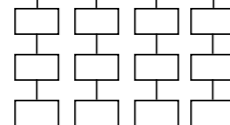
<input type="checkbox"/>	SP - 10°	10
<input type="checkbox"/>	MF - 25°	25
<input type="checkbox"/>	WF - 35°	40
<input type="checkbox"/>	40°x12°	E1
<input type="checkbox"/>		
<input type="checkbox"/>		
<input type="checkbox"/>		
<input type="checkbox"/>		
<input type="checkbox"/>		
<input type="checkbox"/>		

FILTER

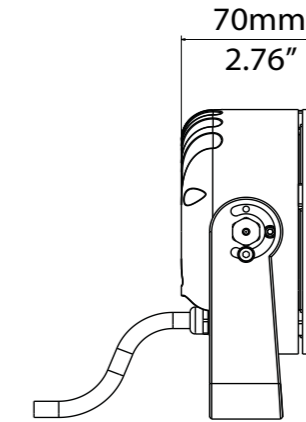
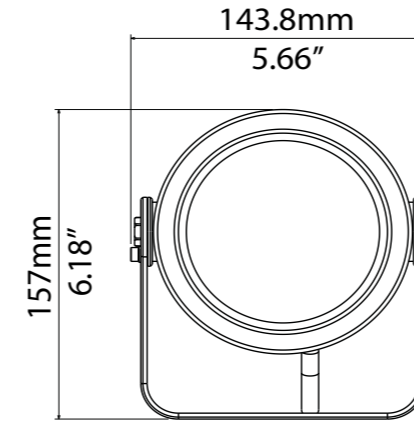
<input type="checkbox"/>	HONEY COMB	A
<input type="checkbox"/>		
<input type="checkbox"/>		
<input type="checkbox"/>		
<input type="checkbox"/>		
<input type="checkbox"/>		
<input type="checkbox"/>		
<input type="checkbox"/>		
<input type="checkbox"/>		
<input type="checkbox"/>		

DOCTUS 3

03.DTB006E



TECHNICAL



OUTPUT	<ul style="list-style-type: none"> 3 x 4-colors LEDs Lumen output (RGBW): 1,150 @ 700mA LED lifespan: 50,000 hours (70% lumen output)
OPTICAL GROUP	<ul style="list-style-type: none"> Narrow flood 10° Medium flood 25° Wide flood 35° Elliptical 40°x12°
POWER SUPPLY	<ul style="list-style-type: none"> External CC PSU LED driver 700mA max per channel Max distance between Drivenet PSU and last fixture 100 m (considering 8 x 0.25 mm² cable) Consumption: max 30 W @ 700mA
CONNECTIONS	<ul style="list-style-type: none"> 5 m end-stripped 8-pole cable
PHYSICAL	<ul style="list-style-type: none"> Housing: Aluminium

ACCESSORIES ON REQUEST



0509C062.PUR • 8-pole outdoor cable



03.LA.247 • Top hat



0521A010 • Safety cable - 3 x 600 mm - max. capacity load 30 Kg (66 lbs)

CONNECTIONS CHART

DRIVENET 28C DIN @48Vdc	DRIVENET 28 EZ	DRIVENET 416	DRIVENET 832	DRIVENET 1664
Max 8 (4 items per output)	Max 8 (4 items per output)	Max 16 (4 items per output)	Max 32 (4 items per output)	Max 64 (4 items per output)

DOCTUS 6



FEATURES



CERTIFICATIONS



TREATMENTS



FINITURE

SILVER - RAL 9006	28

LED

FULL COLOR (RGBW)	FC

LENS

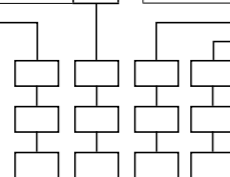
SP - 10°	10
MF - 25°	25
WF - 35°	40
40°x12°	E1

FILTER

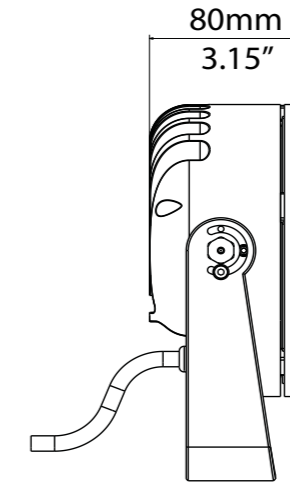
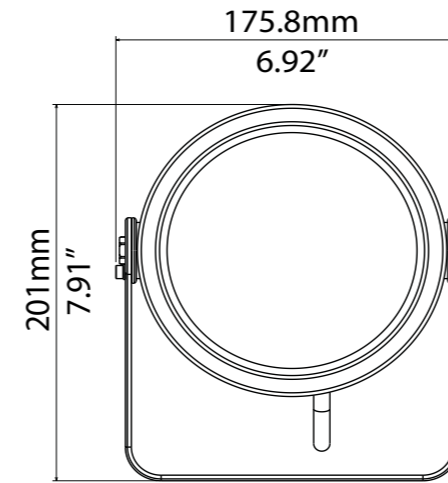
HONEY COMB	A

DOCTUS 6

03.DTB010E



TECHNICAL



OUTPUT	<ul style="list-style-type: none"> 6 x 4-colors LEDs Lumen output (RGBW): 2,750 @ 700mA LED lifespan: 50,000 hours (70% lumen output)
OPTICAL GROUP	<ul style="list-style-type: none"> Narrow flood 10° Medium flood 25° Wide flood 35° Elliptical 40°x12°
POWER SUPPLY	<ul style="list-style-type: none"> External CC PSU LED driver 700mA max per channel Max distance between Drivenet PSU and last fixture 100 m (considering 8 x 0.25 mm² cable) Consumption: max 60 W @ 700mA
CONNECTIONS	<ul style="list-style-type: none"> 5 m end-stripped 8-pole cable
PHYSICAL	<ul style="list-style-type: none"> Housing: Aluminium

ACCESSORIES ON REQUEST



- 0509C062.PUR** • 8-pole outdoor cable
- 03.LA.248** • Top hat
- 0521A010** • Safety cable - 3 x 600 mm - max. capacity load 30 Kg (66 lbs)

CONNECTIONS CHART

DRIVENET 28C DIN @48Vdc	DRIVENET 28 EZ	DRIVENET 416	DRIVENET 832	DRIVENET 1664
Max 4 (2 items per output)	Max 4 (2 items per output)	Max 8 (2 items per output)	Max 16 (2 items per output)	Max 32 (2 items per output)

DOCTUS 12



FEATURES



CERTIFICATIONS



TREATMENTS



FINITURE

SILVER - RAL 9006	28

LED

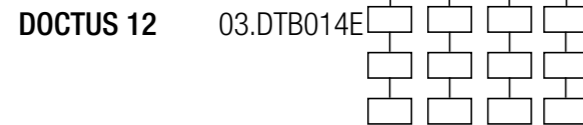
FULL COLOR (RGBW)	FC

LENS

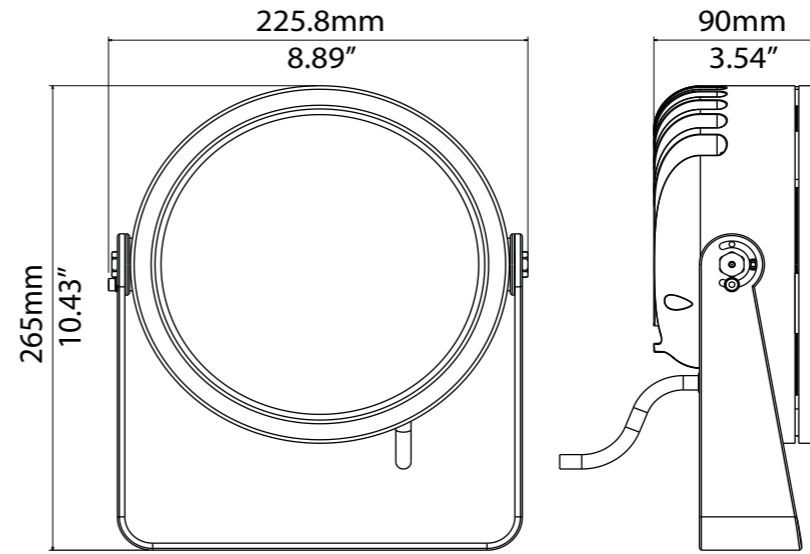
SP - 10°	10
MF - 25°	25
WF - 35°	40
40°x12°	E1

FILTER

HONEY COMB	A



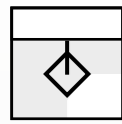
TECHNICAL



OUTPUT	<ul style="list-style-type: none"> • 12 x 4-colors LEDs • Lumen output (RGBW): 5,800 @ 700mA • LED lifespan: 50,000 hours (70% lumen output)
OPTICAL GROUP	<ul style="list-style-type: none"> • Narrow flood 10° • Medium flood 25° • Wide flood 35° • Elliptical 40°x12°
POWER SUPPLY	<ul style="list-style-type: none"> • External CC PSU LED driver 700mA max per channel • Max distance between Drivenet PSU and last fixture 100 m (considering 8 x 0.25 mm² cable) • Consumption: max 120 W @ 700mA
CONNECTIONS	<ul style="list-style-type: none"> • 5 m end-stripped 8-pole cable
PHYSICAL	<ul style="list-style-type: none"> • Housing: Aluminium

ACCESSORIES ON REQUEST

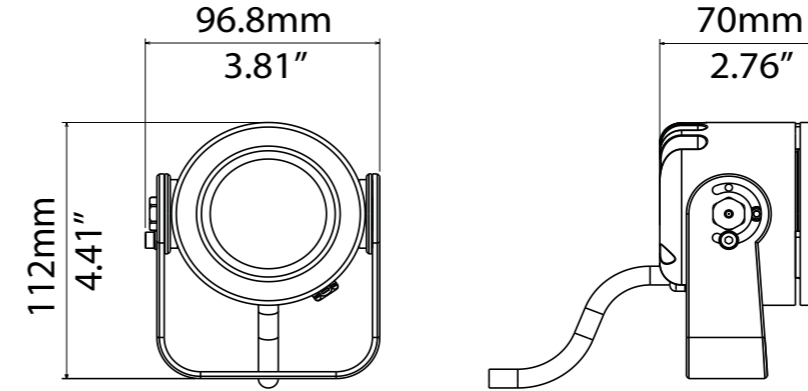
-  **0509C062.PUR** • 8-pole outdoor cable
-  **03.LA.249** • Top hat
-  **0521A010** • Safety cable - 3 x 600 mm - max. capacity load 30 Kg (66 lbs)



DOCTUS 1 WH



TECHNICAL



ACCESSORIES ON REQUEST

- 0509C062.PUR** • 8-pole outdoor cable 8 x 0.25 mm²
- 03.LA.246** • Top hat
- 0521A010** • Safety cable - 3 x 600 mm - max. capacity load 30 Kg (66 lbs)

FEATURES



CERTIFICATIONS



TREATMENTS



FINITURE

SILVER - RAL 9006	28

LED

WHITE 3000 K	WB
WHITE 4000 K	WE

LENS

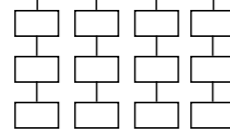
SP - 10°	10
MF - 25°	25
WF - 35°	40
40°x12°	E1

FILTER

HONEY COMB	A

DOCTUS 1 WH

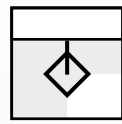
03.DTB002E



OUTPUT	<ul style="list-style-type: none"> • 1 x White LED • Lumen output (3000 K): 920 @ 700mA • Lumen output (4000 K): 1,000 @ 700mA • CRI > 90 • LED lifespan: 50,000 hours (70% lumen output)
OPTICAL GROUP	<ul style="list-style-type: none"> • Narrow flood 10° • Medium flood 25° • Wide flood 35° • Elliptical 40°x12°
POWER SUPPLY	<ul style="list-style-type: none"> • External CC PSU LED driver 700mA max per channel • Max distance between Drivenet PSU and last fixture 100 m (considering 8 x 0.25 mm² cable) • Consumption: max 10 W @ 700mA
CONNECTIONS	<ul style="list-style-type: none"> • 5 m end-stripped 8-pole cable
PHYSICAL	<ul style="list-style-type: none"> • Housing: Aluminium

CONNECTIONS CHART

DRIVENET 28C DIN @48Vdc	DRIVENET 28 EZ	DRIVENET 416	DRIVENET 832	DRIVENET 1664
Max 24 (12 items per output)	Max 24 (12 items per output)	Max 48 (12 items per output)	Max 96 (12 items per output)	Max 192 (12 items per output)



DOCTUS 3 WH



FEATURES



CERTIFICATIONS



TREATMENTS



FINITURE

<input type="checkbox"/>	SILVER - RAL 9006	28

LED

<input type="checkbox"/>	WHITE 3000 K	WB
<input type="checkbox"/>	WHITE 4000 K	WE

LENS

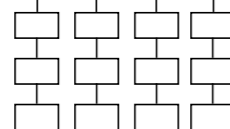
<input type="checkbox"/>	SP - 10°	10
<input type="checkbox"/>	MF - 25°	25
<input type="checkbox"/>	WF - 35°	40
<input type="checkbox"/>	40°x12°	E1

FILTER

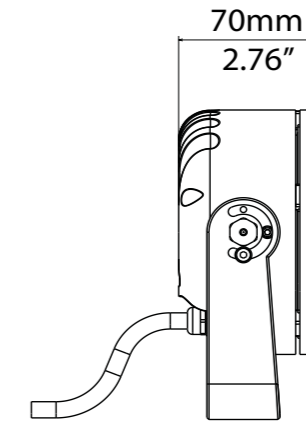
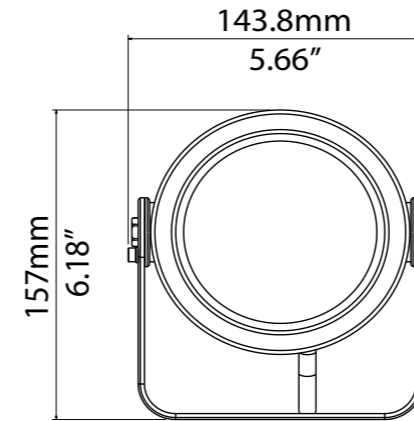
<input type="checkbox"/>	HONEY COMB	A

DOCTUS 3 WH

03.DTB006E



TECHNICAL



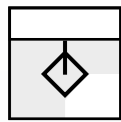
ACCESSORIES ON REQUEST

-  **0509C062.PUR** • 8-pole outdoor cable 8 x 0.25 mm²
-  **03.LA.247** • Top hat
-  **0521A010** • Safety cable - 3 x 600 mm - max. capacity load 30 Kg (66 lbs)

OUTPUT	<ul style="list-style-type: none"> • 3 x White LED • Lumen output (3000 K): 2,760 @ 700mA • Lumen output (4000 K): 3,000 @ 700mA • CRI > 90 • LED lifespan: 50,000 hours (70% lumen output)
OPTICAL GROUP	<ul style="list-style-type: none"> • Narrow flood 10° • Medium flood 25° • Wide flood 35° • Elliptical 40°x12°
POWER SUPPLY	<ul style="list-style-type: none"> • External CC PSU LED driver 700mA max per channel • Max distance between Drivenet PSU and last fixture 100 m (considering 8 x 0.25 mm² cable) • Consumption: max 30 W @ 700mA
CONNECTIONS	<ul style="list-style-type: none"> • 5 m end-stripped 8-pole cable
PHYSICAL	<ul style="list-style-type: none"> • Housing: Aluminium

CONNECTIONS CHART

DRIVENET 28C DIN @48Vdc	DRIVENET 28 EZ	DRIVENET 416	DRIVENET 832	DRIVENET 1664
Max 8 (4 items per output)	Max 8 (4 items per output)	Max 16 (4 items per output)	Max 32 (4 items per output)	Max 64 (4 items per output)



DOCTUS 6 WH



FEATURES



CERTIFICATIONS



TREATMENTS



FINITURE

SILVER - RAL 9006	28

LED

WHITE 3000 K	WB
WHITE 4000 K	WE

LENS

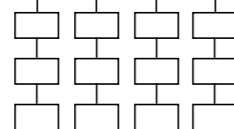
SP - 10°	10
MF - 25°	25
WF - 35°	40
40°x12°	E1

FILTER

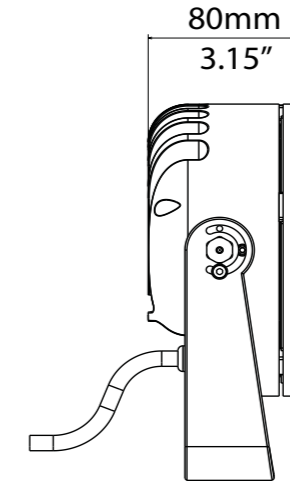
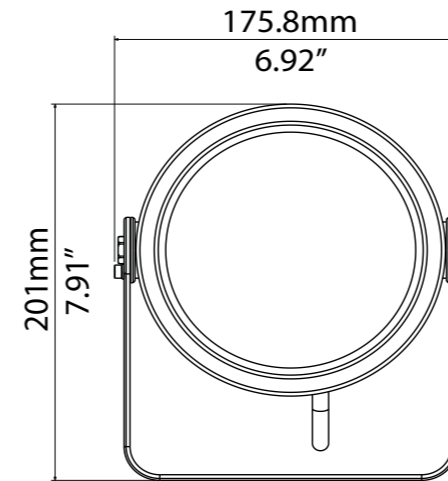
HONEY COMB	A

DOCTUS 6 WH

03.DTB010E



TECHNICAL



ACCESSORIES ON REQUEST



0509C062.PUR • 8-pole outdoor cable
8 x 0.25 mm²



03.LA.248 • Top hat

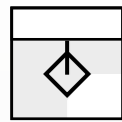


0521A010 • Safety cable - 3 x 600 mm -
max. capacity load 30 Kg (66 lbs)

OUTPUT	• 6 x White LED
	• Lumen output (3000 K): 5,520 @ 700mA • Lumen output (4000 K): 6,000 @ 700mA
	• CRI > 90
OPTICAL GROUP	• LED lifespan: 50,000 hours (70% lumen output)
	• Narrow flood 10° • Medium flood 25° • Wide flood 35° • Elliptical 40°x12°
	• External CC PSU LED driver 700mA max per channel • Max distance between Drivenet PSU and last fixture 100 m (considering 8 x 0.25 mm ² cable)
POWER SUPPLY	• Consumption: max 60 W @ 700mA
	• 5 m end-stripped 8-pole cable
CONNECTIONS	• Housing: Aluminium

CONNECTIONS CHART

DRIVENET 28C DIN @48Vdc	DRIVENET 28 EZ	DRIVENET 416	DRIVENET 832	DRIVENET 1664
Max 4 (2 items per output)	Max 4 (2 items per output)	Max 8 (2 items per output)	Max 16 (2 items per output)	Max 32 (2 items per output)



DOCTUS 12 WH



FEATURES



CERTIFICATIONS



TREATMENTS



FINITURE

<input type="checkbox"/>	SILVER - RAL 9006	28
<input type="checkbox"/>		
<input type="checkbox"/>		
<input type="checkbox"/>		
<input type="checkbox"/>		
<input type="checkbox"/>		
<input type="checkbox"/>		
<input type="checkbox"/>		
<input type="checkbox"/>		
<input type="checkbox"/>		

LED

<input type="checkbox"/>	WHITE 3000 K	WB
<input type="checkbox"/>	WHITE 4000 K	WE
<input type="checkbox"/>		
<input type="checkbox"/>		
<input type="checkbox"/>		
<input type="checkbox"/>		
<input type="checkbox"/>		
<input type="checkbox"/>		
<input type="checkbox"/>		
<input type="checkbox"/>		

LENS

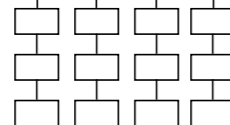
<input type="checkbox"/>	SP - 10°	10
<input type="checkbox"/>	MF - 25°	25
<input type="checkbox"/>	WF - 35°	40
<input type="checkbox"/>	40°x12°	E1
<input type="checkbox"/>		
<input type="checkbox"/>		
<input type="checkbox"/>		
<input type="checkbox"/>		
<input type="checkbox"/>		
<input type="checkbox"/>		

FILTER

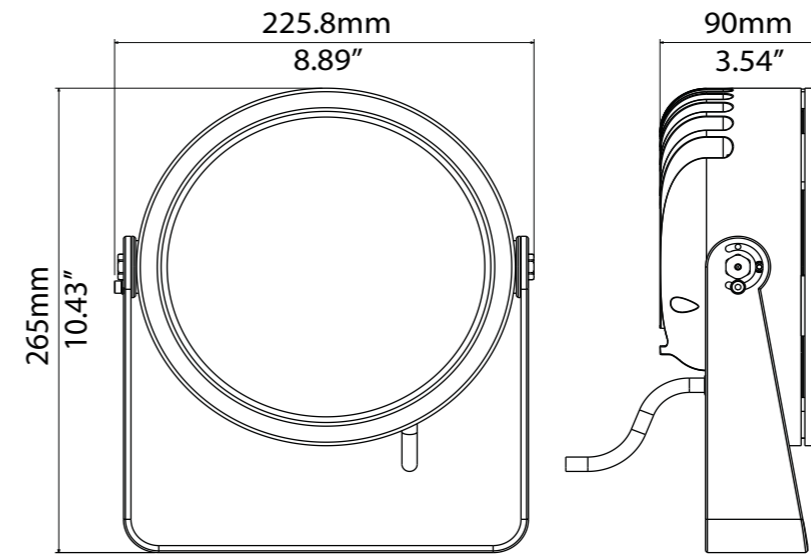
<input type="checkbox"/>	HONEY COMB	A
<input type="checkbox"/>		
<input type="checkbox"/>		
<input type="checkbox"/>		
<input type="checkbox"/>		
<input type="checkbox"/>		
<input type="checkbox"/>		
<input type="checkbox"/>		
<input type="checkbox"/>		
<input type="checkbox"/>		

DOCTUS 12 WH

03.DTB014E



TECHNICAL



OUTPUT	<ul style="list-style-type: none"> • 12 x White LED • Lumen output (3000 K): 11,040 @ 700mA • Lumen output (4000 K): 12,000 @ 700mA • CRI > 90 • LED lifespan: 50,000 hours (70% lumen output)
OPTICAL GROUP	<ul style="list-style-type: none"> • Narrow flood 10° • Medium flood 25° • Wide flood 35° • Elliptical 40°x12°
POWER SUPPLY	<ul style="list-style-type: none"> • External CC PSU LED driver 700mA max per channel • Max distance between Drivenet PSU and last fixture 100 m (considering 8 x 0.25 mm² cable) • Consumption: max 120 W @ 700mA
CONNECTIONS	<ul style="list-style-type: none"> • 5 m end-stripped 8-pole cable
PHYSICAL	<ul style="list-style-type: none"> • Housing: Aluminium

ACCESSORIES ON REQUEST

- 0509C062.PUR** • 8-pole outdoor cable 8 x 0.25 mm²
- 03.LA.249** • Top hat
- 0521A010** • Safety cable - 3 x 600 mm - max. capacity load 30 Kg (66 lbs)

CONNECTIONS CHART

DRIVENET 28C DIN @48Vdc	DRIVENET 28 EZ	DRIVENET 416	DRIVENET 832	DRIVENET 1664
Max 2 (1 item per output)	Max 2 (1 item per output)	Max 4 (1 item per output)	Max 8 (1 item per output)	Max 16 (1 item per output)



FOCUS is the outdoor line of swiveling projectors designed to enhance every kind of space. Easy to install, they are suitable for both wall and ceiling applications, meeting the requirements of different lighting design needs.

The series consists of a wide range of products with built-in or remote-control drivers, and with different options of size and power that match the needs of small and medium-sized spaces. You can also select from a variety of LED color compositions available in different shades of white, full color or even with the innovative HQS (high quality spectrum) that allows you to get a wide range of pastel shades.

FOCUS è la linea di proiettori orientabili per esterno progettati per valorizzare ogni tipologia di ambiente. Di facile installazione, sono adatti ad applicazioni sia a parete che a soffitto, rispondendo ai requisiti delle diverse esigenze di progettazione illuminotecnica.

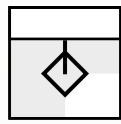
La linea si compone di un'ampia gamma di apparecchi con driver di controllo integrato o remota, con dimensioni e potenza che coprono esigenze di illuminazione di piccole progettazioni fino a spazi medio grandi.

È possibile inoltre selezionare tra più composizioni cromatiche dei LED disponibili in diverse varianti di bianco, RGBW o anche con l'innovativo HQS (high quality spectrum) che consente di ottenere un ampio ventaglio di sfumature pastello.



FOCUS SERIES

LINEA FOCUS



FOCUS 1

EX MINIFOCUS



FEATURES



CERTIFICATIONS



TREATMENTS

FINITURE

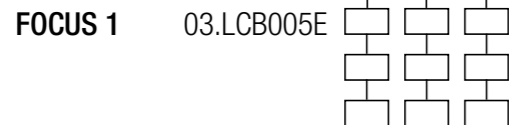
<input type="checkbox"/> SILVER - RAL 9006	21

LED

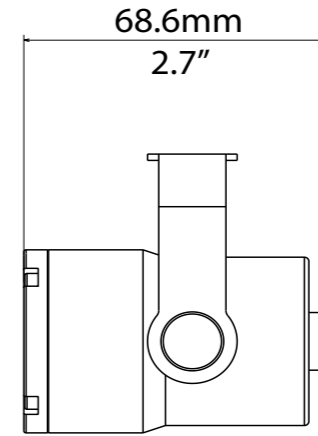
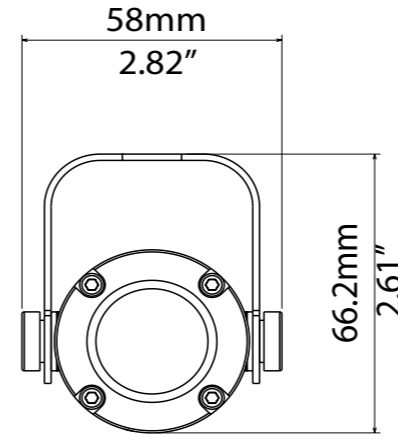
<input type="checkbox"/> FULL COLOR (RGBW)	FC

LENS

<input type="checkbox"/> MF - 22°	25
<input type="checkbox"/> WF - 28°	40



TECHNICAL



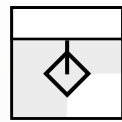
OUTPUT	<ul style="list-style-type: none"> • 1 x 4-colors LED • Lumen output (RGBW): 420 @ 700mA • LED lifespan: 50,000 hours (70% lumen output)
OPTICAL GROUP	<ul style="list-style-type: none"> • Medium flood 22° • Wide flood 28°
POWER SUPPLY	<ul style="list-style-type: none"> • External CC PSU LED driver 700mA max per channel • Max distance between Drivenet PSU and fixture 100 m • Consumption: max 10 W @ 700mA
CONNECTIONS	<ul style="list-style-type: none"> • 90 cm end-stripped 8-pole cable
PHYSICAL	<ul style="list-style-type: none"> • Housing: Aluminium • Weight: 0.34 Kg (0.6 lbs)

ACCESSORIES ON REQUEST

- 03.LA.131.IP56** • HUB-IP56 Screw terminals 1 IN / 3 OUT
- 03.LA.131** • HUB-IP20 Screw terminals 1 IN / 3 OUT
- 0509C062.PUR** • 8-pole outdoor cable 8 x 0.25 mm²
- 0521A010** • Safety cable - 3 x 600 mm - max. capacity load 30 Kg (66 lbs)

CONNECTIONS CHART

DRIVENET 28c DIN @48Vdc	DRIVENET 28 EZ	DRIVENET 416	DRIVENET 832	DRIVENET 1664
Max 24 (12 items per output)	Max 24 (12 items per output)	Max 48 (12 items per output)	Max 96 (12 items per output)	Max 192 (12 items per output)



FOCUS 1 PINSPOT WH

EX FOCUS PINSPOT



FEATURES



CERTIFICATIONS



TREATMENTS

FINITURE

<input type="checkbox"/> SILVER - RAL 9006	21

LED

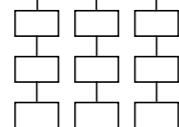
<input type="checkbox"/> WHITE 3000 K	WB

LENS

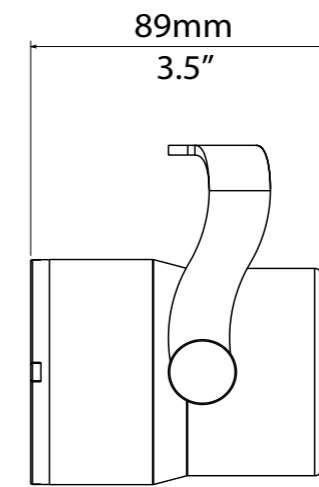
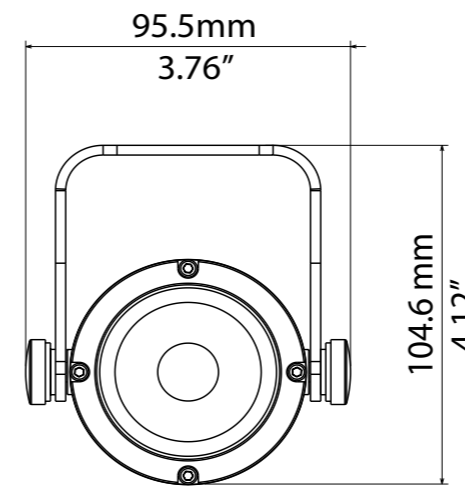
<input type="checkbox"/> UN - 4°	18

FOCUS 1 PINSPOT WH

03.LCB010E



TECHNICAL



ACCESSORIES ON REQUEST



03.LA.131.IP56 • HUB-IP56 Screw terminals 1 IN / 3 OUT



03.LA.131 • HUB-IP20 Screw terminals 1 IN / 3 OUT



Min. 4 - Max 12 units serial wired 0502T031 • Constant current PSU 700mA 9÷48Vdc



Max 20 units serial wired @ 700mA 0514M240 • Constant current PSU 500-1400mA 60W *Push Dimming *DALI *230Vac



0514M241 • Constant current PSU 500-1400mA 60W *Push Dimming *DALI *100Vac



0509C081 • 2-pole underwater cable 2 x 1 mm²

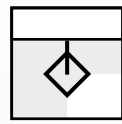


0521A010 • Safety cable - 3 x 600 mm - max. capacity load 30 Kg (66 lbs)

OUTPUT	<ul style="list-style-type: none"> • 1 x White LED • Lumen output (3000 K): 203 @ 700mA • LED lifespan: 50,000 hours (70% lumen output)
OPTICAL GROUP	<ul style="list-style-type: none"> • Ultra-Narrow flood 4°
POWER SUPPLY	<ul style="list-style-type: none"> • External CC PSU LED driver 700mA max per channel • Max distance between Drivenet PSU and fixture 100 m • Consumption: max 2 W @ 700mA
CONNECTIONS	<ul style="list-style-type: none"> • 90 cm end-stripped 2-pole cable
PHYSICAL	<ul style="list-style-type: none"> • Housing: Aluminium • Weight: 0.90 Kg (1.98 lbs)

CONNECTIONS CHART

DRIVENET 28C DIN @48Vdc	DRIVENET 28 EZ	DRIVENET 416	DRIVENET 832	DRIVENET 1664
Max 96 (48 items per output)	Max 96 (48 items per output)	Max 192 (48 items per output)	Max 384 (48 items per output)	Max 768 (48 items per output)



FOCUS 1 POWER WH

EX FOCUS POWER



FEATURES



CERTIFICATIONS



TREATMENTS

FINITURE

<input type="checkbox"/> SILVER - RAL 9006	21
<input type="checkbox"/>	
<input type="checkbox"/>	
<input type="checkbox"/>	
<input type="checkbox"/>	
<input type="checkbox"/>	
<input type="checkbox"/>	
<input type="checkbox"/>	
<input type="checkbox"/>	
<input type="checkbox"/>	

LED

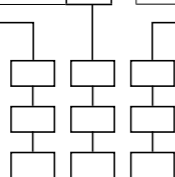
<input type="checkbox"/> WHITE 3000 K	<input type="checkbox"/> WB
<input type="checkbox"/>	<input type="checkbox"/>
<input type="checkbox"/>	<input type="checkbox"/>
<input type="checkbox"/>	<input type="checkbox"/>
<input type="checkbox"/>	<input type="checkbox"/>
<input type="checkbox"/>	<input type="checkbox"/>
<input type="checkbox"/>	<input type="checkbox"/>
<input type="checkbox"/>	<input type="checkbox"/>
<input type="checkbox"/>	<input type="checkbox"/>
<input type="checkbox"/>	<input type="checkbox"/>

LENS

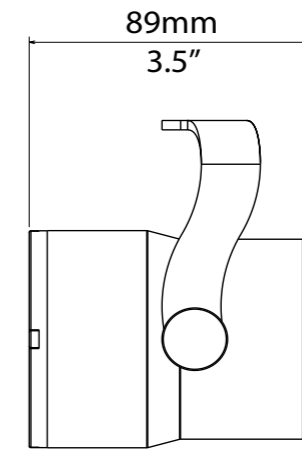
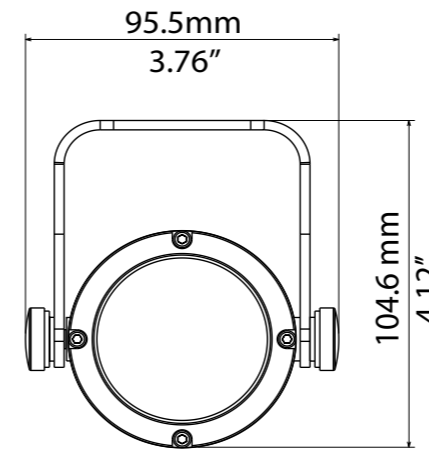
<input type="checkbox"/> MF - 21°	21
<input type="checkbox"/> WF - 45°	20
<input type="checkbox"/>	
<input type="checkbox"/>	
<input type="checkbox"/>	
<input type="checkbox"/>	
<input type="checkbox"/>	
<input type="checkbox"/>	
<input type="checkbox"/>	
<input type="checkbox"/>	

FOCUS 1 POWER WH

03.LCB004E



TECHNICAL



OUTPUT	• 1 x White LED
	• CRI >90
	• Lumen output (3000 K): 850 @ 700mA
	• LED lifespan: 50,000 hours (70% lumen output)
OPTICAL GROUP	• Medium flood 21°
	• Wide flood 45°
POWER SUPPLY	• External CC PSU LED driver 700mA max per channel
	• Max distance between Drivenet PSU and fixture 100 m
CONNECTIONS	• Consumption: max 10 W @ 700mA
	• 90 cm end-stripped 2-pole cable
PHYSICAL	• Housing: Aluminium
	• Weight: 0.9 Kg (1.98 lbs)

ACCESSORIES ON REQUEST



03.LA.131.IP56 • HUB-IP56 Screw terminals 1 IN / 3 OUT



03.LA.131 • HUB-IP20 Screw terminals 1 IN / 3 OUT



Max. 3 units serial wired
0502T031 • Constant current PSU 700mA 9÷48Vdc



Max 6 units serial wired @ 700mA
0514M240 • Constant current PSU 500-1400mA 60W *Push Dimming *DALI *230Vac



0514M241 • Constant current PSU 500-1400mA 60W *Push Dimming *DALI *100Vac



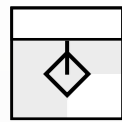
0509C081 • 2-pole underwater cable 2 x 1 mm²



0521A010 • Safety cable - 3 x 600 mm - max. capacity load 30 Kg (66 lbs)

CONNECTIONS CHART

DRIVENET 28C DIN @48Vdc	DRIVENET 28 EZ	DRIVENET 416	DRIVENET 832	DRIVENET 1664
Max 24 (12 items per output)	Max 24 (12 items per output)	Max 48 (12 items per output)	Max 96 (12 items per output)	Max 192 (12 items per output)

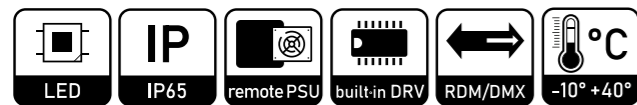


FOCUS.D ZOOM 1 IP65

EX FOCUS SOLO ZOOM IP65



FEATURES



CERTIFICATIONS



TREATMENTS

FINITURE

SILVER	21
BLACK	11

LED

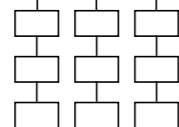
FULL COLOR (RGBW)	FC
HQS (RGBA)	FY

LENS

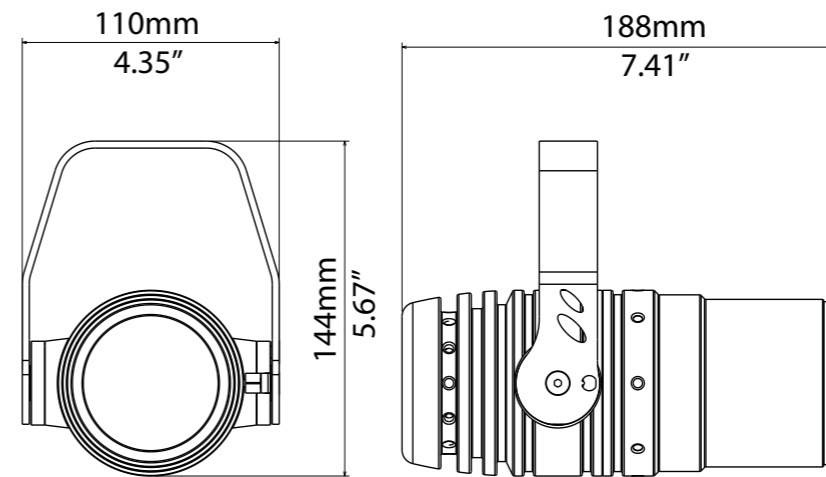
ZOOM 3.5°/52°	99

FOCUS.D ZOOM 1 IP65

03.LCB016E



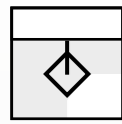
TECHNICAL



OUTPUT	<ul style="list-style-type: none"> 1 x 4-colors LED Lumen output (RGBW): 858 @ 700mA LED lifespan: 50,000 hours (70% lumen output)
OPTICAL GROUP	<ul style="list-style-type: none"> Long excursion 3.5° - 52° manual zoom
CONTROL	<ul style="list-style-type: none"> DMX 512 / RDM protocols DMX address settings and functions can be also managed by the dedicated DLC 901 remote control Firmware updatable via DTS firmware uploader dongle
DMX	<ul style="list-style-type: none"> 4 DMX channels (default) 11 DMX channels
POWER SUPPLY	<ul style="list-style-type: none"> LED driver on board External constant voltage PSU LED driver 12 ÷ 48 VdC Consumption: max 20 W @ 700mA
CONNECTIONS	<ul style="list-style-type: none"> 90 cm end-stripped 4-pole cable for Power and DMX
PHYSICAL	<ul style="list-style-type: none"> Housing: Aluminium Weight: 1.15 Kg (2.5 lbs)

ACCESSORIES ON REQUEST

- Max 4 units parallel wired**
 - 0502T063** • Constant voltage PSU 48VdC 100W IP67
 - 0502T056** • Constant voltage PSU 24VdC 100W IP67
 - 0502T067** • Constant voltage PSU 12VdC 100W IP67
- Max 1 unit**
 - 0502B023** • Constant voltage PSU 12VdC 20W IP67
- Max. 4 units (1 item per output)**
 - 03.LA.227** • DMX Power Hub
- 0509C152** • 4-pole outdoor cable 4 x 0.5 mm²
- 03.LA.063.1** • Dongle DLC 901
- 03.LA.206** • DTS firmware uploader dongle
- 03.LA.231** • Top hat
- 0521A010** • Safety cable - 3 x 600 mm - max. capacity load 30 Kg (66 lbs)

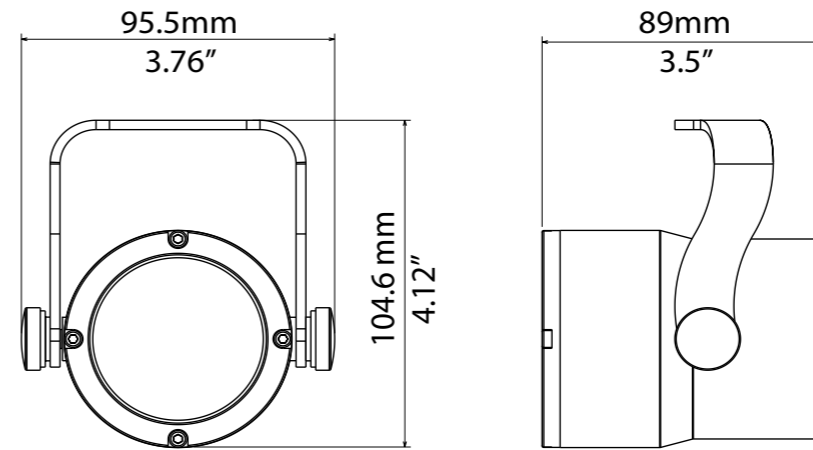


FOCUS.D 1

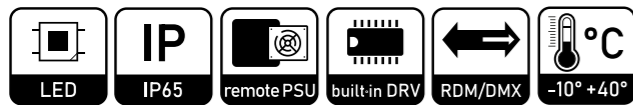
EX FOCUS SOLO



TECHNICAL



FEATURES



CERTIFICATIONS



TREATMENTS

FINITURE

<input type="checkbox"/> SILVER - RAL 9006	21

LED

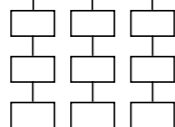
<input type="checkbox"/> FULL COLOR (RGBW)	FC
<input type="checkbox"/> HQS (RGBA)	FY

LENS

<input type="checkbox"/> MF - 22°	25

FOCUS.D 1

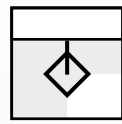
03.LCB003E



OUTPUT	<ul style="list-style-type: none"> • 1 x 4-colors LEDs • Lumen output (RGBW): 1,288 @ 700mA • LED lifespan: 50,000 hours (70% lumen output)
OPTICAL GROUP	<ul style="list-style-type: none"> • Medium flood 22°
CONTROL	<ul style="list-style-type: none"> • DMX 512 / RDM protocols • Firmware updatable via DTS firmware uploader dongle
DMX	<ul style="list-style-type: none"> • 4 DMX channels (Default) • 10 DMX channels
POWER SUPPLY	<ul style="list-style-type: none"> • LED driver on board • External constant voltage PSU LED driver 12 ÷ 48 VdC • Consumption: 10 W max
CONNECTIONS	<ul style="list-style-type: none"> • 90 cm end-stripped 4-pole cable for Power and DMX
PHYSICAL	<ul style="list-style-type: none"> • Housing: Aluminium • Weight: 1 Kg (2.2 lbs)

ACCESSORIES ON REQUEST

- Max 9 units parallel wired**
0502T063 • Constant voltage PSU 48VdC 100W IP67
0502T056 • Constant voltage PSU 24VdC 100W IP67
0502T067 • Constant voltage PSU 12VdC 100W IP67
- Max 2 units**
0502B023 • Constant voltage PSU 12VdC 20W IP67
- 0509C152** • 4-pole outdoor cable
- Max. 4 units (1 item per output)**
03.LA.227 • DMX Power Hub
- 03.LA.063.1** • Dongle DLC 901
- 03.LA.127.04** • Top Hat - grey glitter finishing - Max length 7 cm (2.8")
- 03.LA.206** • DTS firmware uploader dongle
- 0521A010** • Safety cable - 3 x 600 mm - max. capacity load 30 Kg (66 lbs)



FOCUS 3

EX FOCUS



FEATURES



CERTIFICATIONS



TREATMENTS

FINITURE

<input type="checkbox"/> SILVER - RAL 9006	21

LED

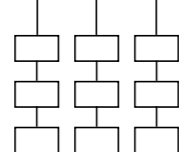
<input type="checkbox"/> FULL COLOR (RGBW)	FC
<input type="checkbox"/> HQS (RGBA)	FY

LENS

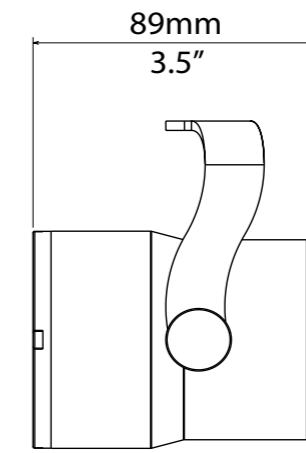
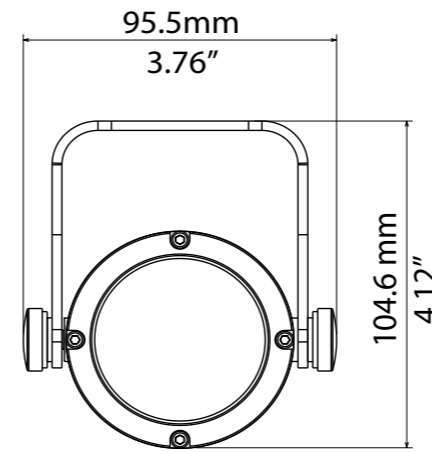
<input type="checkbox"/> MF - 22°	25
<input type="checkbox"/> WF - 28°	40

FOCUS 3

03.LCB001E



TECHNICAL



OUTPUT	<ul style="list-style-type: none"> • 3 x 4-colors LEDs • Lumen output (RGBW): 1,288 @ 700mA • LED lifespan: 50,000 hours (70% lumen output)
OPTICAL GROUP	<ul style="list-style-type: none"> • Medium flood 22° • Wide flood 28°
POWER SUPPLY	<ul style="list-style-type: none"> • External CC PSU LED driver 700mA max per channel • Max distance between Drivenet PSU and fixture 100 m • Consumption: max 30 W @ 700mA
CONNECTIONS	<ul style="list-style-type: none"> • 90 cm end-stripped 8-pole cable
PHYSICAL	<ul style="list-style-type: none"> • Housing: Aluminium • Weight: 0.6 Kg (1.33 lbs)

ACCESSORIES ON REQUEST



03.LA.131.IP56 • HUB-IP56 Screw terminals 1 IN / 3 OUT



03.LA.131 • HUB-IP20 Screw terminals 1 IN / 3 OUT



03.LA.127.04 • Top Hat - grey glitter finishing - Max lenght 7 cm (2.8")



0509C062.PUR • 8-pole outdoor cable



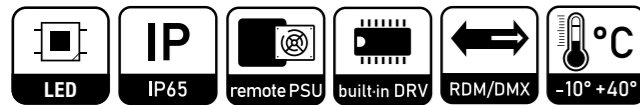
0521A010 • Safety cable - 3 x 600 mm - max. capacity load 30 Kg (66 lbs)

FOCUS.D 6

EX EOS 6 SOLO



FEATURES



CERTIFICATIONS



TREATMENTS

FINITURE

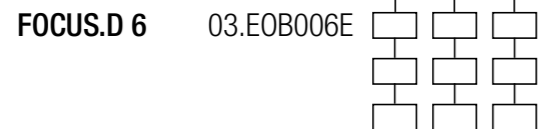
<input type="checkbox"/> SILVER - RAL 9006	21

LED

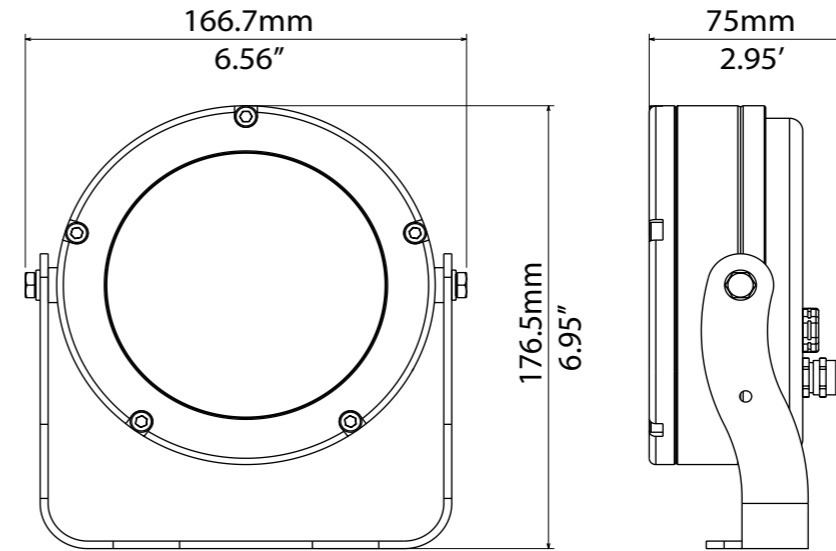
<input type="checkbox"/> FULL COLOR (RGBW)	FC
<input type="checkbox"/> HQS (RGBA)	FY

LENS

<input type="checkbox"/> MF - 22°	25
<input type="checkbox"/> WF - 40°	40



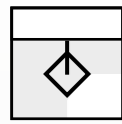
TECHNICAL



OUTPUT	<ul style="list-style-type: none"> 6 x 4-colors LEDs Lumen output (RGBW): 2,660 @ 700mA LED lifespan: 50,000 hours (70% lumen output)
OPTICAL GROUP	<ul style="list-style-type: none"> Medium flood 22° Wide flood 40°
CONTROL	<ul style="list-style-type: none"> DMX 512 / RDM protocols DMX address settings and functions can be also managed by the dedicated DLC 901 remote control Firmware updatable via DTS firmware uploader dongle
DMX	<ul style="list-style-type: none"> 4 DMX channels (Default) 11 DMX channels
POWER SUPPLY	<ul style="list-style-type: none"> LED driver on board External constant voltage PSU LED driver 27 ÷ 48 VdC Consumption: 60 W max
CONNECTIONS	<ul style="list-style-type: none"> 90 cm end-stripped 4-pole cable for Power and DMX
PHYSICAL	<ul style="list-style-type: none"> Housing: Aluminium Weight: 2.2 Kg (4.85 lbs)

ACCESSORIES ON REQUEST

-  **Max 1 unit 0502T063** • Constant voltage PSU 48VdC 100W IP67
-  **Max 4 units parallel wired 0502T099** • Constant voltage PSU 48VdC 240W IP67
-  **0509C152** • 4-pole outdoor cable
-  **03.LA.063.1** • Dongle DLC 901
-  **03.LA.151.04** • Top Hat - grey glitter finishing - Max lenght 10 cm (3.9")
-  **03.LA.206** • DTS firmware uploader dongle
-  **0521A010** • Safety cable - 3 x 600 mm - max. capacity load 30 Kg (66 lbs)

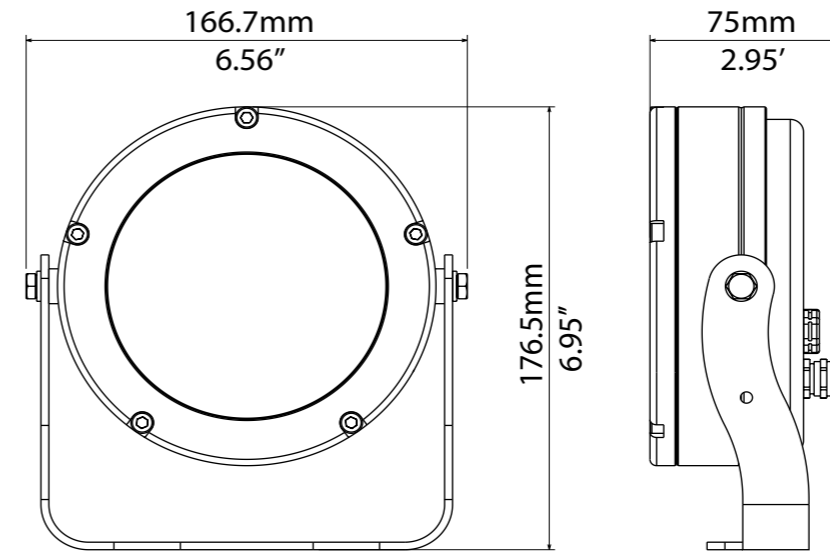


FOCUS 6





EX EOS 6



TECHNICAL



ACCESSORIES ON REQUEST

-  **03.LA.131.IP56** • HUB-IP56 Screw terminals 1 IN / 3 OUT
-  **03.LA.131** • HUB-IP20 Screw terminals 1 IN / 3 OUT
-  **03.LA.151.04** • Top Hat - grey glitter finishing - Max length 10 cm (3.9")
-  Outdoor extension cable M12 Female + end stripped 8-pole
02K001157.10 • length 10 m - 33 ft
02K001157.30 • length 30 m - 98 ft
02K001157.50 • length 50 m - 164 ft
02K001157.100 • length 100 m - 328 ft
-  Outdoor extension cable with M12 M/F 8 pins - cable Ø 6 mm
03.LA.035.10 • length 10 m - 33 ft
03.LA.035.20 • length 20 m - 66 ft
03.LA.035.30 • length 30 m - 98 ft
03.LA.035.40 • length 40 m - 132 ft
03.LA.035.50 • length 50 m - 164 ft
-  **03.LA.037** • Y-BOX IP65 M12
-  **0521A010** • Safety cable - 3 x 600 mm - max. capacity load 30 Kg (66 lbs)

FEATURES



CERTIFICATIONS



TREATMENTS

FINITURE

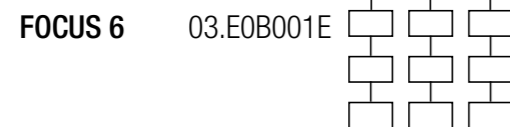
<input type="checkbox"/> SILVER - RAL 9006	21

LED

<input type="checkbox"/> FULL COLOR (RGBW)	FC
<input type="checkbox"/> HQS (RGBA)	FY

LENS

<input type="checkbox"/> SP - 10°	10
<input type="checkbox"/> MF - 22°	25
<input type="checkbox"/> WF - 40°	40



OUTPUT	• 6 x 4-colors LEDs
	• Lumen output (RGBW): 2,660 @ 700mA
	• LED lifespan: 50,000 hours (70% lumen output)
OPTICAL GROUP	• Narrow flood 10°
	• Medium flood 22°
	• Wide flood 40°
POWER SUPPLY	• External CC PSU LED driver 700mA max per channel
	• Max distance between Drivenet PSU and fixture 100 m
	• Consumption: max 60 W @ 700mA
CONNECTIONS	• 90 cm cable with M12 male connector
PHYSICAL	• Housing: Aluminium
	• Weight: 2.2 Kg (4.85 lbs)

CONNECTIONS CHART

DRIVENET 28C DIN @48Vdc	DRIVENET 28 EZ	DRIVENET 416	DRIVENET 832	DRIVENET 1664
Max 4 (2 items per output)	Max 4 (2 items per output)	Max 8 (2 items per output)	Max 16 (2 items per output)	Max 32 (2 items per output)

HELIOS SERIES

LINEA HELIOS

HELIOS is our line of recessed projectors that, thanks to the round flange perfectly integrated into the flooring, is particularly suitable for installations on traditional or industrial surfaces.

Available in full-color or in a white LED version, with built-in or external control drivers, Helios is the ideal product to create the best outdoor atmosphere and to highlight columns with oblique lighting or linear facades with wall washing lighting.

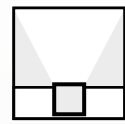
The products are equipped with a formwork for a safer and more efficient installation.

HELIOS è la linea di proiettori per incasso a pavimento che, grazie alla flangia rotonda perfettamente integrabile nella pavimentazione, è particolarmente adatto ad installazioni su superfici tradizionali o industriali.

Disponibile in versione LED RGBW o bianco e con driver di controllo integrato o remoto, Helios è il prodotto ideale per creare un'illuminazione esterna e mettere in risalto colonne con un'illuminazione radente o facciate lineari con un'illuminazione di tipo wall washing.

I prodotti sono dotati di cassaforma per una più sicura ed efficiente installazione.



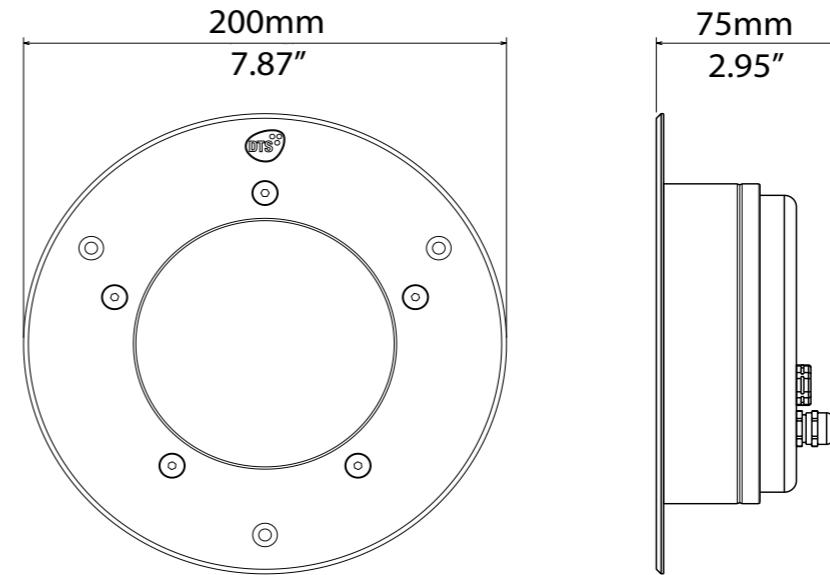


HELIOS.D 6

EX EOS 6 R SOLO



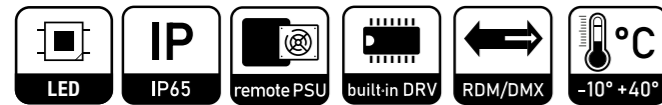
TECHNICAL



ACCESSORIES ON REQUEST

-  **Max 1 unit**
0502T063 • Constant voltage PSU 48VdC 100W IP67
-  **Max 4 units parallel wired**
0502T099 • Constant voltage PSU 48VdC 240W IP67
-  **0509C152** • 4-pole outdoor cable
-  **03.LA.063.1** • Dongle DLC 901
-  **03.LA.206** • DTS firmware uploader dongle
-  **03.LA.190** • Outercase IP20 rated

FEATURES



CERTIFICATIONS



TREATMENTS

FINITURE

ALUMINIUM AND STEEL	99

LED

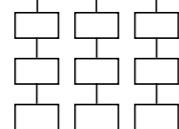
FULL COLOR (RGBW)	FC
HQS (RGBA)	FY

LENS

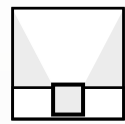
MF - 22°	25
WF - 40°	40

HELIOS.D 6

03.EOS006E



OUTPUT	<ul style="list-style-type: none"> • 6 x 4-colors LEDs • Lumen output (RGBW): 2,660 @ 700mA • LED lifespan: 50,000 hours (70% lumen output)
OPTICAL GROUP	<ul style="list-style-type: none"> • Medium flood 22° • Wide flood 40°
CONTROL	<ul style="list-style-type: none"> • DMX 512 / RDM protocols • DMX address settings and functions can be also managed by the dedicated DLC 901 remote control • Firmware updatable via DTS firmware uploader dongle
DMX	<ul style="list-style-type: none"> • 4 DMX channels (Default) • 11 DMX channels
POWER SUPPLY	<ul style="list-style-type: none"> • LED driver on board • External constant voltage PSU LED driver 12 ÷ 48 VdC • Consumption: 60 W max
CONNECTIONS	<ul style="list-style-type: none"> • 90 cm end-stripped 4-pole cable for Power and DMX
PHYSICAL	<ul style="list-style-type: none"> • Housing: Body in aluminium and flange in Stainless Steel • Weight: 2 Kg (4.41 lbs)



HELIOS 6

EX EOS 6 R



FEATURES



CERTIFICATIONS



TREATMENTS

FINITURE

ALUMINIUM AND STEEL	99

LED

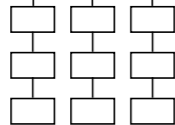
FULL COLOR (RGBW)	FC

LENS

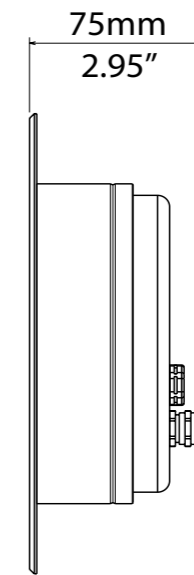
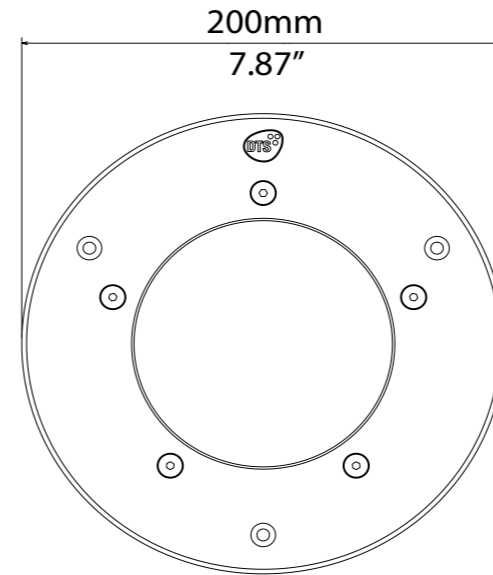
MF - 22°	25
WF - 40°	40

HELIOS 6

03.EOS001E



TECHNICAL



OUTPUT	<ul style="list-style-type: none"> 6 x 4-colors LEDs Lumen output (RGBW): 2,660 @700 mA LED lifespan: 50,000 hours (70% lumen output)
OPTICAL GROUP	<ul style="list-style-type: none"> Medium flood 22° Wide flood 40°
POWER SUPPLY	<ul style="list-style-type: none"> External CC PSU LED driver 700mA max per channel Max distance between Drivenet PSU and fixture 100 m Consumption: max 60 W @ 700mA
CONNECTIONS	<ul style="list-style-type: none"> 90 cm cable with M12 male connector
PHYSICAL	<ul style="list-style-type: none"> Housing: Body in aluminium and flange in Stainless Steel Weight: 2 Kg (4.4 lbs)

ACCESSORIES ON REQUEST



03.LA.131.IP56 • HUB-IP56 Screw terminals 1 IN / 3 OUT



03.LA.131 • HUB-IP20 Screw terminals 1 IN / 3 OUT



Outdoor extension cable M12 Female + end stripped 8-pole
02K001157.10 • length 10 m - 33 ft
02K001157.30 • length 30 m - 98 ft
02K001157.50 • length 50 m - 164 ft
02K001157.100 • length 100 m - 328 ft



03.LA.035.50 • Outdoor extension cable with M12 M/F 8 pins - cable Ø 6 mm - 50 m length (164 ft) - (more lengths available)



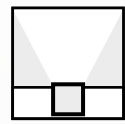
03.LA.037 • Y-Box IP65 M12



03.LA.190 • Outer case IP20 rated

CONNECTIONS CHART

DRIVENET 28C DIN @48Vdc	DRIVENET 28 EZ	DRIVENET 416	DRIVENET 832	DRIVENET 1664
Max 4 (2 items per output)	Max 4 (2 items per output)	Max 8 (2 items per output)	Max 16 (2 items per output)	Max 32 (2 items per output)



HELIOS 9 WH

EX EOS 9 R



FEATURES



CERTIFICATIONS



TREATMENTS

FINITURE

ALUMINIUM	99

LED

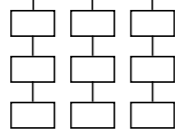
WHITE 3000 K	WB

LENS

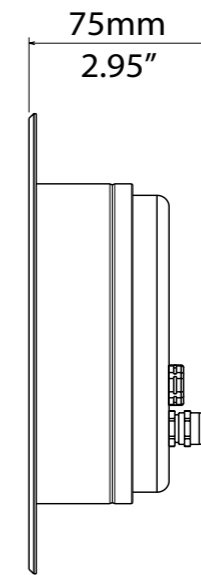
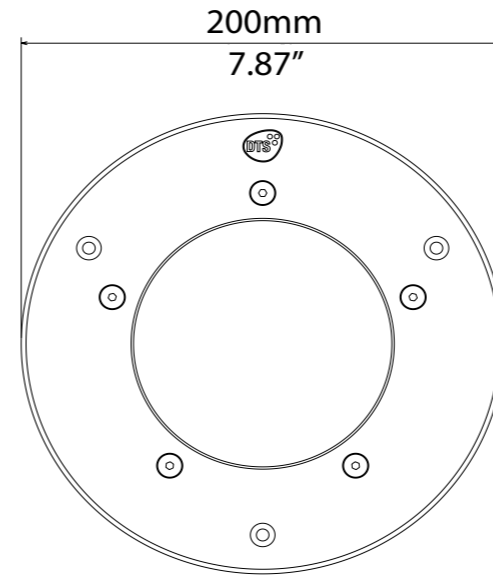
MF - 20°	25
WF - 36°	40

HELIOS 9 WH

03.EOS003E



TECHNICAL



OUTPUT	<ul style="list-style-type: none"> 9 x White LEDs Lumen output (3000 K): 1,750 @700 mA LED lifespan: 50,000 hours (70% lumen output)
OPTICAL GROUP	<ul style="list-style-type: none"> Medium flood 20° Wide flood 36°
POWER SUPPLY	<ul style="list-style-type: none"> External CC PSU LED driver 700mA max per channel Max distance between Drivenet PSU and fixture 100 m Consumption: max 18 W @ 700mA
CONNECTIONS	<ul style="list-style-type: none"> 90 cm end-stripped 2-pole cable
PHYSICAL	<ul style="list-style-type: none"> Housing: Body in aluminium and flange in Stainless Steel Weight: 2.2 Kg (4.85 lbs)

ACCESSORIES ON REQUEST

- Max. 1 unit 0502T031** • Constant current PSU 700mA 9÷48Vdc
- Max 2 units serial wired @ 700mA 0514M240** • Constant current PSU 500-1400mA 60W *Push Dimming *DALI *230Vac
- 0514M241** • Constant current PSU 500-1400mA 60W *Push Dimming *DALI *100Vac
- 0509C081** • 2-pole underwater cable
- 03.LA.190** • Outercase IP20 rated

CONNECTIONS CHART

DRIVENET 28C DIN @48Vdc	DRIVENET 28 EZ	DRIVENET 416	DRIVENET 832	DRIVENET 1664
Max 8 (4 items per output)	Max 8 (4 items per output)	Max 16 (4 items per output)	Max 32 (4 items per output)	Max 64 (4 items per output)

DONUT is a line of projectors specifically designed to enhance any kind of aquatic show.

With its IP68 rated protection degree and the characteristic doughnut-like shape, it perfectly fits the nozzles of dancing fountains, illuminating the jet of water across the projector without any obstacle, thus resulting in a high emotional effect.

The LED disposition allows a uniform and wellround projection on the aquatic scenery.

DONUT è la linea di proiettori studiati appositamente per rendere magico ogni genere di spettacolo acquatico.

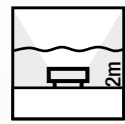
Con un grado di protezione IP68 e la caratteristica forma che ricorda una ciambella, si adatta perfettamente agli ugelli delle fontane danzanti, consentendo al getto di acqua di attraversare il proiettore senza nessun ostacolo e risultarne illuminato, ottenendo così un effetto ad alto impatto emozionale.

La disposizione dei LED consente una proiezione uniforme a tutto tondo sulle scenografie acquatiche.

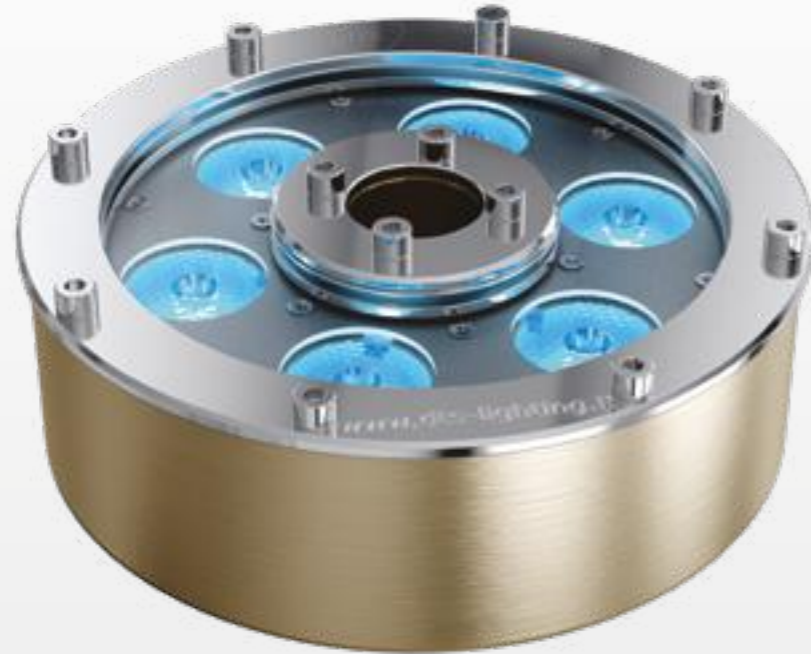


DONUT SERIES

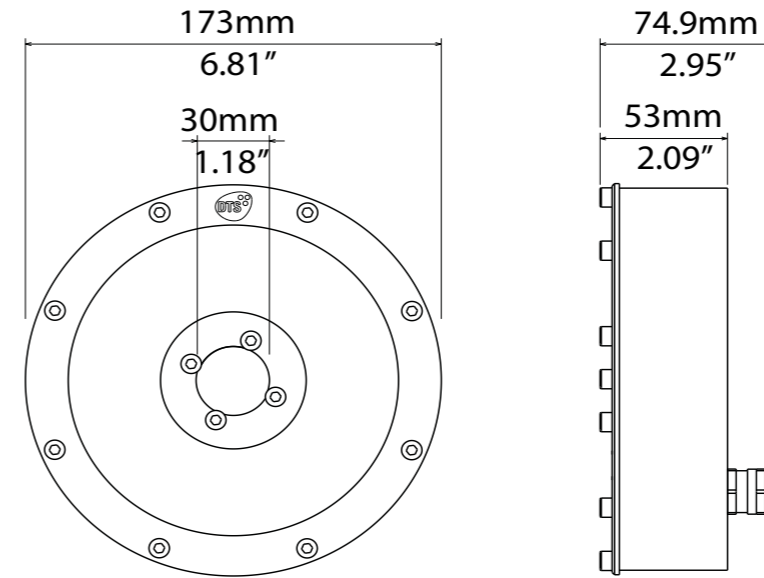
LINEA DONUT



DONUT 6



TECHNICAL



ACCESSORIES ON REQUEST



0509C123 • 8-pole underwater cable 8 x 0.25 mm²

FEATURES



CERTIFICATIONS



TREATMENTS

FINITURE

	BRONZE AND STEEL

LED

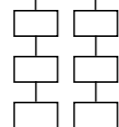
FULL COLOR (RGBW)*	F
HQS (RGBA)	FY

LENS

MF - 27°	25

DONUT 6

03.DN004.



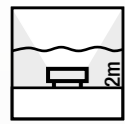
*RGBW version not available for France

OUTPUT	• 6 x 4-colors LEDs
	• Lumen output (RGBW): 2,350 @ 700mA
	• LED lifespan: 50,000 hours (70% lumen output)
OPTICAL GROUP	• Medium flood 27°
POWER SUPPLY	• External CC PSU LED driver 24Vdc 700mA max per channel
	• External CC PSU LED driver 48Vdc 700mA max per channel
	• Max distance between PSU and fixture 100 m
CONNECTIONS	• Consumption: max 60 W @ 700mA
	• 1 x 5 m end-stripped 8-pole cable (Specific lengths needs must be requested to the sales manager at the time of ordering)
PHYSICAL	• Housing: Bronze / Stainless Steel
	• Weight: 5.7 Kg (12.6 lbs)

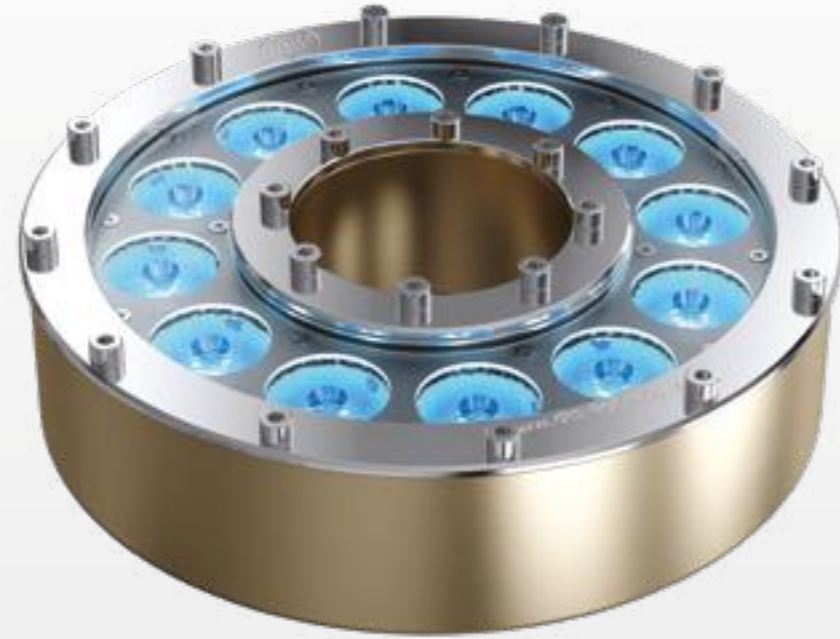
CONNECTIONS CHART

DRIVENET 28C DIN @24Vdc	-	-	DRIVENET 832 @24Vdc	DRIVENET 1664 @24Vdc
Max 2 (1 item per output)	-	-	Max 8 (1 item per output)	Max 16 (1 item per output)
DRIVENET 28C DIN @48Vdc	DRIVENET 28EZ	DRIVENET 416	DRIVENET 832	DRIVENET 1664
Max 4 (2 items per output)	Max 4 (2 items per output)	Max 8 (2 items per output)	Max 16 (2 items per output)	Max 32 (2 items per output)

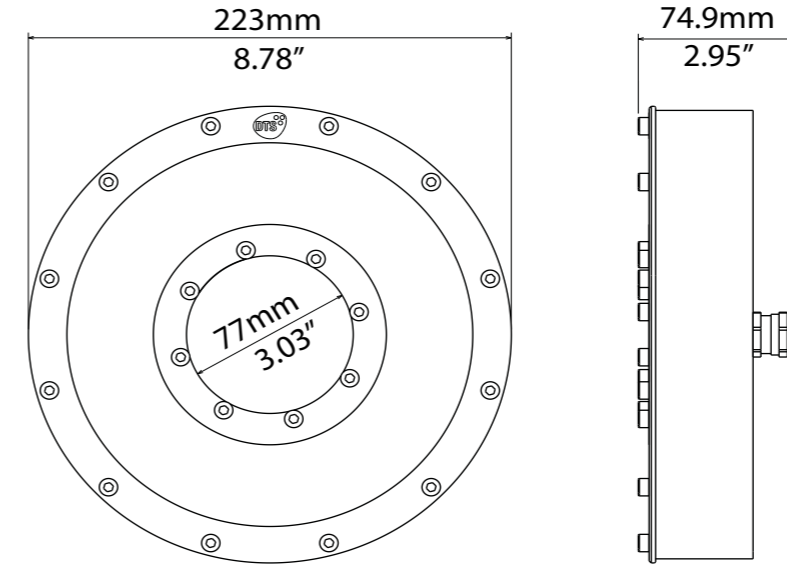
Do not turn on the fixture in the absence of water



DONUT 12



TECHNICAL



ACCESSORIES ON REQUEST



0509C123 • 8-pole underwater cable 8 x 0.25 mm²

FEATURES



CERTIFICATIONS



TREATMENTS

FINITURE

<input checked="" type="checkbox"/>	BRONZE AND STEEL

LED

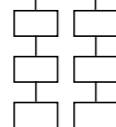
<input type="checkbox"/>	FULL COLOR (RGBW)*	F
<input type="checkbox"/>	HQS (RGBA)	FY

LENS

<input type="checkbox"/>	MF - 27°	25

DONUT 12 24 VDC
DONUT 12 (48 VDC)

03.DN07.
03.DN005.



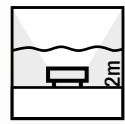
*RGBW version not available for France

	DONUT 12 24 VDC	DONUT 12 (48 VDC)
OUTPUT	<ul style="list-style-type: none"> • 12 x 4-colors LEDs • Lumen output (RGBW): 4,700 @ 700mA • LED lifespan: 50,000 hours (70% lumen output) 	
OPTICAL GROUP	<ul style="list-style-type: none"> • Medium flood 27° 	
POWER SUPPLY	<ul style="list-style-type: none"> • External CC PSU LED driver 24Vdc 1.4A max per channel • Max distance between Drivenet PSU and fixture 100 m 	<ul style="list-style-type: none"> • External CC PSU LED driver 48Vdc 700mA max per channel • Max distance between Drivenet PSU and fixture 100 m
CONNECTIONS	<ul style="list-style-type: none"> • 1 x 5 m end-stripped 8-pole cable (Specific lengths needs must be requested to the sales manager at the time of ordering) 	
PHYSICAL	<ul style="list-style-type: none"> • Housing: Bronze / Stainless Steel • Weight: 8.3 Kg (18.3 lbs) 	

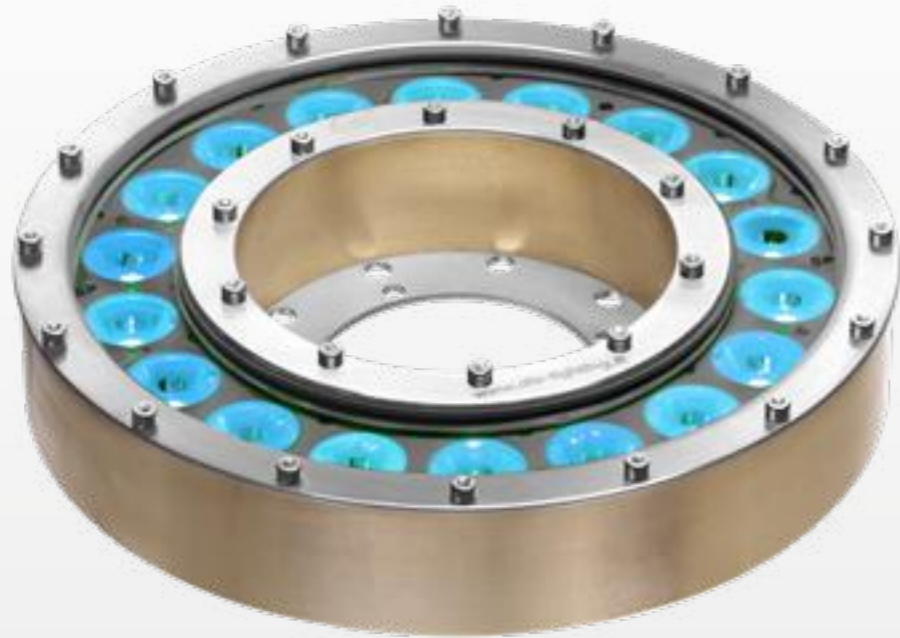
CONNECTIONS CHART

	-	-	-	DRIVENET 832 POWER 24Vdc (set @ 1.4A)	-
DONUT 12 24 VDC	-	-	-	Max 8 (1 item per output)	-
	DRIVENET 28C DIN @48Vdc	DRIVENET 28 EZ	DRIVENET 416	DRIVENET 832	DRIVENET 1664
DONUT 12 (48 VDC)	Max 2 (1 item per output)	Max 2 (1 item per output)	Max 4 (1 item per output)	Max 8 (1 item per output)	Max 16 (1 item per output)

Do not turn on the fixture in the absence of water



DONUT 18



FEATURES



CERTIFICATIONS



TREATMENTS

FINITURE

<input checked="" type="checkbox"/> BRONZE AND STEEL

LED

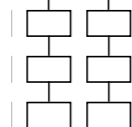
<input type="checkbox"/> FULL COLOR (RGBW)*	F
<input type="checkbox"/> HQS (RGBA)	FY

LENS

<input type="checkbox"/> UN - 8°	08
<input type="checkbox"/> MF - 27°	25

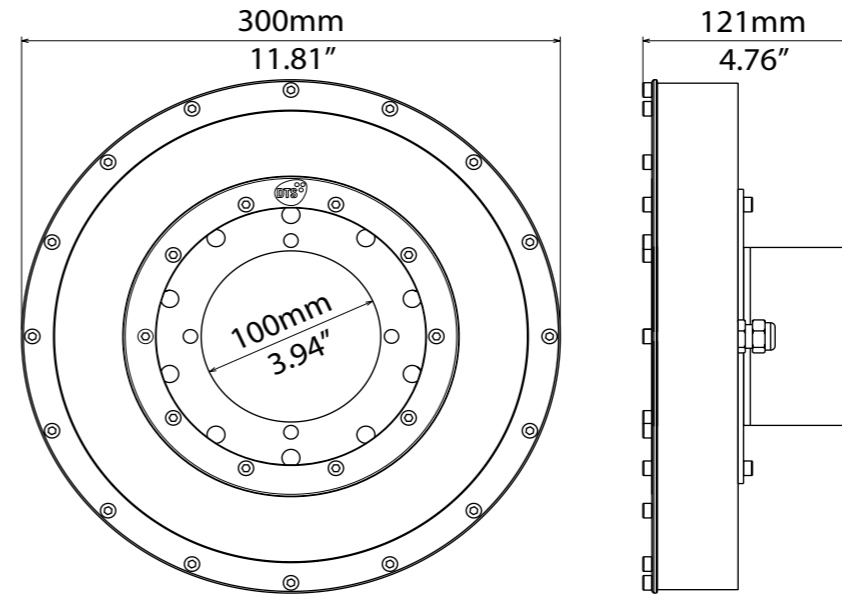
DONUT 18

03.DN002.



*RGBW version not available for France

TECHNICAL



ACCESSORIES ON REQUEST



0509C123 • 8-pole underwater cable 8 x 0.25 mm²

OUTPUT	<ul style="list-style-type: none"> • 18 x 4-colors LEDs • Lumen output (RGBW): 7,050 @ 700mA • LED lifespan: 50,000 hours (70% lumen output)
OPTICAL GROUP	<ul style="list-style-type: none"> • Ultra Narrow flood 8° • Medium flood 27°
POWER SUPPLY	<ul style="list-style-type: none"> • External CC PSU LED driver 48Vdc 700mA max per channel • Max distance between Drivenet PSU and fixture 100 m • Consumption: max 180 W @ 700mA
CONNECTIONS	<ul style="list-style-type: none"> • 2 x 5 m end-stripped 8-pole cables (Specific lengths needs must be requested to the sales manager at the time of ordering)
PHYSICAL	<ul style="list-style-type: none"> • Housing: Bronze / Stainless Steel • Weight: 12.4 Kg (27.3 lbs)
ACCESSORIES INCLUDED	<ul style="list-style-type: none"> • 2 x Bracket for cables protection (code 00M11505)

CONNECTIONS CHART

DRIVENET 28C DIN @48Vdc	DRIVENET 28 EZ	DRIVENET 416	DRIVENET 832	DRIVENET 1664
Max 1 (1 item per 2 outputs)	Max 1 (1 item per 2 outputs)	Max 2 (1 item per 2 outputs)	Max 4 (1 item per 2 outputs)	Max 8 (1 item per 2 outputs)

Do not turn on the fixture in the absence of water

DIVE SERIES

LINEA DIVE

The DIVE series, IP68 rated, ensures a high standard performance in aquatic environments: every Dive fixture supports a 24Vdc power source to ensure maximum safety in swimming pools and public areas. You can also choose the 48Vdc power source solution where allowed.

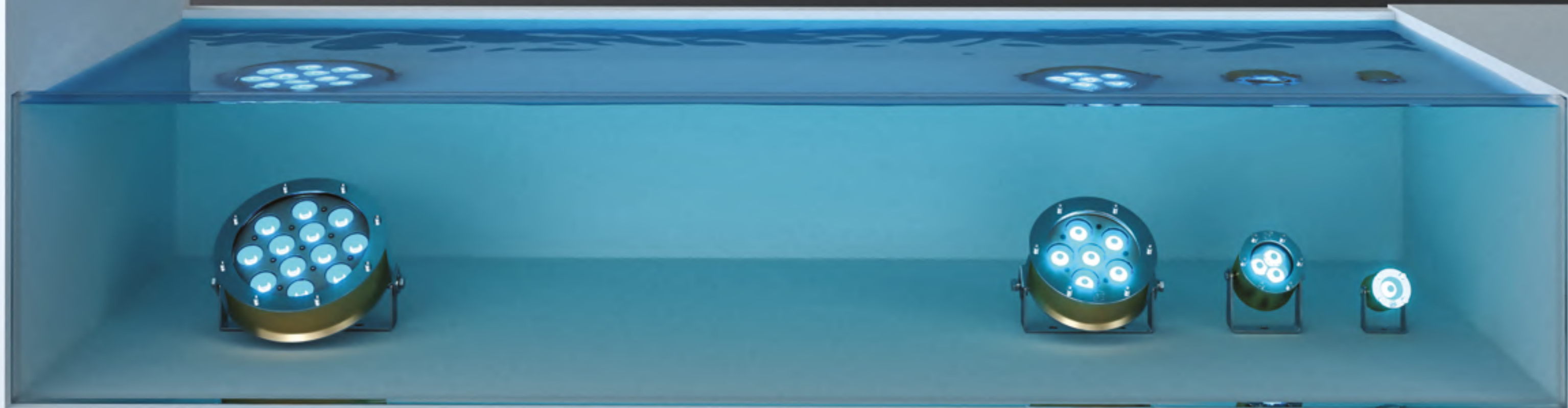
Made unique by a special selection of materials and an essential design, the Dive projectors are available in a wide range of sizes, wattages and light outputs.

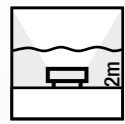
Thanks to the stainless-steel bracket, they are ideal for applications where a smooth and easy intervention is required.

La linea DIVE, classificata IP68, assicura la massima performance in ambienti ad immersione.

Tutti i proiettori Dive supportano l'alimentazione a 24Vdc per garantire la massima sicurezza in piscine e zone pubbliche. È inoltre possibile scegliere soluzioni a 48Vdc per ambienti in cui la normativa lo consenta.

Caratterizzati dalla particolare selezione dei materiali e dal design essenziale i Dive, sono disponibili in numerose varianti di dimensione, potenza, flusso luminoso e, grazie alla staffa in acciaio inox, sono ideali per applicazioni in cui sia richiesta facilità di intervento.





DIVE 1



FEATURES



CERTIFICATIONS



TREATMENTS

FINITURE

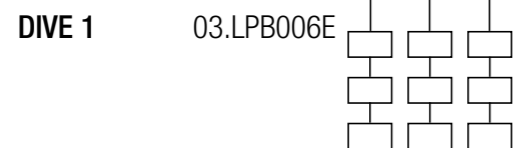
BRONZE AND STEEL	99

LED

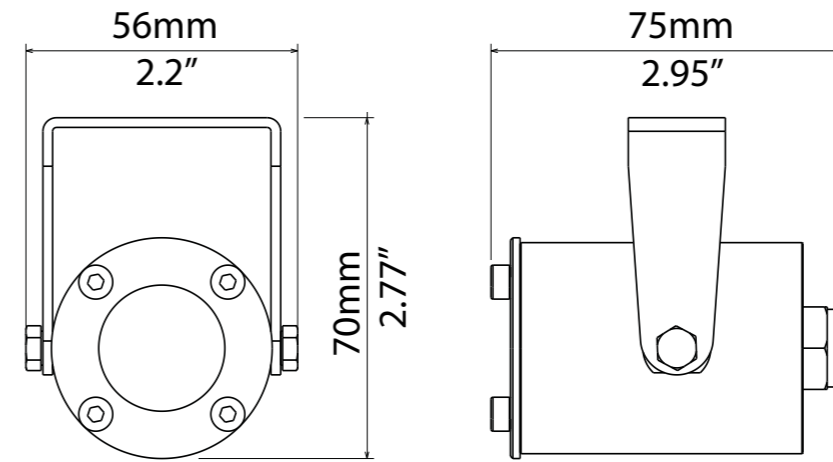
FULL COLOR (RGBW)	FC

LENS

MF - 22°	25
WF - 38°	40



TECHNICAL



OUTPUT	<ul style="list-style-type: none"> 1 x 4-colors LED Lumen output (RGBW): 415 @ 700mA LED lifespan: 50,000 hours (70% lumen output)
OPTICAL GROUP	<ul style="list-style-type: none"> Medium flood 22° Wide flood 38°
POWER SUPPLY	<ul style="list-style-type: none"> External CC PSU LED driver 24Vdc 700mA max per channel Max distance between Drivenet PSU and fixture 100 m Consumption: max 10 W @ 700mA
CONNECTIONS	<ul style="list-style-type: none"> 1 x 5 m end-stripped 8-pole cable (Specific lengths needs must be requested to the sales manager at the time of ordering)
PHYSICAL	<ul style="list-style-type: none"> Housing: Bronze / Stainless Steel Weight: 0.8 Kg (1.76 lbs)

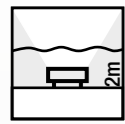
ACCESSORIES ON REQUEST

- 0509C113** • 8-pole underwater cable 8 x 0.34 mm²
- 03.LA.131.IP56** • HUB-IP56 Screw terminals 1 IN / 3 OUT
- 03.LA.131** • HUB-IP20 Screw terminals 1 IN / 3 OUT

CONNECTIONS CHART

DRIVENET 28C DIN @24Vdc	DRIVENET 832 24Vdc	DRIVENET 1664 24Vdc	-	-
Max 12 (6 items per output)	Max 48 (6 items per output)	Max 96 (6 items per output)	-	-

Do not turn on the fixture in the absence of water



DIVE 3



FEATURES



CERTIFICATIONS



TREATMENTS

FINITURE

BRONZE AND STEEL	99

LED

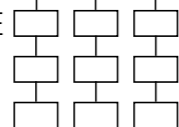
FULL COLOR (RGBW)	FC

LENS

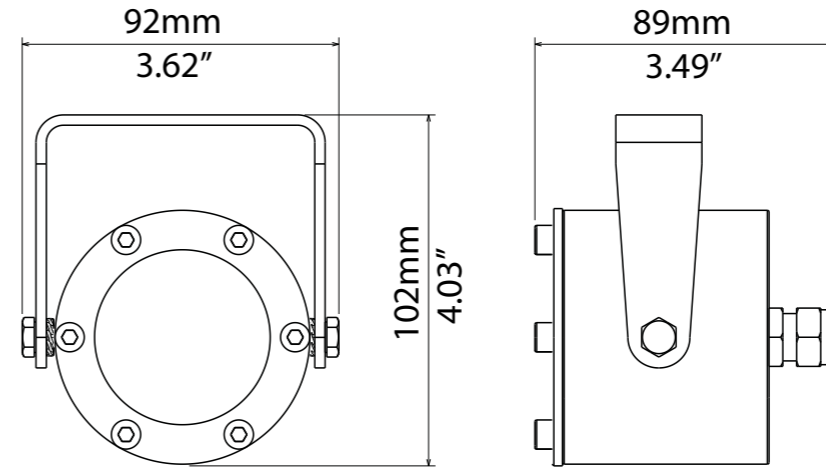
MF - 22°	25
WF - 28°	40

DIVE 3

03.LPB011E



TECHNICAL



OUTPUT	<ul style="list-style-type: none"> 3 x 4-colors LEDs Lumen output (RGBW): 1,245 @ 700mA LED lifespan: 50,000 hours (70% lumen output)
OPTICAL GROUP	<ul style="list-style-type: none"> Medium flood 22° Wide flood 28°
POWER SUPPLY	<ul style="list-style-type: none"> External CC PSU LED driver 24 Vdc 700mA max per channel Max distance between Drivenet PSU and fixture 100 m Consumption: max 30 W @ 700mA
CONNECTIONS	<ul style="list-style-type: none"> 1 x 5 m end-stripped 8-pole cable (Specific lengths needs must be requested to the sales manager at the time of ordering)
PHYSICAL	<ul style="list-style-type: none"> Housing: Bronze / Stainless Steel Weight: 1.5 Kg (3.3 lbs)

ACCESSORIES ON REQUEST



0509C113 • 8-pole underwater cable 8 x 0.34 mm²



03.LA.131.IP56 • HUB-IP56 Screw terminals 1 IN / 3 OUT

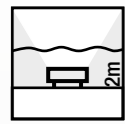


03.LA.131 • HUB-IP20 Screw terminals 1 IN / 3 OUT

CONNECTIONS CHART

DRIVENET 28C DIN @24Vdc	DRIVENET 832 24Vdc	DRIVENET 1664 24Vdc	-	-
Max 4 (2 items per output)	Max 16 (2 items per output)	Max 32 (2 items per output)	-	-

Do not turn on the fixture in the absence of water

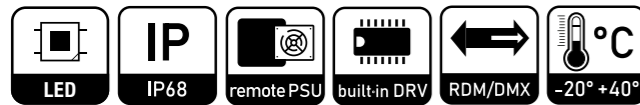


DIVE.D 6

EX DIVE 6 SOLO



FEATURES



CERTIFICATIONS



TREATMENTS

FINITURE

BRONZE AND STEEL	99

LED

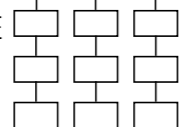
FULL COLOR (RGBW)	FC

LENS

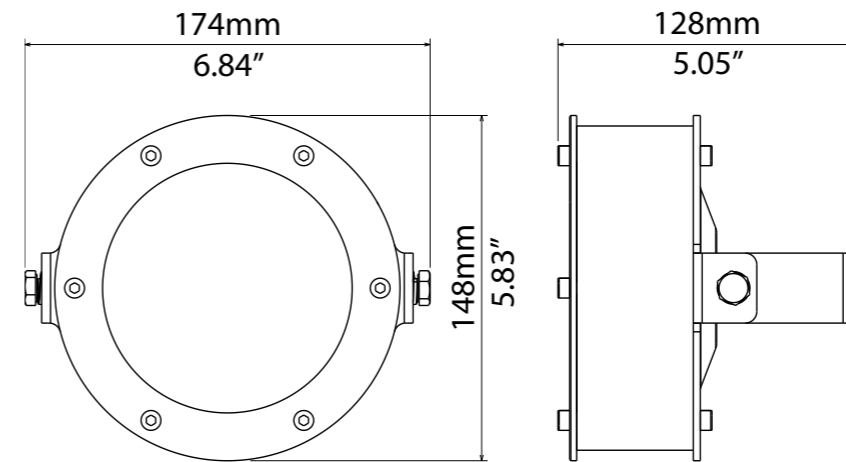
MF - 22°	25
WF - 40°	40

DIVE.D 6

03.LPB023E



TECHNICAL



OUTPUT	<ul style="list-style-type: none"> 6 x 4-colors LEDs Lumen output (RGBW): 2,300 @ 700mA LED lifespan: 50,000 hours (70% lumen output)
OPTICAL GROUP	<ul style="list-style-type: none"> Medium flood 22° Wide flood 40°
CONTROL	<ul style="list-style-type: none"> DMX 512 / RDM protocols DMX address settings and functions can be also managed by the dedicated DLC 901 remote control Firmware updatable via DTS firmware uploader dongle
DMX	<ul style="list-style-type: none"> 4 DMX channels (default) 11 DMX channels
POWER SUPPLY	<ul style="list-style-type: none"> LED driver on board External constant voltage PSU LED driver 27 ÷ 30Vdc Max projector distance: 50 m Consumption: 60 W max
CONNECTIONS	<ul style="list-style-type: none"> 1 x 5 m end-stripped 4-pole cable for Power and DMX (Specific lengths needs must be requested to the sales manager at the time of ordering)
PHYSICAL	<ul style="list-style-type: none"> Housing: Bronze / Stainless Steel Weight: 3.9 Kg (8.6 lbs)

ACCESSORIES ON REQUEST



0509C078 • 4-pole underwater cable



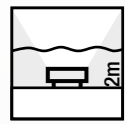
Max. 1 unit
0502T102 • Constant voltage PSU 30Vdc 90W *IP67



03.LA.063.1 • Dongle DLC 901



03.LA.206 • DTS firmware uploader dongle



DIVE 6



FEATURES



CERTIFICATIONS



TREATMENTS

FINITURE

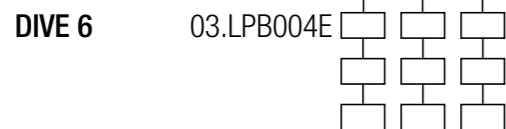
BRONZE AND STEEL	99

LED

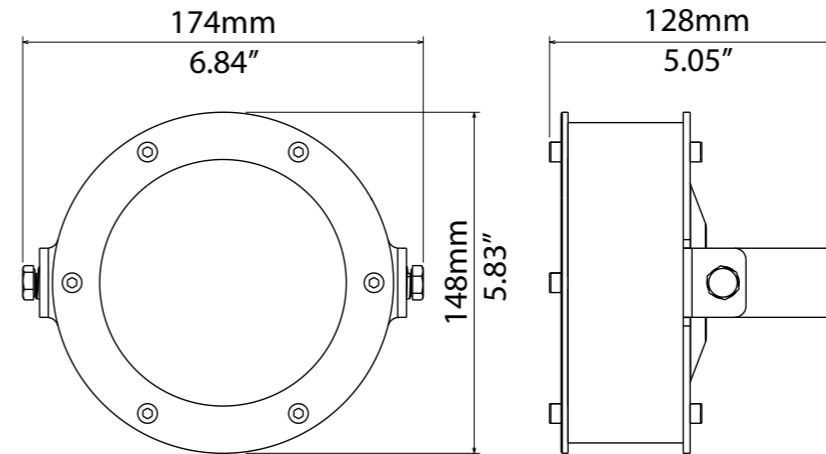
FULL COLOR (RGBW)	FC

LENS

MF - 22°	25
WF - 40°	40



TECHNICAL



OUTPUT	<ul style="list-style-type: none"> 6 x 4-colors LEDs Lumen output (RGBW): 2,300 @ 700mA LED lifespan: 50,000 hours (70% lumen output)
OPTICAL GROUP	<ul style="list-style-type: none"> Medium flood 22° Wide flood 40°
POWER SUPPLY	<ul style="list-style-type: none"> External CC PSU LED driver 24Vdc 700mA max per channel Max distance between Drivenet PSU and fixture 100 m Consumption: max 60 W @ 700mA
CONNECTIONS	<ul style="list-style-type: none"> 1 x 5 m end-stripped 8-pole cable (Specific lengths needs must be requested to the sales manager at the time of ordering)
PHYSICAL	<ul style="list-style-type: none"> Housing: Bronze / Stainless Steel Weight: 3.9 Kg (8.6 lbs)

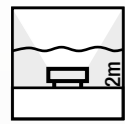
ACCESSORIES ON REQUEST

- 0509C159** • 8-pole underwater cable
- 03.LA.131.IP56** • HUB-IP56 Screw terminals 1 IN / 3 OUT
- 03.LA.131** • HUB-IP20 Screw terminals 1 IN / 3 OUT

CONNECTIONS CHART

DRIVENET 28C DIN @24Vdc	DRIVENET 832 24Vdc	DRIVENET 1664 24Vdc	-	-
Max 2 (1 item per output)	Max 8 (1 item per output)	Max 16 (1 item per output)	-	-

Do not turn on the fixture in the absence of water



DIVE 12

EX DIVE 12



FEATURES



CERTIFICATIONS



TREATMENTS

FINITURE

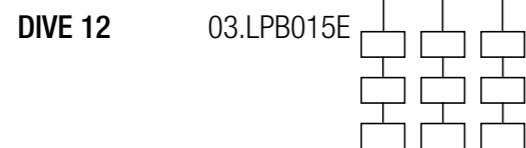
BRONZE AND STEEL	99

LED

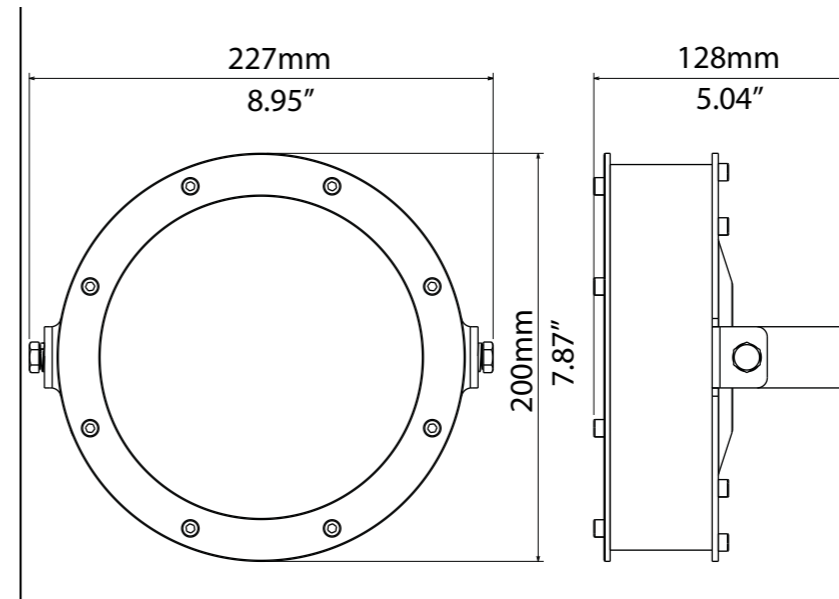
FULL COLOR (RGBW)	FC

LENS

MF - 27°	25
WF - 37°	40



TECHNICAL



OUTPUT	<ul style="list-style-type: none"> • 12 x 4-colors LEDs • Lumen output (RGBW): 4,580 @ 700mA • LED lifespan: 50,000 hours (70% lumen output)
OPTICAL GROUP	<ul style="list-style-type: none"> • Medium flood 27° • Wide flood 37°
POWER SUPPLY	<ul style="list-style-type: none"> • External CC PSU LED driver 24Vdc 1.4A max per channel • Max distance between Drivenet PSU and fixture 100 m • Consumption: max 120 W @ 700mA
CONNECTIONS	<ul style="list-style-type: none"> • 1 x 5 m end-stripped 8-pole cable (Specific lengths needs must be requested to the sales manager at the time of ordering)
PHYSICAL	<ul style="list-style-type: none"> • Weight: 6.4 Kg (14.1 lbs)

ACCESSORIES ON REQUEST

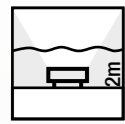


0509C159 • 8-pole underwater cable

CONNECTIONS CHART

-	-	-	DRIVENET 832 POWER 24Vdc (set @ 1.4A)	-
-	-	-	Max 8 (1 item per output)	-

Do not turn on the fixture in the absence of water



DIVE 12 48VDC

HELIOS BRONZE 12



FEATURES



CERTIFICATIONS



TREATMENTS

FINITURE

BRONZE AND STEEL	99

LED

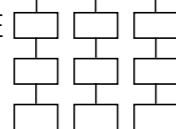
FULL COLOR (RGBW)	FC

LENS

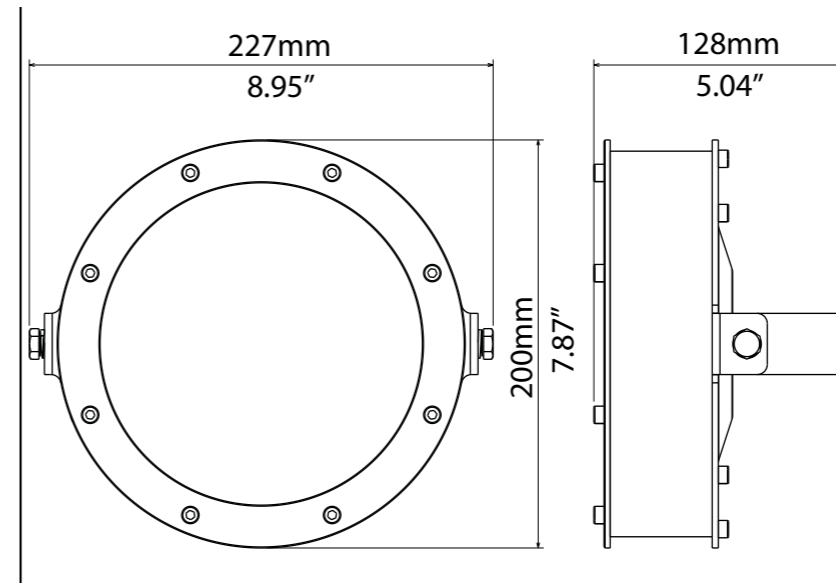
MF - 27°	25
WF - 37°	40

DIVE 12 48 VDC

03.LIB006E



TECHNICAL



OUTPUT	<ul style="list-style-type: none"> 12 x 4-colors LEDs Lumen output (RGBW): 4,580 @ 700mA LED lifespan: 50,000 hours (70% lumen output)
OPTICAL GROUP	<ul style="list-style-type: none"> Medium flood 27° Wide flood 37°
POWER SUPPLY	<ul style="list-style-type: none"> External CC PSU LED driver 48Vdc 700mA max per channel (Be aware: refer to local regulations in terms of underwater products) Max distance between Drivenet PSU and fixture 100 m Consumption: max 120 W @ 700mA
CONNECTIONS	<ul style="list-style-type: none"> 1 x 90 cm end-stripped 8-pole cable (Specific lengths needs must be requested to the sales manager at the time of ordering)
PHYSICAL	<ul style="list-style-type: none"> Weight: 6.4 Kg (14.1 lbs)

ACCESSORIES ON REQUEST



0509C159 • 8-pole underwater cable

CONNECTIONS CHART

DRIVENET 28C DIN @48Vdc	DRIVENET 28 EZ	DRIVENET 416	DRIVENET 832	DRIVENET 1664
Max 2 (1 item per output)	Max 2 (1 item per output)	Max 4 (1 item per output)	Max 8 (1 item per output)	Max 16 (1 item per output)

Do not turn on the fixture in the absence of water

AKHELIOS SERIES

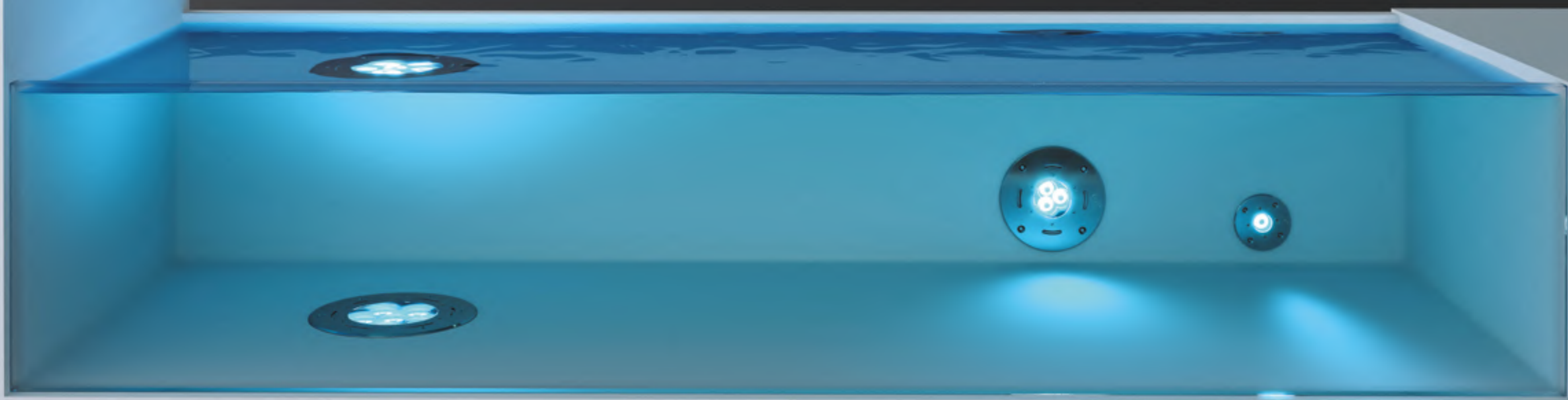
LINEA AKHELIOS

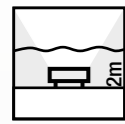
The AKHELIOS series, IP68 rated, ensures a high standard performance in aquatic environments: every Akheilios fixture supports a 24Vdc power source to ensure maximum safety in swimming pools and public areas (the 48Vdc power source solutions are also available to be used where allowed).

Designed to meet the requirement for maximum discretion, the Akhelios are characterized by a particular selection of materials that ensure their stability over time. The range includes different options of size, wattage and luminous output.

La linea AKHELIOS, classificata IP68, assicura la massima performance in ambienti ad immersione: tutti i proiettori Akheilios supportano l'alimentazione a 24Vdc per garantire la massima sicurezza in piscine e zone pubbliche (soluzioni a 48Vdc sono disponibili per ambienti in cui la normativa lo consenta).

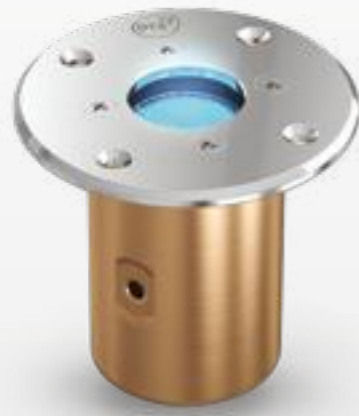
Gli Akhelios sono stati studiati per rispondere ad esigenze di massima discrezione, ma caratterizzati dalla particolare selezione dei materiali che ne assicurano la stabilità nel tempo. La linea si compone di numerose varianti di dimensione, potenza, flusso luminoso.





AKHELIOS 1

EX DIVE 1 R



FEATURES



CERTIFICATIONS



TREATMENTS

FINITURE

BRONZE AND STEEL	99

LED

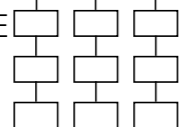
FULL COLOR (RGBW)	FC

LENS

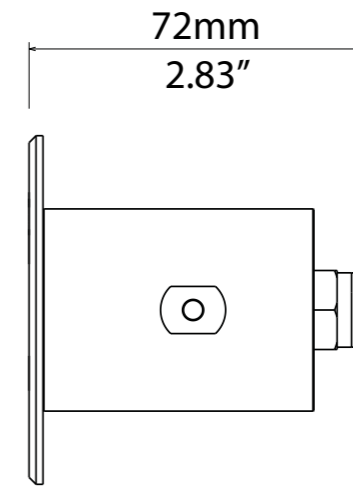
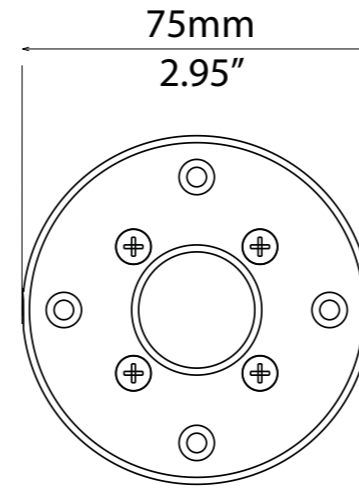
MF - 22°	25
WF - 38°	40

AKHELIOS 1

03.LPS006E



TECHNICAL



OUTPUT	<ul style="list-style-type: none"> 1 x 4-colors LED Lumen output (RGBW): 415 @ 700mA LED lifespan: 50,000 hours (70% lumen output)
OPTICAL GROUP	<ul style="list-style-type: none"> Medium flood 22° Wide flood 38°
POWER SUPPLY	<ul style="list-style-type: none"> External CC PSU LED driver 24 Vdc 700mA max per channel Max distance between Drivenet PSU and fixture 100 m Consumption: max 10 W @ 700mA
CONNECTIONS	<ul style="list-style-type: none"> 1 x 5 m end-stripped 8-pole cable (Specific lengths needs must be requested to the sales manager at the time of ordering)
PHYSICAL	<ul style="list-style-type: none"> Housing: Bronze / Stainless Steel Weight: 1 Kg (2.2 lbs)

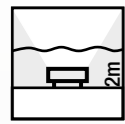
CONNECTIONS CHART

DRIVENET 28C DIN @24Vdc	DRIVENET 832 24Vdc	DRIVENET 1664 24Vdc	-	-
Max 12 (6 items per output)	Max 48 (6 items per output)	Max 96 (6 items per output)	-	-

Do not turn on the fixture in the absence of water

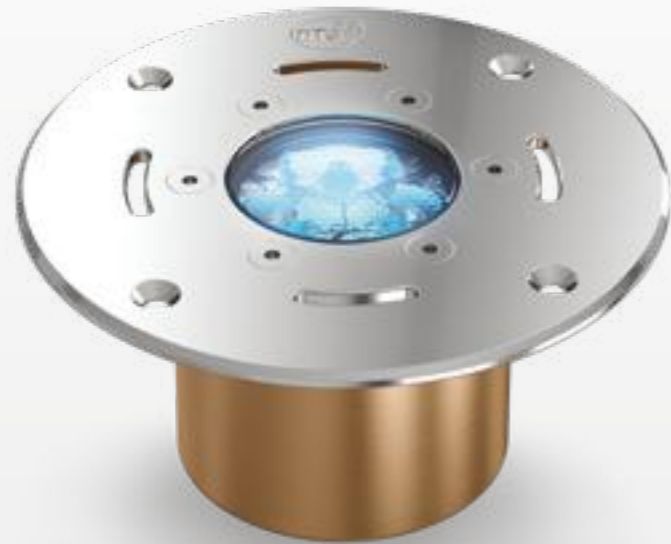
ACCESSORIES ON REQUEST

- 0509C113** • 8-pole underwater cable 8 x 0.34 mm²
- 03.LA.131.IP56** • HUB-IP56 Screw terminals 1 IN / 3 OUT
- 03.LA.131** • HUB-IP20 Screw terminals 1 IN / 3 OUT
- 03.LA.113** • Outercase stay-in-place casting form IP20
- 03.LA.223** • Outercase stay-in-place casting form IP68



AKHELIOS 3

EX DIVE 3 R



FEATURES



CERTIFICATIONS



TREATMENTS

FINITURE

BRONZE AND STEEL	99

LED

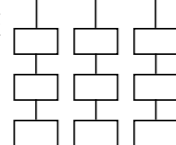
FULL COLOR (RGBW)	FC

LENS

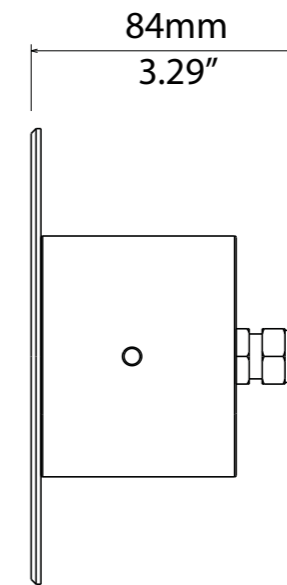
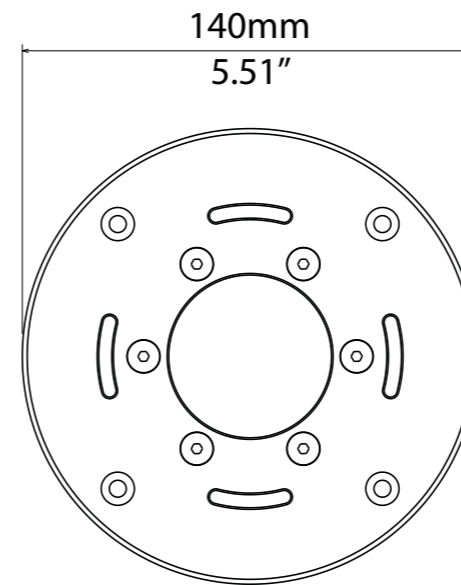
MF - 22°	25
WF - 28°	40

AKHELIOS 3

03.LPS011E



TECHNICAL



OUTPUT	• 3 x 4-colors LEDs
	• Lumen output (RGBW): 1,245 @ 700mA
	• LED lifespan: 50,000 hours (70% lumen output)
OPTICAL GROUP	• Medium flood 22°
	• Wide flood 28°
POWER SUPPLY	• External CC PSU LED driver 24Vdc 700mA max per channel
	• Max distance between Drivenet PSU and fixture 100 m
	• Consumption: max 30 W @ 700mA
CONNECTIONS	• 1 x 5 m end-stripped 8-pole cable (Specific lengths needs must be requested to the sales manager at the time of ordering)
PHYSICAL	• Housing: Bronze / Stainless Steel
	• Weight: 1.9 Kg (4.2 lbs)

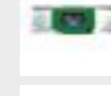
ACCESSORIES ON REQUEST



0509C113 • 8-pole underwater cable
8 x 0.34 mm²



03.LA.131.IP56 • HUB-IP56 Screw terminals 1 IN / 3 OUT



03.LA.131 • HUB-IP20 Screw terminals 1 IN / 3 OUT

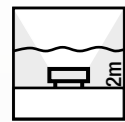


03.LA.079 • Outer case stay-in-place casting form

CONNECTIONS CHART

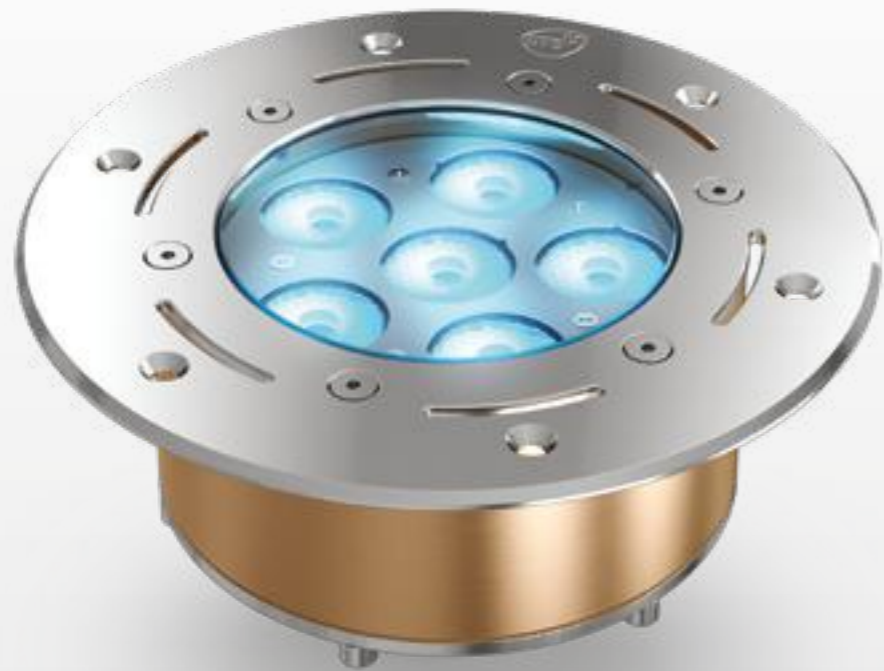
DRIVENET 28C DIN @24Vdc	DRIVENET 832 24Vdc	DRIVENET 1664 24Vdc	-	-
Max 4 (2 items per output)	Max 16 (2 items per output)	Max 32 (2 items per output)	-	-

Do not turn on the fixture in the absence of water

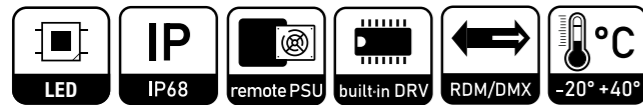


AKHELIOS.D 6

EX DIVE 6 R SOLO



FEATURES



CERTIFICATIONS



TREATMENTS

FINITURE

BRONZE AND STEEL	99

LED

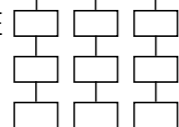
FULL COLOR (RGBW)	FC

LENS

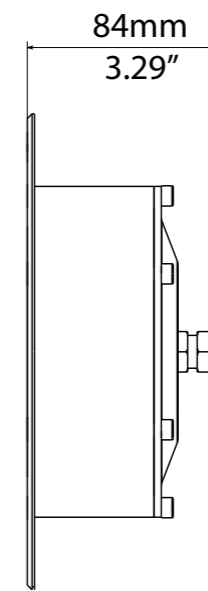
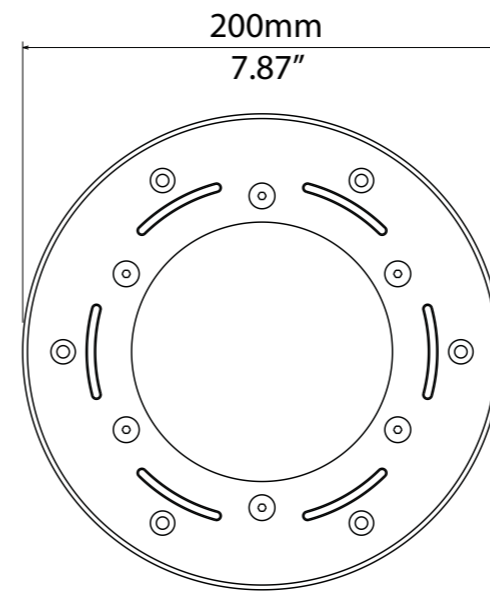
MF - 22°	25
WF - 40°	40

AKHELIOS.D 6

03.LPS023E





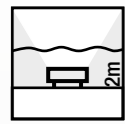
TECHNICAL



OUTPUT	<ul style="list-style-type: none"> 6 x 4-colors LEDs Lumen output (RGBW): 2,300 @ 700mA LED lifespan: 50,000 hours (70% lumen output)
OPTICAL GROUP	<ul style="list-style-type: none"> Medium flood 22° Wide flood 40°
CONTROL	<ul style="list-style-type: none"> DMX 512 / RDM protocols DMX address settings and functions can be also managed by the dedicated DLC 901 remote control Firmware updatable via DTS firmware uploader dongle
DMX	<ul style="list-style-type: none"> 4 DMX channels (default) 11 DMX channels
POWER SUPPLY	<ul style="list-style-type: none"> LED driver on board External constant voltage PSU LED driver 27 ÷ 30 Vdc Max projector distance to PSU LED driver: 50 m Consumption: 60 W max
CONNECTIONS	<ul style="list-style-type: none"> 1 x 5 m end-stripped 4-pole cable for Power and DMX (Specific lengths needs must be requested to the sales manager at the time of ordering)
PHYSICAL	<ul style="list-style-type: none"> Housing: Bronze / Stainless Steel Weight: 3.9 Kg (8.6 lbs)

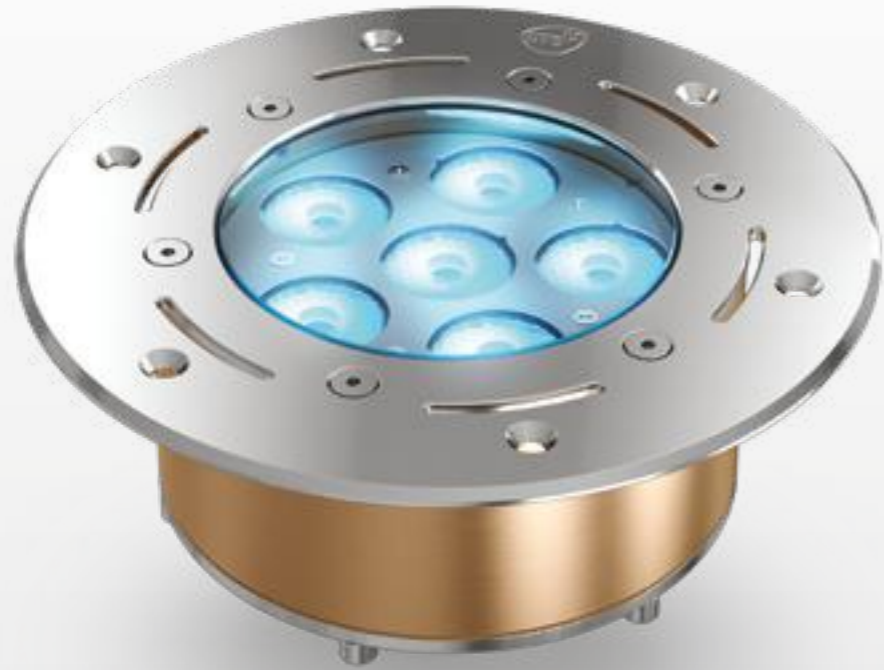
ACCESSORIES ON REQUEST

-  **0509C078** • 4-pole underwater cable 4 x 1.5 mm²
-  **Max. 1 unit 0502T102** • Constant voltage PSU 30Vdc 90W *IP67
-  **03.LA.063.1** • Dongle DLC 901
-  **03.LA.206** • DTS firmware uploader dongle
-  **03.LA.078** • Outercase stay-in-place casting form



AKHELIOS 6

EX DIVE 6 R



FEATURES



CERTIFICATIONS



TREATMENTS

FINITURE

BRONZE AND STEEL	99

LED

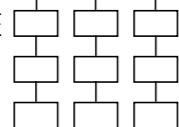
FULL COLOR (RGBW)	FC

LENS

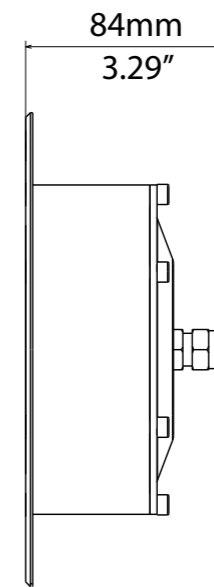
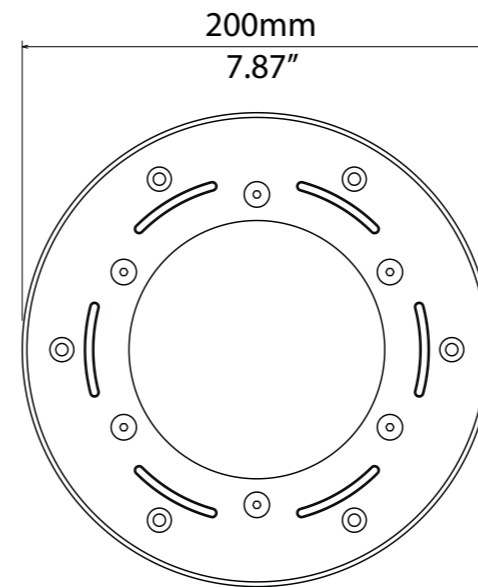
MF - 22°	25
WF - 40°	40

AKHELIOS 6

03.LPS004E



TECHNICAL



OUTPUT	<ul style="list-style-type: none"> 6 x 4-colors LEDs Lumen output (RGBW): 2,300 @ 700mA LED lifespan: 50,000 hours (70% lumen output)
OPTICAL GROUP	<ul style="list-style-type: none"> Medium flood 22° Wide flood 40°
POWER SUPPLY	<ul style="list-style-type: none"> External CC PSU LED driver 24Vdc 700mA max per channel Max distance between Drivenet PSU and fixture 100 m Consumption: max 60 W @ 700mA
CONNECTIONS	<ul style="list-style-type: none"> 1 x 5 m end-stripped 8-pole cable (Specific lengths needs must be requested to the sales manager at the time of ordering)
PHYSICAL	<ul style="list-style-type: none"> Housing: Bronze / Stainless Steel Weight: 3.9 Kg (8.6 lbs)

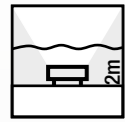
ACCESSORIES ON REQUEST

- 0509C159** • 8-pole underwater cable
- 03.LA.131.IP56** • HUB-IP56 Screw terminals 1 IN / 3 OUT
- 03.LA.131** • HUB-IP20 Screw terminals 1 IN / 3 OUT
- 03.LA.078** • Outercase stay-in-place casting form

CONNECTIONS CHART

DRIVENET 28C DIN @24Vdc	DRIVENET 832 24Vdc	DRIVENET 1664 24Vdc	-	-
Max 2 (1 item per output)	Max 8 (1 item per output)	Max 16 (1 item per output)	-	-

Do not turn on the fixture in the absence of water

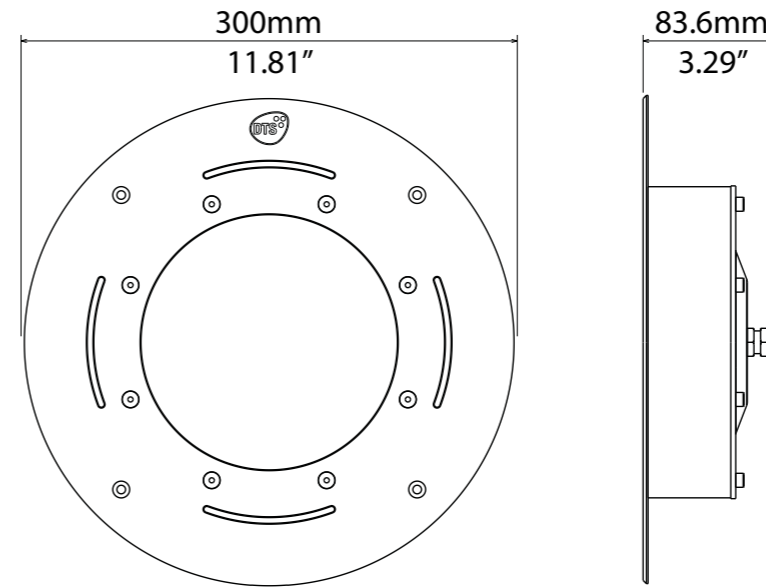


AKHELIOS 12

EX DIVE 12 R



TECHNICAL



ACCESSORIES ON REQUEST



0509C159 • 8-pole underwater cable



03.LA.059 • Outercase stay-in-place casting form

FEATURES



CERTIFICATIONS



TREATMENTS

FINITURE

BRONZE AND STEEL	99

LED

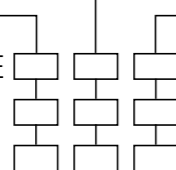
FULL COLOR (RGBW)	FC

LENS

MF - 27°	25
WF - 37°	40

AKHELIOS 12

03.LPS015E

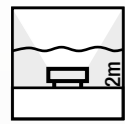


OUTPUT	<ul style="list-style-type: none"> • 12 x 4-colors LEDs • Lumen output (RGBW): 4,580 @ 700mA • LED lifespan: 50,000 hours (70% lumen output)
OPTICAL GROUP	<ul style="list-style-type: none"> • Medium flood 27° • Wide flood 37°
POWER SUPPLY	<ul style="list-style-type: none"> • External CC PSU LED driver 24 Vdc 1.4A max per channel • Max distance between Drivenet PSU and fixture 100 m • Consumption: max 120 W @ 700mA
CONNECTIONS	<ul style="list-style-type: none"> • 1 x 5 m end-stripped 8-pole cable (Specific lengths needs must be requested to the sales manager at the time of ordering)
PHYSICAL	<ul style="list-style-type: none"> • Housing: Bronze / Stainless Steel • Weight: 6.5 Kg (14.3 lbs)

CONNECTIONS CHART

-	-	-	DRIVENET 832 POWER 24Vdc (set @ 1.4A)	-
-	-	-	Max 8 (1 item per output)	-

Do not turn on the fixture in the absence of water



AKHELIOS 12 48VDC

HELIOS BRONZE 12 R



FEATURES



CERTIFICATIONS



TREATMENTS

FINITURE

BRONZE AND STEEL	99

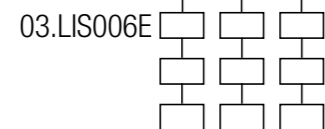
LED

FULL COLOR (RGBW)	FC

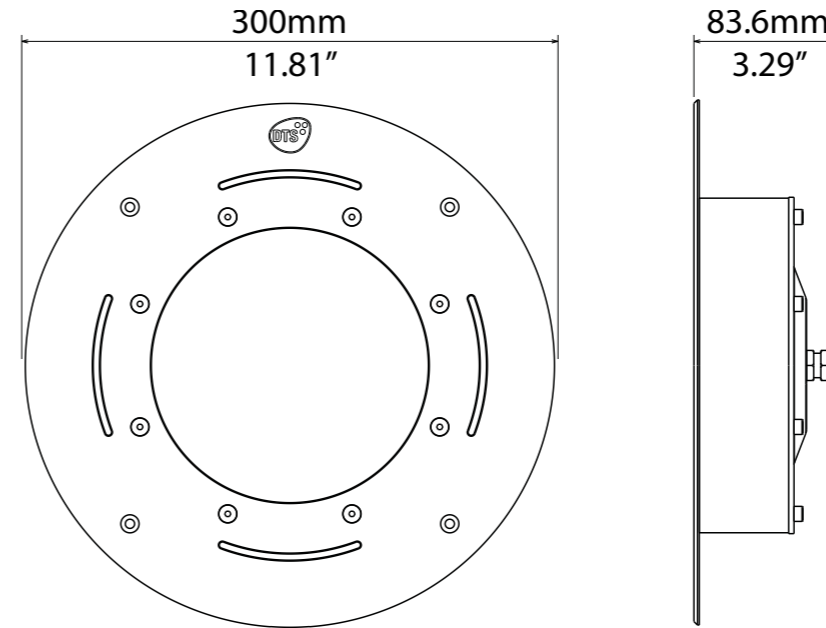
LENS

MF - 27°	25
WF - 37°	40

AKHELIOS 12 48 VDC



TECHNICAL



ACCESSORIES ON REQUEST



0509C159 • 8-pole underwater cable



03.LA.059 • Outercase stay-in-place casting form

OUTPUT	<ul style="list-style-type: none"> • 12 x 4-colors LEDs • Lumen output (RGBW): 4,580 @ 700mA • LED lifespan: 50,000 hours (70% lumen output)
OPTICAL GROUP	<ul style="list-style-type: none"> • Medium flood 27° • Wide flood 37°
POWER SUPPLY	<ul style="list-style-type: none"> • External CC PSU LED driver 48Vdc 700mA max per channel (Be aware: refer to local regulations in terms of underwater products) • Max distance between Drivenet PSU and fixture 100 m • Consumption: max 120 W @ 700mA
CONNECTIONS	<ul style="list-style-type: none"> • 1 x 90 cm end-stripped 8-pole cable (Specific lengths needs must be requested to the sales manager at the time of ordering)
PHYSICAL	<ul style="list-style-type: none"> • Housing: Bronze / Stainless Steel • Weight: 6.4 Kg (14.1 lbs)

CONNECTIONS CHART

DRIVENET 28C DIN @48Vdc	DRIVENET 28 EZ	DRIVENET 416	DRIVENET 832	DRIVENET 1664
Max 2 (1 item per output)	Max 2 (1 item per output)	Max 4 (1 item per output)	Max 8 (1 item per output)	Max 16 (1 item per output)

Do not turn on the fixture in the absence of water

VICE SERIES

LINEA VICE

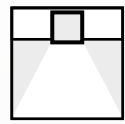
The VICE line is designed for indoor venues where discretion and elegance are of paramount importance, such as retail stores and professional spaces.

The optimal performance and the use of white or full color LEDs allow to fully manage the light output and to adapt the product to any specific need.

Vice is perfect for ceiling applications, because it integrates seamlessly thanks to its round flange. Also, thanks to the external power supply, you can control a large number of units with ease.

La gamma di incassi per interno VICE è stata progettata per soddisfare le esigenze di illuminazione in ambienti in cui la discrezione e l'eleganza sono di principale importanza, come attività di retail e ambienti professionali.

L'ottimale rendimento e l'impiego di LED bianchi o full color consentono di gestire interamente l'output luminoso per adattare il prodotto ad ogni esigenza specifica. Vice è perfetto per applicazioni a soffitto a cui si integra perfettamente con la sua flangia rotonda e, grazie all'alimentazione esterna, è possibile controllare un grande numero di unità con facilità.

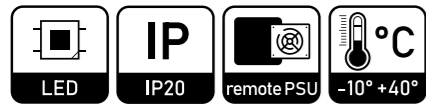


VICE 1 DOWNLIGHT

EX VICE



FEATURES



CERTIFICATIONS



TREATMENTS

FINITURE

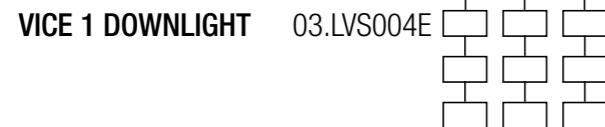
ALUMINIUM + RAL 9010	03

LED

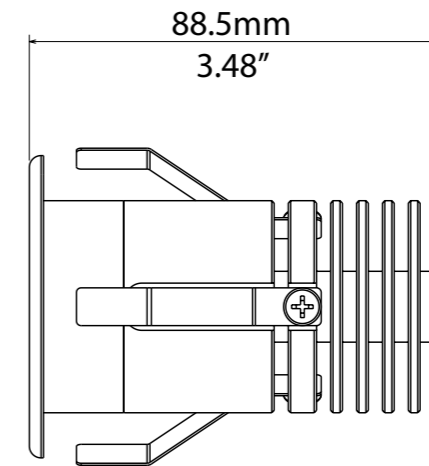
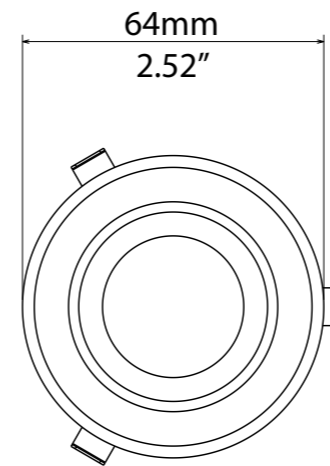
FULL COLOR (RGBW)	FC

LENS

MF - 22°	25
WF - 38°	40



TECHNICAL



OUTPUT	<ul style="list-style-type: none"> 1 x 4 color LEDs Lumen output (RGBW): 415 @ 700mA LED lifespan: 50,000 hours (70% lumen output)
OPTICAL GROUP	<ul style="list-style-type: none"> Medium flood 22° Wide flood 38°
POWER SUPPLY	<ul style="list-style-type: none"> External CC PSU LED driver 700mA max per channel Max distance between Drivenet PSU and fixture 100 m Consumption: max 10 W @ 700mA
CONNECTIONS	<ul style="list-style-type: none"> 1 x 90 cm end-stripped 8-pole cable
PHYSICAL	<ul style="list-style-type: none"> Housing: Aluminium Flange: 9010 finishing Weight: 0.36 Kg (0.8 lbs)

ACCESSORIES ON REQUEST



03.LA.131 • HUB-IP20 Screw terminal 1 in / 3 out



03.LA.131.IP56 • HUB-IP56 Screw terminal 1 in / 3 out



0509C062.PUR • 8-pole outdoor cable

CONNECTIONS CHART

DRIVENET 28C DIN @48Vdc	DRIVENET 28 EZ	DRIVENET 416	DRIVENET 832	DRIVENET 1664
Max 24 (12 items per output)	Max 24 (12 items per output)	Max 48 (12 items per output)	Max 96 (12 items per output)	Max 192 (12 items per output)



FOCUS.D ZOOM SERIES

LINEA FOCUS.D ZOOM

FOCUS.D ZOOM is an extremely compact IP20 LED projector with a long-range manual zoom (from 3.5° to 52°). It is ideal for small and medium-sized spaces where the right light power is required.

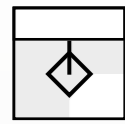
Thanks to the RGBW LED and the built-in control driver, it adapts to the most demanding expositive needs.

The external power supply ensures a discreet installation and an easy management where a large number of units is required. Focus.D Zoom is ideal such as exhibition or commercial areas and in retail stores.

FOCUS.D ZOOM è un proiettore LED IP20 estremamente compatto e dotato uno zoom manuale a lunga escursione (3,5° - 52°) che lo rende ideale per ambienti di piccole e medie dimensioni in cui sia richiesta una buona potenza luminosa.

Grazie al LED RGBW e al driver di controllo integrato si adatta alle più esigenti richieste espositive, mentre l'alimentazione esterna assicura un'installazione discreta e un'agevole gestione laddove sia richiesta l'installazione di ampio numero di unità. Ben integrabile in ambienti quali aree espositive o commerciali e in negozi al dettaglio.



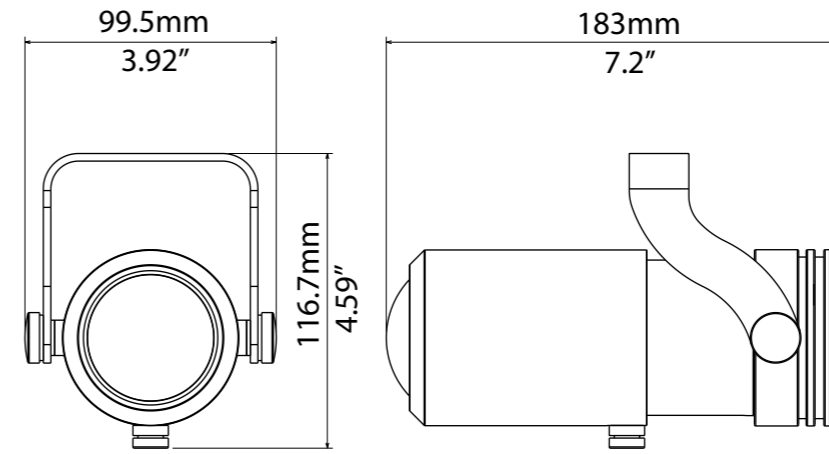


FOCUS.D ZOOM 1 IP20

EX FOCUS SOLO ZOOM IP20



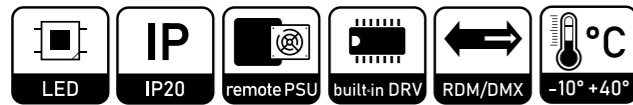
TECHNICAL



ACCESSORIES ON REQUEST

- Max 9 units parallel wired**
 - 0502T063** • Constant voltage PSU 48Vdc 100W IP67
 - 0502T056** • Constant voltage PSU 24Vdc 100W IP67
 - 0502T067** • Constant voltage PSU 12Vdc 100W IP67
- Max 1 unit**
 - 0509B023** • Constant voltage PSU 12Vdc 20W IP67
- Max. 4 units (1 item per output)**
 - 03.LA.227** • DMX Power Hub
- 0509C083** • 4-pole outdoor cable
- 03.LA.063.1** • Dongle DLC 901
- 03.LA.206** • DTS firmware uploader dongle
- 0521A010** • Safety cable - 3 x 600 mm - max. capacity load 30 Kg (66 lbs)

FEATURES



CERTIFICATIONS



TREATMENTS

OUTPUT	<ul style="list-style-type: none"> • 1 x 4 color LED • Lumen output (RGBW): 429 @ 700mA • LED lifespan: 50,000 hours (70% lumen output)
OPTICAL GROUP	<ul style="list-style-type: none"> • Long excursion 3.5° - 52° manual zoom
CONTROL	<ul style="list-style-type: none"> • DMX 512 / RDM protocols • DMX address setting and functions can be also managed by the dedicated DLC 901 remote control
DMX	<ul style="list-style-type: none"> • 4 DMX channels (default) • 10 channels
POWER SUPPLY	<ul style="list-style-type: none"> • LED driver on board • External PSU LED driver 12 ÷ 48 Vdc • Consumption: 10 W max
CONNECTIONS	<ul style="list-style-type: none"> • 90 cm end-stripped 4-pole cable for Power and DMX
PHYSICAL	<ul style="list-style-type: none"> • Weight: 0.94 Kg (2 lbs)

FINITURE

<input type="checkbox"/> SILVER - RAL 9006	21

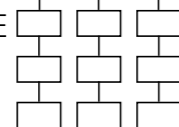
LED

<input type="checkbox"/> FULL COLOR (RGBW)	FC
<input type="checkbox"/> HQS (RGBA)	FY

LENS

<input type="checkbox"/> ZOOM 3.5°/52°	99

FOCUS.D ZOOM 1 IP20 03.LCB009E





The SCENA line has been designed for theatre installations, and offers a remarkable light quality emission, both in full color LED variants, and in white LEDs, which include the variable temperature color solutions.

The classic design, combined with the unmatched performance of the Fresnel lens and the wide zoom excursion, ensures a striking wash lighting.

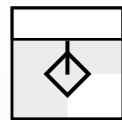
The wide range of projectors fits the numerous and changing needs of the exhibition world, such as museum installations, showrooms, large multifunctional spaces or fixed equipment of photographic or theatrical studios with solutions that can also be adapted to electrified tracks.

La linea SCENA, nata per il mondo teatrale, offre un'emissione luminosa di notevole qualità, sia nelle varianti con LED multichip, sia nelle varianti con LED bianchi, che comprendono la soluzione a temperatura colore variabile. Il design classico, unito alle inimitabili performance della lente Fresnel e all'ampia escursione di zoom, garantiscono un'illuminazione wash di grande impatto.

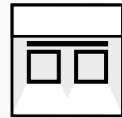
L'ampia gamma di proiettori è stata pensata per rispondere alle molteplici e variabili esigenze del mondo espositivo come installazioni museali, showroom, ampi spazi polifunzionali o dotazioni fisse di studi fotografici teatrali con soluzioni adattabili anche a binari elettrificati.

SCENA LED SERIES

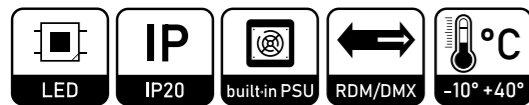
LINEA SCENA LED



SCENA LED 80



FEATURES



CERTIFICATIONS



TREATMENTS

FINITURE

■ BLACK - RAL 9005

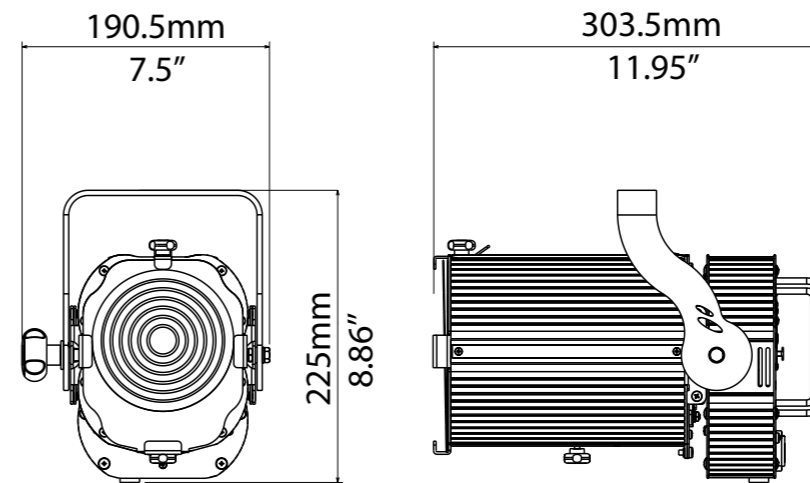
LED

FULL COLOR (RGBW)

SCENA LED 80 FC

03.TS026.46.T

TECHNICAL



OUTPUT	<ul style="list-style-type: none"> • Single high-power 4-colors LED • Lumen output (RGBW): up to 1,172 • LED lifespan: 50,000 hours (70% lumen output)
OPTICAL GROUP	<ul style="list-style-type: none"> • Ø 112 mm Fresnel lens • 14°- 77° linear zoom
CONTROL	<ul style="list-style-type: none"> • DMX 512 / RDM protocols • 4-digit 7-segment LED display + 4 soft keys • Firmware updatable via DTS firmware uploader dongle
DMX	<ul style="list-style-type: none"> • 10 DMX channels (default)
POWER SUPPLY	<ul style="list-style-type: none"> • Wide range 100-240Vac 50-60 Hz • Consumption: 100 W max • Power Factor: PF >0.95
CONNECTIONS	<ul style="list-style-type: none"> • Power supply: PowerCON In&Out panel connectors • DMX: XLR 5-pole In&Out panel connectors
CIRCUITS PROTECTION	<ul style="list-style-type: none"> • Overvoltage and overtemperature circuits protection
PHYSICAL	<ul style="list-style-type: none"> • Weight: 4.2 Kg (9.3 lbs)
ACCESSORIES INCLUDED	<ul style="list-style-type: none"> • 1 x PowerCON female cable connector (code 0520P014) • 1 x XLR 5 pins male cable connector (code 0508B028) • 1 x XLR 5 pins female cable connector (code 0508B027) • 1 x FilterframeBlack finishing - already installed on the projector (code 02M00422.46)

ACCESSORIES ON REQUEST



03.TA206 • Barndoor black finishing



0509C158 • Outdoor DMX cable
2 x 0.25 mm² - Flame retardant



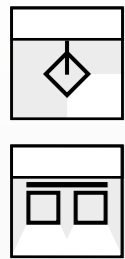
03.LA.206 • DTS firmware uploader dongle



0521A010 • Safety cable - 3 x 600 mm -
max. capacity load 30 Kg (66 lbs)



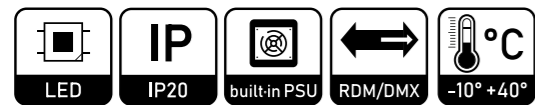
03.LA.235 • Kit track adaptor - black
finishing (Mechanical adaptor + Electrical
adaptor)



SCENA LED 80



FEATURES



CERTIFICATIONS



TREATMENTS

FINITURE

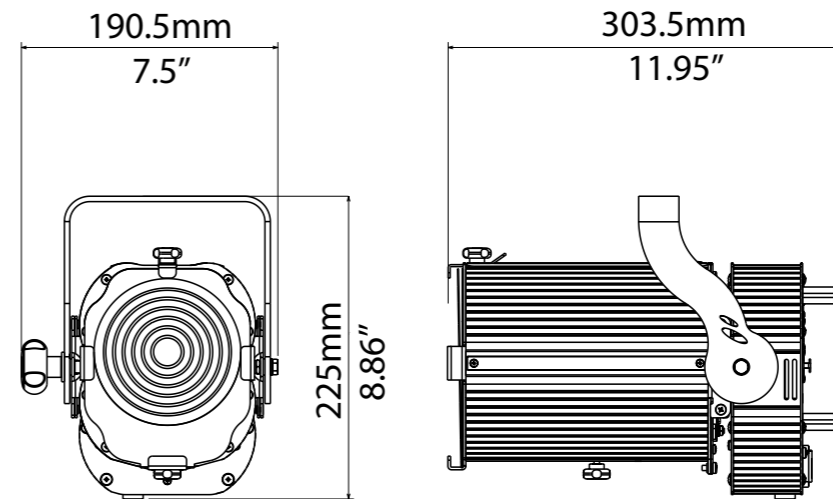
■ BLACK - RAL 9005

LED

TUNABLE WHITE (CT)
WHITE 3000 K
WHITE 4000 K
WHITE 5000 K

SCENA LED 80 CT	03.TS047.46.F
SCENA LED 80 W 3000 K	03.TS031.46.F
SCENA LED 80 W 4000 K	03.TS032.46.F
SCENA LED 80 W 5000 K	03.TS033.46.F

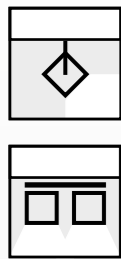
TECHNICAL



	SCENA LED 80 CT	SCENA LED 80 WH
OUTPUT	<ul style="list-style-type: none"> Single white LED with linearly tunable color temperature (2700 K - 6000 K) Lumen output: up to 5,400 CRI >80 	<ul style="list-style-type: none"> Single white LED Lumen output (3000 K): up to 6,923 CRI >90
	<ul style="list-style-type: none"> LED lifespan: 50,000 hours (70% lumen output) 	
OPTICAL GROUP	<ul style="list-style-type: none"> Ø 112 mm Fresnel lens 14° - 77° linear zoom 	
CONTROL	<ul style="list-style-type: none"> DMX 512 / RDM protocols 4-digit 7-segment LED display + 4 soft keys Firmware updatable via DTS firmware uploader dongle 	
DMX	<ul style="list-style-type: none"> 7 DMX channels (default) 2 DMX channels "CTC" mode 	<ul style="list-style-type: none"> 2 DMX channels (default) 3 DMX channels 1 DMX channels
POWER SUPPLY	<ul style="list-style-type: none"> Wide range 100-240Vac 50-60 Hz Consumption: 100 W max Power Factor: PF >0.95 	
CONNECTIONS	<ul style="list-style-type: none"> Power supply: PowerCON In&Out panel connectors DMX: XLR 5-pole In&Out panel connectors 	
CIRCUITS PROTECTION	<ul style="list-style-type: none"> Overvoltage and overtemperature circuits protection 	
PHYSICAL	<ul style="list-style-type: none"> Weight: 4.2 Kg (9.3 lbs) 	
ACCESSORIES INCLUDED	<ul style="list-style-type: none"> 1 x PowerCON female cable connector (code 0520P014) 1 x XLR 5 pins male cable connector (code 0508B028) 1 x XLR 5 pins female cable connector (code 0508B027) 1 x FilterframeBlack finishing - already installed on the projector (code 02M00422.46) 	

ACCESSORIES ON REQUEST

- 03.TA206** • Barndoor black finishing
- 0509C158** • Outdoor DMX cable 2 x 0.25 mm² - Flame retardant
- 03.LA.206** • DTS firmware uploader dongle
- 0521A010** • Safety cable - 3 x 600 mm - max. capacity load 30 Kg (66 lbs)
- 03.LA.235** • Kit track adaptor - black finishing (Mechanical adaptor + Electrical adaptor)



SCENA LED 120



FEATURES



CERTIFICATIONS



TREATMENTS

FINITURE

■ BLACK - RAL 9005

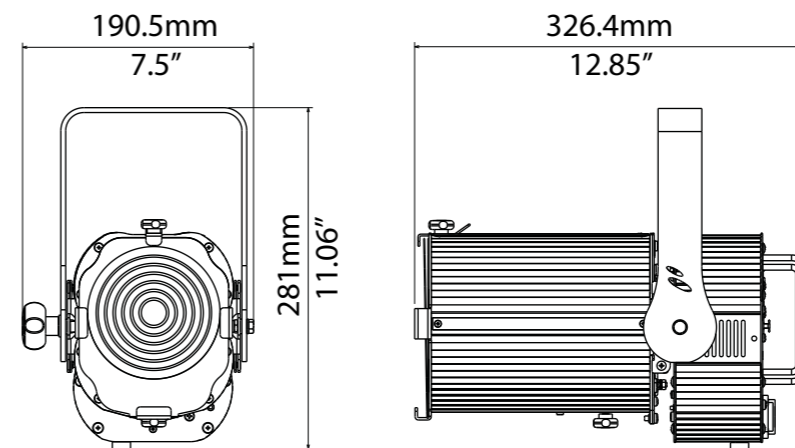
LED

HQS (RGBA)

SCENA LED 120

03.TS081.46.F

TECHNICAL



OUTPUT	• Single 4-color (RGBA) LED
	• Lumen output (RGBA): up to 2,720
	• CRI > 90
	• LED lifespan: 50,000 hours (70% lumen output)
OPTICAL GROUP	• Ø 112 mm Fresnel lens • 20°- 74° linear zoom
DIMMER	• Hi-Q Dimming technology
CONTROL	• DMX 512 / RDM protocols • 4-digit 7-segment LED display + 4 soft keys • Firmware updatable via DTS firmware uploader dongle
DMX	• 10 DMX channels (default) • 4 DMX channels • 6 DMX channels • "Fine" mode • "Prom" mode
POWER SUPPLY	• Wide range 100-240Vac 50-60 Hz
	• Consumption: 120 W max
	• Power Factor: PF >0.95
CONNECTIONS	• Power supply: PowerCON TRUE1 In&Out panel connectors
	• DMX: XLR 5-pole In&Out panel connectors
CIRCUITS PROTECTION	• Overvoltage and overtemperature circuits protection
PHYSICAL	• Weight: 4.5 Kg (9.9 lbs)
ACCESSORIES INCLUDED	• 1 x cable with PowerCON TRUE1 female connector (code 02K0012267.0015) • 1 x FilterframeBlack finishing - already installed on the projector (code 02M00422.46)

ACCESSORIES ON REQUEST



03.TA206 • Barndoor black finishing



0509C158 • Outdoor DMX cable
2 x 0.25 mm² - Flame retardant



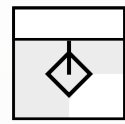
03.LA.206 • DTS firmware uploader dongle



0521A010 • Safety cable - 3 x 600 mm -
max. capacity load 30 Kg (66 lbs)



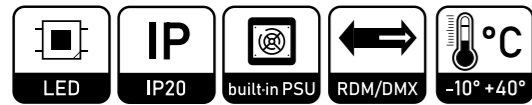
03.LA.235 • Kit track adaptor - black
finishing (Mechanical adaptor + Electrical
adaptor)



SCENA LED 200



FEATURES



CERTIFICATIONS



TREATMENTS

FINITURE

■ BLACK - RAL 9005

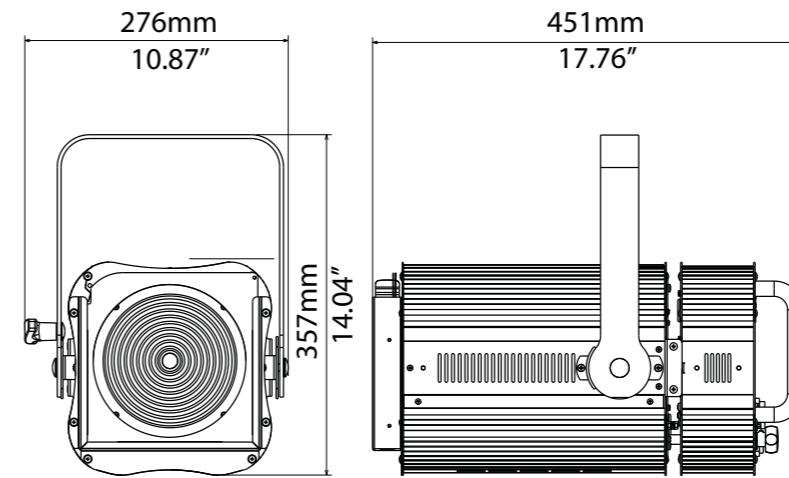
LED

FULL COLOR (RGBW)

SCENA LED 200 FC

03.TS055.46.F

TECHNICAL



OUTPUT	<ul style="list-style-type: none"> • Single high-power 4-colors LED • Lumen output (RGBW): up to 4,975 • Cold White CRI up to 90 • LED lifespan: 50,000 hours (70% lumen output)
OPTICAL GROUP	<ul style="list-style-type: none"> • Ø 150 mm Fresnel lens • 14°- 60° linear zoom
COLOR GENERATION	<ul style="list-style-type: none"> • 28 gel filters macros • Variable linear color temperature (2700 K - 8000 K)
CONTROL	<ul style="list-style-type: none"> • DMX 512 / RDM protocols • 4-digit 7-segment LED display + 4 soft keys • Firmware updatable via DTS firmware uploader dongle
DMX	<ul style="list-style-type: none"> • 10 DMX channels (default) • 4 DMX channels • 6 DMX channels • "Fine" mode
POWER SUPPLY	<ul style="list-style-type: none"> • Wide range 100-240Vac 50-60 Hz • Consumption: 200 W max • Power Factor: PF >0.94
CONNECTIONS	<ul style="list-style-type: none"> • Power supply: PowerCON TRUE1 In/Out panel connectors • DMX: XLR 5-pole In/Out panel connectors
CIRCUITS PROTECTION	<ul style="list-style-type: none"> • Overvoltage and overtemperature circuits protection
PHYSICAL	<ul style="list-style-type: none"> • Weight: 9.4 Kg (20.7 lbs)
ACCESSORIES INCLUDED	<ul style="list-style-type: none"> • 1 x PowerCON TRUE1 female cable connector (code 0520P066) • 1 x XLR 5 pins female cable connector (code 0508B147) • 1 x XLR 5 pins male cable connector (code 0508B148) • 1 x FilterframeBlack finishing - already installed on the projector (code 02M093278.49)

ACCESSORIES ON REQUEST



03.TBD04 • Barndoor black finishing



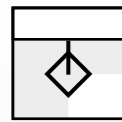
0509C158 • Outdoor DMX cable 2 x 0.25 mm² Flame retardant



03.LA.206 • DTS firmware uploader dongle



0521A010 • Safety cable - 3 x 600 mm - max. capacity load 30 Kg (66 lbs)



SCENA LED 200



FEATURES



CERTIFICATIONS



TREATMENTS

FINITURE

■ BLACK - RAL 9005

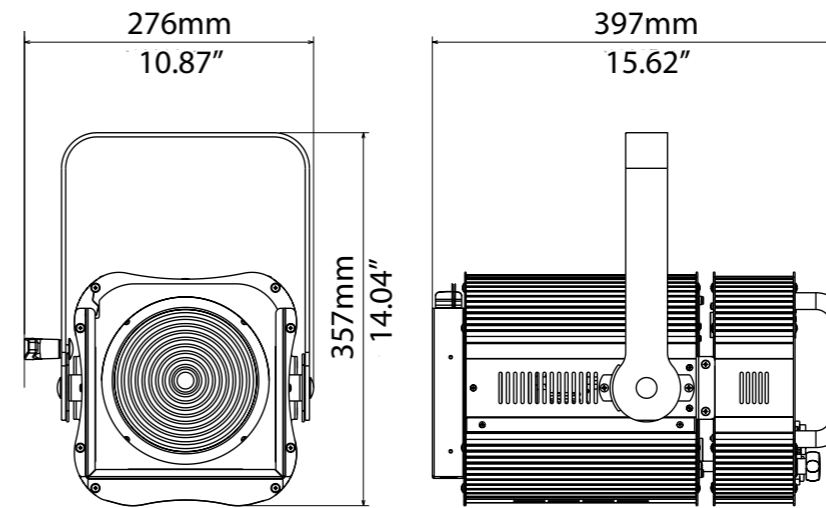
LED

TUNABLE WHITE (CT)
WHITE 3200 K
WHITE 4000 K
WHITE 5600 K

SCENA LED 200 CT
 SCENA LED 200 W 3200 K
 SCENA LED 200 W 4000 K
 SCENA LED 200 W 5600 K

03.TS051.46.F
 03.TS046.46.F
 03.TS048.46.F
 03.TS064.46.F

TECHNICAL



	SCENA LED 200 CT	SCENA LED 200 WH
OUTPUT	<ul style="list-style-type: none"> Single white LED with linearly tunable color temperature (2700 K - 6500 K) Lumen output: up to 5,613 CRI up to 90 	<ul style="list-style-type: none"> Single white LED Lumen output (3200 K): up to 5,950 CRI >95
	• LED lifespan: 50,000 hours (70% lumen output)	
OPTICAL GROUP	<ul style="list-style-type: none"> Ø 150 mm Fresnel lens 6.5° - 70° linear zoom 	
CONTROL	<ul style="list-style-type: none"> DMX 512 / RDM protocols 4-digit 7-segment LED display + 4 soft keys Firmware updatable via DTS firmware uploader dongle 	
DMX	<ul style="list-style-type: none"> 7 DMX channels (default) 2 DMX channels "CTC" mode 	<ul style="list-style-type: none"> 4 DMX channels (default) 1 DMX channels "Fine" mode
POWER SUPPLY	<ul style="list-style-type: none"> Wide range 100-240Vac 50-60 Hz Consumption: 200 W max Power Factor: PF >0.94 	
CONNECTIONS	<ul style="list-style-type: none"> Power supply: PowerCON TRUE1 In/Out panel connectors DMX: XLR 5-pole In/Out panel connectors 	
CIRCUITS PROTECTION	• Overvoltage and overtemperature circuits protection	
PHYSICAL	• Weight: 8.6 Kg (21 lbs)	• Weight: 8.5 Kg (18.5 lbs)
ACCESSORIES INCLUDED	<ul style="list-style-type: none"> 1 x PowerCON TRUE1 female cable connector (code 0520P066) 1 x XLR 5 pins female cable connector (code 0508B147) 1 x XLR 5 pins male cable connector (code 0508B148) 1 x FilterframeBlack finishing - already installed on the projector (code 02M093278.49) 	

ACCESSORIES ON REQUEST



03.TBD04 • Barndoor black finishing



0509C158 • Outdoor DMX cable 2 x 0.25 mm² Flame retardant



03.LA.206 • DTS firmware uploader dongle



0521A010 • Safety cable - 3 x 600 mm - max. capacity load 30 Kg (66 lbs)

CEILING MOVING HEADS

TESTE MOBILI AD INCASSO



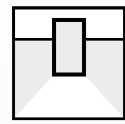
DTS' CEILING MOVING HEADS are multifunctional projectors created to provide the interior design projects with the same lighting quality that is essential in the entertainment industry.

This product range represents the perfect balance between the two markets, offering solutions that pragmatically adapt the creative lighting requested by the musical events to the versatility needed in indoor spaces.

Thanks to the "Silent" mode, the ceiling moving heads are ideal for ballrooms, convention rooms and large venues in the hotellerie industry.

Le TESTE MOBILI AD INCASSO sono proiettori multifunzione nati dalla volontà di trasferire nel mondo dell'interior design, la qualità illuminotecnica indispensabile nel settore dell'intrattenimento. I prodotti di questa linea infatti rappresentano la perfetta armonia tra i due mondi, offrendo soluzioni che adattano pragmaticamente la creatività dell'illuminazione dei grandi eventi musicali, con la versatilità degli spazi interni.

Grazie alla funzionalità "Silent" le Teste mobili ad incasso sono ideali per sale da ballo, convention room e ampi spazi nel comparto dell'hotellerie.



ALCHEMY 3 CEILING



FEATURES



CERTIFICATIONS



TREATMENTS

FINITURE

<input type="checkbox"/> WHITE - RAL 9003	03

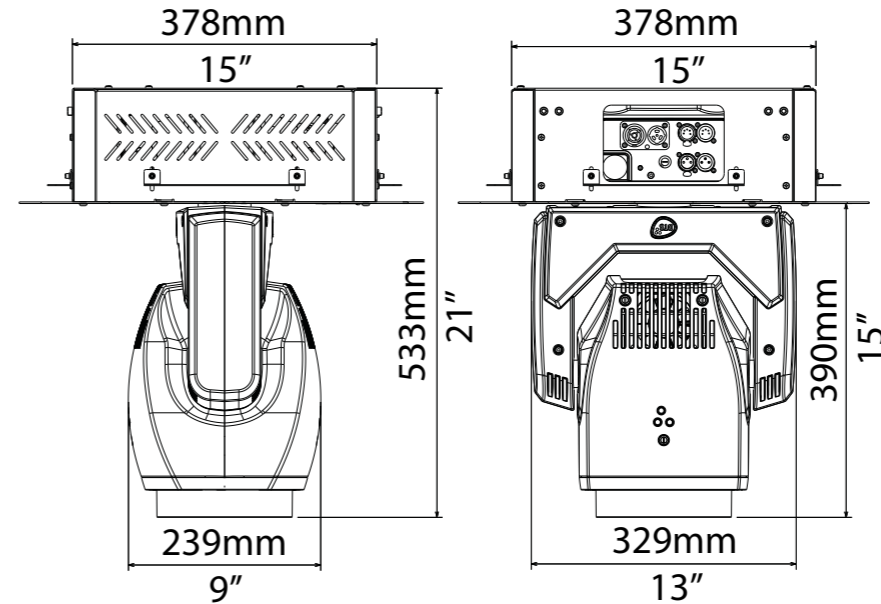
LED

HQS (RGBACL)	11

ALCHEMY 3 CEILING

03.MW011.03.T

TECHNICAL



OUTPUT	<ul style="list-style-type: none"> Multi-chip LED source CRI: up to 98 TLCI: up to 96 LED lifespan: 20,000 hours (70% lumen output) 	DMX	<ul style="list-style-type: none"> 5 DMX modes: <ul style="list-style-type: none"> 1. CCT (default) 2. Advanced 3. Basic 4. Expo 5. CMY Emulation
OPTICAL GROUP	<ul style="list-style-type: none"> 14.1° - 45.2° linear zoom Ø 175 mm Fresnel lens Beam shaper (2x1 ratio) with endless rotation; indexable Heavy frost filter insertable via DMX Retractable 'top hat' 	CONTROL	<ul style="list-style-type: none"> LCD graphic display + 4 soft-keys; Auto-flip; Key-Lock function RDM / DMX 512 protocols Art-Net 4, sACN protocols available on request Wireless DMX available on request 'Standard' and 'Silent' operation modes Firmware updatable via DTS firmware uploader dongle Li-Fe backup battery for controlling the display settings even when the unit is not powered
COLOR & WHITE GENERATION	<ul style="list-style-type: none"> 6-color LED engine Linear CCT (1800 K - 10000 K) Linear 'Green saturation' 100 gel filters emulation: <ul style="list-style-type: none"> Linear balance from gel filters emulation to white Linear balance between gel filters emulation True color of gel filters emulation at any CCT values Color mixing by 6-color 'advanced' mode Deep blue and Deep red filters (DMX-selectable) 	POWER SUPPLY	<ul style="list-style-type: none"> Electronic wide range 100/240 Vac 50-60 Hz Consumption: 300 W max Power Factor: PF >0.94
DIMMER	<ul style="list-style-type: none"> Hi-Q Dimming technology Tungsten Emulation function 	CONNECTIONS	<ul style="list-style-type: none"> DMX: XLR 3-pole and 5-pole In/Out panel connectors Power supply: PowerCON TRUE1 In/Out panel connectors
PAN & TILT	<ul style="list-style-type: none"> Pan 540° (1.8 sec) Tilt 215° (1.1 sec) 16-bit resolution 	CIRCUITS PROTECTION	<ul style="list-style-type: none"> Overvoltage and overtemperature circuits protection
		PHYSICAL	<ul style="list-style-type: none"> Weight: 21.5 Kg (47.4 lbs)
		ACCESSORIES INCLUDED	<ul style="list-style-type: none"> 1 x cable with PowerCON TRUE1 female connector (code 02K0012267.0015)

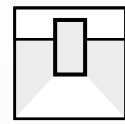
ACCESSORIES ON REQUEST



03.LA.206 • DTS firmware uploader dongle



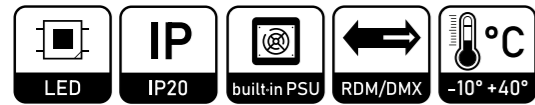
0514W017 • Wireless DMX



EUPHONY 3 CEILING



FEATURES



CERTIFICATIONS



TREATMENTS

FINITURE

<input type="checkbox"/> WHITE - RAL 9003	03

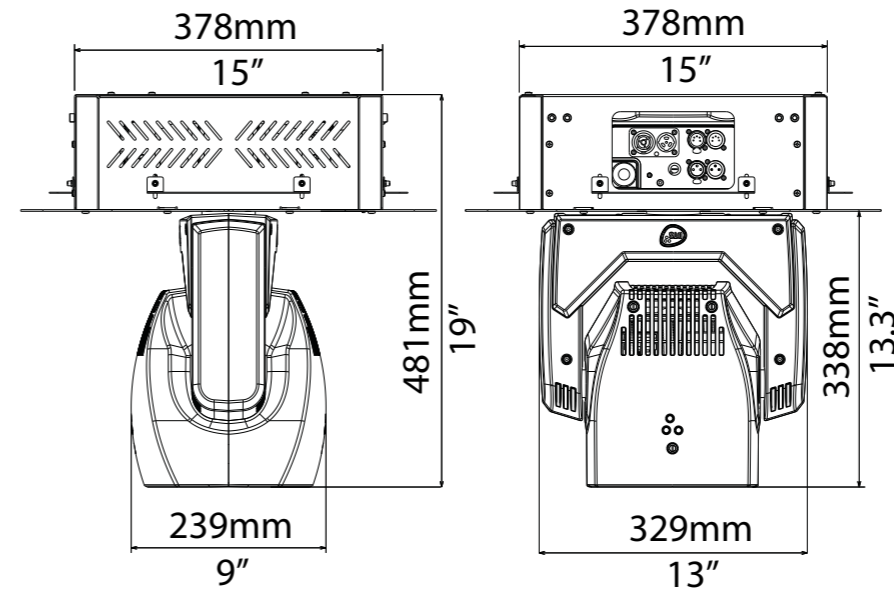
LED

FULL COLOR (RGBW)	21

EUPHONY 3 CEILING

03.LDR021.03.T

TECHNICAL



OUTPUT	<ul style="list-style-type: none"> • 7 x 60 W Full Color (RGBW) LEDs • Lumen output: 7,500 • LED lifespan: 50,000 hours (70% lumen output) 	CONTROL	<ul style="list-style-type: none"> • LCD graphic display + 4 soft-keys; Auto-flip; Key-Lock function • RDM / DMX 512 protocols • Wireless DMX available on request • 'Standard' and 'Silent' operation modes • Firmware updatable via DTS firmware uploader dongle • Li-Fe backup battery for controlling the display settings even when the unit is not powered
OPTICAL GROUP	<ul style="list-style-type: none"> • 5.6°- 69° linear motorized zoom with high-efficiency optical system • Soft frost filter included • Uniform projection on surfaces, from very wide Wash to PC Beam 	POWER SUPPLY	<ul style="list-style-type: none"> • Electronic wide range 100-240 Vac 50-60 Hz • Consumption: 420 W max • Power Factor: PF >0.94
COLOR GENERATION	<ul style="list-style-type: none"> • 16 million colors • Wide palette of pure uniform whites • Variable linear color temperature (2700K - 8000K) • 16 gel filter emulations by 'Standard' DMX mode 	CONNECTIONS	<ul style="list-style-type: none"> • DMX: XLR 3-pole and 5-pole In/Out panel connectors • Power supply: PowerCON TRUE1 In/Out panel connectors
DIMMER	<ul style="list-style-type: none"> • Hi-Q Dimming technology 	CIRCUITS PROTECTION	<ul style="list-style-type: none"> • Overvoltage and overtemperature circuits protection
PAN & TILT	<ul style="list-style-type: none"> • Pan 540° (1.8 sec) • Tilt 215° (1 sec) • 16-bit resolution 	PHYSICAL	<ul style="list-style-type: none"> • Weight: 20 Kg (44.1 lbs)
DMX	<ul style="list-style-type: none"> • 2 DMX modes: <ul style="list-style-type: none"> - 1. Standard - 18 channels (default) - 2. Compatibility - 20 channels 	ACCESSORIES INCLUDED	<ul style="list-style-type: none"> • 1 x Cable with PowerCON TRUE1 female connector (code 02K0012267.0015) • 1 x Soft frost filter (code 02SK0472)

ACCESSORIES ON REQUEST



03.LA.206 • DTS firmware uploader dongle



0514W017 • Wireless DMX



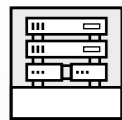
DRIVENET SERIES

LINEA DRIVENET

DRIVENET is a line of digital power supplies and controllers for large networks of LED projectors. Designed to supply, control and monitor LED networks centrally and remotely (at a distance of up to 100 meters), Drivenet units offer total flexibility and absolute reliability. They can be easily networked and centrally managed via the ArtNet protocol over a LAN, allowing the electricity and voltage of the connected projectors to be monitored via a built-in touch screen.

With a range of 10 different models to choose from, Drivenet provides effective solutions tailored to the most complex and demanding lighting installations, whether indoors, outdoors or underwater.

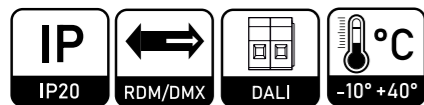
DRIVENET è la gamma di alimentatori digitali e controller progettati per monitorare grandi e medie reti di proiettori LED, centralmente e da remoto (a una distanza fino a 100 metri). Le unità Drivenet offrono una flessibilità totale e un'affidabilità assoluta. Possono essere facilmente collegati in rete e gestiti centralmente con protocollo ArtNet tramite una LAN, consentendo il monitoraggio della corrente e della tensione dei proiettori collegati tramite un touch screen integrato. Con una gamma di 10 modelli diversi tra cui scegliere, Drivenet offre soluzioni efficaci su misura per le installazioni di illuminazione più complesse ed esigenti.



DRIVENET 28C DIN 2.0



FEATURES

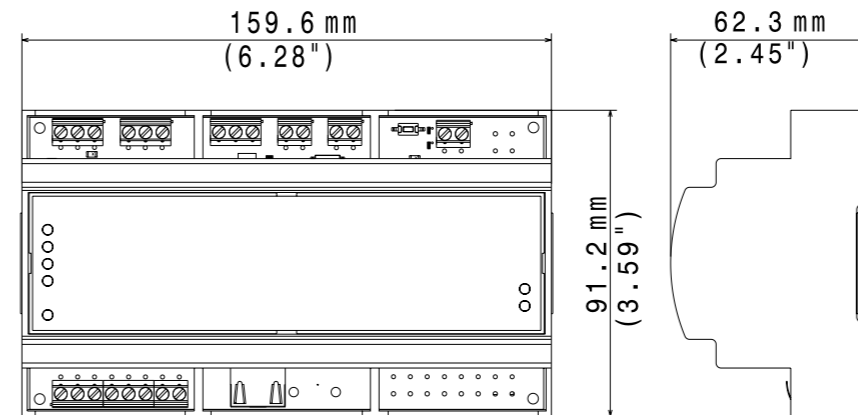


CERTIFICATIONS



OPTIONAL

TECHNICAL



ACCESSORIES ON REQUEST



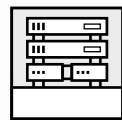
0502T094 • 240 W 48Vdc PSU; DIN rail wide range voltage input



0502T030.1 • 120 W 24Vdc PSU; DIN rail wide range voltage input

INPUT VOLTAGE	2 Input - 12 to 56 Vdc <i>For example</i> 1 x 240 W 48Vdc PSU 2 x 120 W 24Vdc PSU
OUTPUT CHANNELS	• 8 (4 channels x 2 groups)
OUTPUT VOLTAGE	• 48Vdc or 24Vdc*
OUTPUT CURRENT	• 700mA Max per channel
CONNECTIONS	• Screw terminal / RJ45 connectors
DISPLAY	• 4-digit 7-segment LED display + 4 soft keys
DIN MODULES	• 9 DIN modules
PHYSICAL	• Weight 0.3 kg (0.67 lbs)

* Depends on PSU model



DRIVENET



FEATURES



CERTIFICATIONS



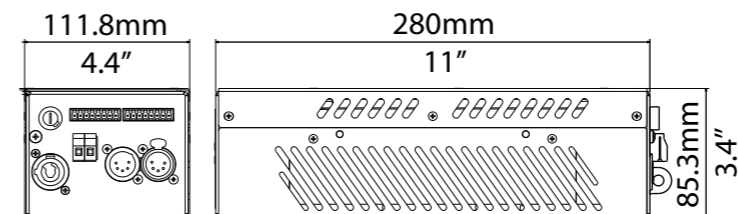
OPTIONAL



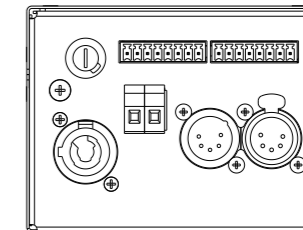
DRIVENET 28 EZ	03.LA.228
DRIVENET 416	03.LA.196
DRIVENET 832	03.LA.177
DRIVENET 1664	03.LA.198
DRIVENET 832 24VDC	03.LA.177.V2
DRIVENET 1664 24VDC	03.LA.195
DRIVENET 416 POWER	03.LA.191
DRIVENET 832 POWER	03.LA.184
DRIVENET 832 POWER 24VDC	03.LA.184.V2

TECHNICAL

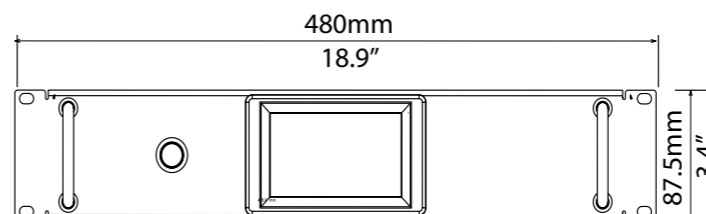
DRIVENET <2U RACK



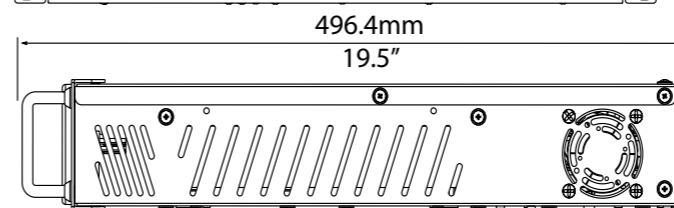
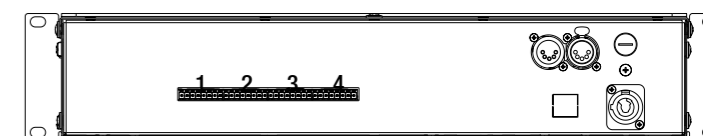
DRIVENET 28 EZ



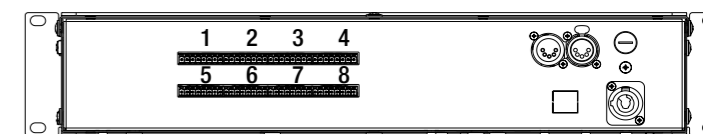
DRIVENET 2U RACK



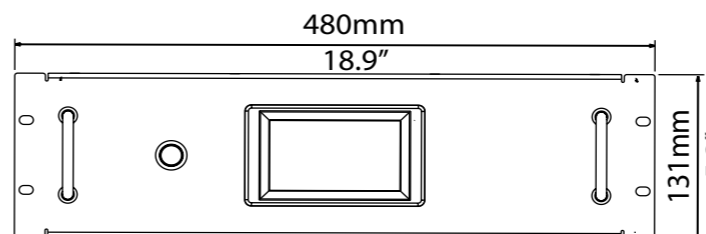
DRIVENET 416 POWER DRIVENET 416



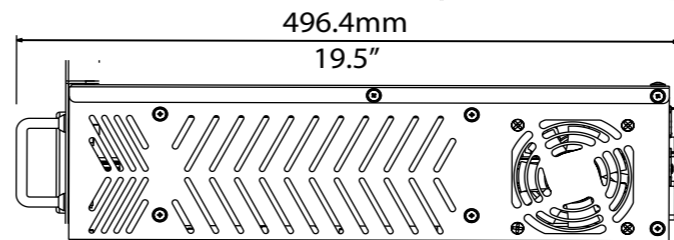
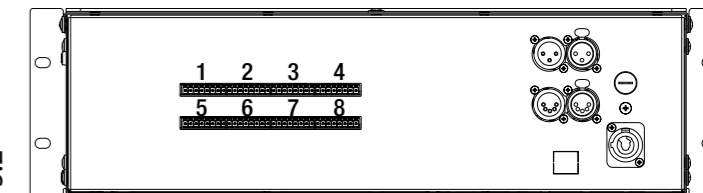
DRIVENET 832 24V DRIVENET 832



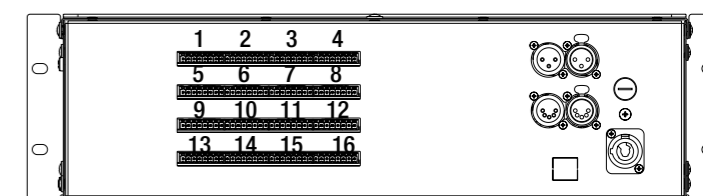
DRIVENET 3U RACK



DRIVENET 832 POWER DRIVENET 832 POWER 24V




DRIVENET 1664 24V DRIVENET 1664



	DRIVENET 28 EZ	DRIVENET 416	DRIVENET 832	DRIVENET 1664
ITEM CODE	03.LA.228	03.LA.196	03.LA.177	03.LA.198
INPUT VOLTAGE/FREQUENCY RANGE	100-240Vac 50-60 Hz	100-240Vac 50-60 Hz	100-240Vac 50-60 Hz	180-240Vac 50-60 Hz*
POWER FACTOR	PF >0.94	PF >0.95	PF >0.95	PF >0.95
OUTPUT CHANNELS	8 (4 channels x 2 groups)	16 (4 channels x 4 groups)	32 (4 channels x 8 groups)	64 (4 channels x 16 groups)
OUTPUT VOLTAGE	48Vdc	48Vdc	48Vdc	48Vdc
OUTPUT CURRENT	700mA max (per channel)	700mA max (per channel)	700mA max (per channel)	700mA max (per channel)
MAX POWER	280W @ 180-240Vac 50-60 Hz 200W @ 90-130Vac 50-60 Hz	600W	1200W	2200W
OUTPUT CONNECTIONS	Screw terminal connectors	Screw terminal connectors	Screw terminal connectors	Screw terminal connectors
MAINS CONNECTIONS	PowerCON male panel connector	PowerCON male panel connector	PowerCON male panel connector	PowerCON male panel connector
DMX CONNECTIONS	XLR 5-pole In/Out panel connectors	XLR 5-pole In/Out panel connectors	XLR 5-pole In/Out panel connectors	XLR 5-pole In/OUT and XLR 3-pole In/OUT panel connectors
DISPLAY	4-digit 7-segment LED display	Touch-screen color display	Touch-screen color display	Touch-screen color display
DMX	Available	Available	Available	Available
RDM	Available	Available	Available	Available
ART-NET	Not Available	Optional	Optional	Optional
DALi	Available	Not available	Not available	Not available
RACK UNITS	< 2U	2U	2U	3U
WEIGHT	2 Kg (4.4 lbs)	6.9 Kg (15.2 lbs)	6.9 Kg (15.2 lbs)	11.4 Kg (25.1 lbs)
ACCESSORIES INCLUDED	<ul style="list-style-type: none"> • 8 pins screw terminals connector (already plugged on the unit) (code 0508B084) *Quantity is based on the outputs number • 1 x XLR 5 pins female cable connector (code 0508B065) • 1 x XLR 5 pins male cable connector (code 0508B066) • 1 x PowerCON female cable connector (code 0520P014) 			

* Voltage not compatible in: USA, Canada, Mexico, Venezuela, Colombia, Ecuador, Central America and Caribbean area, Japan, Taiwan, Libia.

DRIVENET 832 24VDC	DRIVENET 1664 24VDC	DRIVENET 416 POWER	DRIVENET 832 POWER	DRIVENET 832 POWER 24VDC
03.LA.177.V2	03.LA.195	03.LA.191	03.LA.184	03.LA.184.V2
100-240Vac 50-60 Hz	100-240Vac 50-60 Hz	100-240Vac 50-60 Hz	180-240Vac 50-60 Hz*	100-240Vac 50-60 Hz
PF >0.95	PF >0.95	PF >0.95	PF >0.95	PF >0.95
32 (4 channels x 8 groups)	64 (4 channels x 16 groups)	16 (4 channels x 4 groups)	32 (4 channels x 8 groups)	32 (4 channels x 8 groups)
24Vdc	24Vdc	48Vdc	48Vdc	24Vdc
700mA max (per channel)	700mA max (per channel)	1600mA max (per channel)	1600mA max (per channel)	1600mA max (per channel)
600W	1100W	1200W	2400W	1200W
Screw terminal connectors	Screw terminal connectors	Screw terminal connectors	Screw terminal connectors	Screw terminal connectors
PowerCON male panel connector	PowerCON male panel connector	PowerCON male panel connector	PowerCON male panel connector	PowerCON male panel connector
XLR 5-pole In/Out panel connectors	XLR 5-pole In/OUT and XLR 3-pole In/OUT panel connectors	XLR 5-pole In/Out panel connectors	XLR 5-pole In/OUT and XLR 3-pole In/OUT panel connectors	XLR 5-pole In/OUT and XLR 3-pole In/OUT panel connectors
Touch-screen color display	Touch-screen color display	Touch-screen color display	Touch-screen color display	Touch-screen color display
Available	Available	Available	Available	Available
Available	Available	Available	Available	Available
Optional	Optional	Optional	Optional	Optional
Not available	Not available	Not available	Not available	Not available
2U	3U	2U	3U	3U
6.9 Kg (15.2 lbs)	11.4 Kg (25.1 lbs)	6.9 Kg (15.2 lbs)	13.8 Kg (30.4 lbs)	13.8 Kg (30.4 lbs)
<ul style="list-style-type: none"> • 8 pins screw terminals connector (already installed on the unit) (code 0508B084) *Quantity is based on the of the outputs number • 1 x XLR 5 pins female cable connector (code 0508B065) • 1 x XLR 5 pins male cable connector (code 0508B066) • 1 x PowerCON female cable connector (code 0520P014) 				



BESPOKE SECTION

SEZIONE BESPOKE

The ancient Italian tradition of skilled craftsmanship is alive and well. In fashion and design, in art and architecture as well as in professional lighting, there is always attention to detail. Part of DTS' core business consists in understanding the needs of the professionals meeting their needs with tailored materials, lines and colors for radiant results.

DTS are, in fact, at the service of design art: when needs change and the market demands new answers, the company is ready to give life to new products. The strength of DTS is precisely to be able to respond to these unexpected needs, challenging the most demanding projects and finding the right solutions.

The Bespoke category is an example of a design created on detailed requests and needs expressed by customers who are looking for customized solutions.

L'antica tradizione italiana dell'artigianato qualificato è viva ancora oggi, nella moda e nel design, nell'arte e nell'architettura e nell'illuminazione professionale. L'attenzione al dettaglio e la comprensione delle necessità dei professionisti del settore è arte del core business di DTS.

Quando un progetto illuminotecnico non trova risposte, DTS si pone al servizio dei propri clienti quale partner affidabile e competente. Grazie alla quarantennale esperienza nel mondo dell'illuminazione e la possibilità di controllare l'intera filiera produttiva, DTS è in grado di rispondere a inaspettate esigenze, sfidando le progettazioni più esigenti e trovando le giuste risposte. La categoria

Bespoke vuole essere un esempio di progettazioni realizzate su richieste dettagliate ed esigenze espresse dai nostri clienti e che hanno dato vita a soluzioni personalizzate.

BRICK ARC 24

- Lumen output (RGBW): 5,800 @ 700mA
- Power consumption: 240 W max
- Dimensions (LxHxP): 439x249x147 mm

IP65 remote PSU ACC

MINI BRICK ARC 12

- Lumen output (RGBW): 3,900 @ 700mA
- Power consumption: 120 W max
- Dimensions (LxHxP): 294x249x147 mm

IP65 remote PSU ACC

PIXEL DROP (M30 - M10 - UPLIGHT)

- Lumen output (RGBW): 270 @ 700mA
- Power consumption: 10 W max
- Dimensions (ØxP) M10: 46.3x45mm
- Dimensions (ØxP) Uplight: 67.5x40 mm

IP65 remote PSU

PIXEL DROP.D 1 (M30 - M10 - UPLIGHT)

- Lumen output (RGBW): 270 @ 700mA
- Power consumption: 10 W max
- Dimensions (ØxP) M30: 62x111 mm
- Dimensions (ØxP) M10: 62x79.3 mm
- Dimensions (ØxP) Uplight: 80x96 mm

IP65 built-in DRV

FOCUS 9 WH

- Lumen output (4000 K): 1,170 @ 700mA
- Power consumption: 18 W max
- Dimensions (LxHxP): 176x166x75 mm

IP65 remote PSU -10° +40°

HELIOS 1

- Lumen output (RGBW): 420 @ 700mA
- Power consumption: 10 W max
- Dimensions (ØxP): 75x66.3 mm

IP65 remote PSU -10° +40°

PIXEL DROP 3 (M30 - M10 - UPLIGHT)

- Lumen output (RGBW): 800 @ 700mA
- Power consumption: 30 W max
- Dimensions (ØxP) M30: 62x111 mm
- Dimensions (ØxP) M10: 62x79.3 mm
- Dimensions (ØxP) Uplight: 80x96 mm

IP65 remote PSU

TILE 4

- Lumen output (RGBW): 1,143 @ 500mA
- Lumen output (4000 K): 2,300 @ 500mA
- Power consumption: 28 W max
- Dimensions (LxHxP): 134.2x101x107.5 mm

IP65 remote PSU -10° +40°

HELIOS.D 1

- Lumen output (RGBW): 1,288 @ 700mA
- Power consumption: 30 W max
- Dimensions (ØxP): 125x78 mm

IP65 built-in DRV -10° +40°

HELIOS 3

- Lumen output (RGBW): 1,288 @ 700mA
- Power consumption: 30 W max
- Dimensions (ØxP): 125x78 mm

IP65 remote PSU -10° +40°

DIVE 9 WH

- Lumen output (4000 K): 1,750 @ 700mA
- Power consumption: 20 W max
- Dimensions (ØxP): 174x128 mm

IP68 remote PSU -20° +40°

DIVE.D 3

- Lumen output (RGBW): 1,288 @ 700mA
- Power consumption: 30 W max
- Dimensions (LxHxP): 92x102x89 mm

IP68 built-in DRV -20° +40°

HELIOS KUBE 12

- Lumen output (4000 K): 1,560 @ 700mA
- Power consumption: 24 W max
- Dimensions (ØxP): 300x88 mm

IP65 remote PSU -10° +40°

HELIOS 36 WH

- Lumen output (4000 K): 3,960 @ 500mA
- Power consumption: 55 W max
- Dimensions (LxHxP): 134.2x101x107.5 mm

IP65 remote PSU -10° +40°

AKHELIOS.D 3

- Lumen output (RGBW): 1,288 @ 700mA
- Power consumption: 30 W max
- Dimensions (ØxP): 140x84 mm

IP68 built-in DRV -20° +40°

AKHELIOS 9 WH

- Lumen output (4000 K): 1,750 @ 700mA
- Power consumption: 20 W max
- Dimensions (ØxP): 200x85mm

IP68 remote PSU -20° +40°

CHROME 1 UPLIGHT

- Lumen output (RGBW): 420 @ 700mA
- Lumen output (4000 K): 800 @ 700mA
- Power consumption: 10 W max
- Dimensions (ØxP): 75x83.5 mm

IP65 remote PSU -10° +40°

CHROME 1 BRACKET

- Lumen output (RGBW): 420 @ 700mA
- Lumen output (4000 K): 800 @ 700mA
- Power consumption: 10 W max
- Dimensions (LxHxP): 58x83.4x83.5 mm

IP65 remote PSU -10° +40°

ARTEMIO FRESNEL

- Lumen output (4000 K): 1,830 @ 700mA
- Power consumption: 25 W max
- Dimensions (LxHxP): 201.3x157.4x110 mm

IP20 remote PSU -10° +40°

ARTEMIO PROFILE

- Lumen output (4000 K): 1,830 @ 700mA
- Power consumption: 25 W max
- Dimensions (LxHxP): 250.7x156.1x110 mm

IP20 remote PSU -10° +40°

PATH 1 WALL WH

- Lumen output (3000 K): 203 @ 700mA
- Power consumption: 2 W max
- Dimensions (ØxP): 40x63.6 mm

IP65 remote PSU -10° +40°

PATH 1 MARKER WH

- Lumen output (3000 K): 203 @ 700mA
- Power consumption: 2 W max
- Dimensions (ØxP): 40x63.6 mm

IP65 remote PSU -10° +40°

SCIMITAR SERIES

- Output: 4-color LED x 12/24/36/48/60
- Consumo: 8.50W/16.5W/24W/32W/40.5W
- Ottica: Direct view 130° Radius diffused 160° / Round diffused 165° Flat diffused 160°

IP67 remote PSU -40° +50°

POWER-U 320 / 500 / 1000 / 2000

- Input voltage/Frequency range: 90-264Vac 50-60 Hz
- Output voltage: 48Vdc

IP20 RDM/DMX -25° +50°