

SOPRANO 1 HDW

Thanks, its multi-chip source technology, the Soprano 1 HDW offers superior light quality, both white with an optimal Colour Rendering Index of 98, Television Lighting Consistency Index of 96 and saturated colours palette with 100 gel filter presets.

The Soprano 1 HDW is part of the DTS product family with 6-color LED-Multi-chip source together with its bigger brothers Soprano 3 e 5 HDW, the Tenore 3 and 5 HDW family and the Alchemy series.

These products are calibrated one by one with a sophisticated calibration software owned by DTS, reaching very high levels of colour homogeneity and consistency, characteristics that every Light Designer or Director of Photography would like to have.

With its sleek and compact design with only 8,2 kg, the Soprano 1 HDW projector is perfect for any space, whether it be a small meeting room or a large auditorium. Its advanced features and superior light quality make it the ideal choice for professional installations where performance and reliability are paramount.

Overall, the Soprano 1 HDW sets the standard for quality and performance in the world of Ellipsoidal Lights Technology, making it a top choice for Theatre, Auditorium, Conference Hall, TV studio and Virtual Production Sets.

The Soprano 1 HDW, is an ideal choice for anyone who needs a powerful, flexible and high-quality light source. With its high performance and reliability, it is a product that will certainly satisfy the most demanding needs of the professional lighting sector.

Thanks to the advanced technology and the quality of the materials used, the Soprano 1 HDW is a resistant and reliable product, capable of guaranteeing excellent performance over time. Furthermore, its compact and lightweight design makes it easy to transport and install, allowing it to be adapted to different lighting needs.

Last but not least, it is completely designed and assembled in Italy, in the DTS production factory in the province of Rimini.



APPLICATIONS

Theatre, TV studio, Virtual Production, Auditorium, Conference Hall, Theme Parks and Places of Worship.

FEATURES



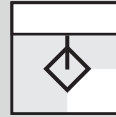
CERTIFICATIONS



FINITURES



SOPRANO 1 HDW Rev. 01.2025

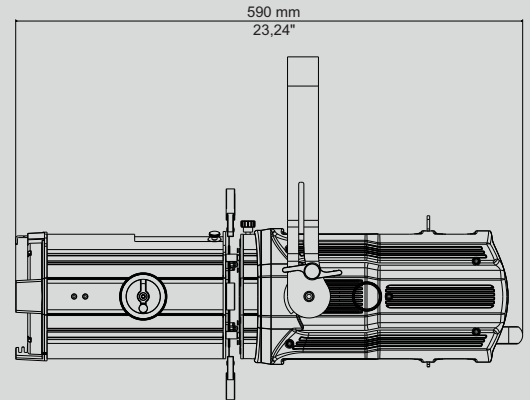
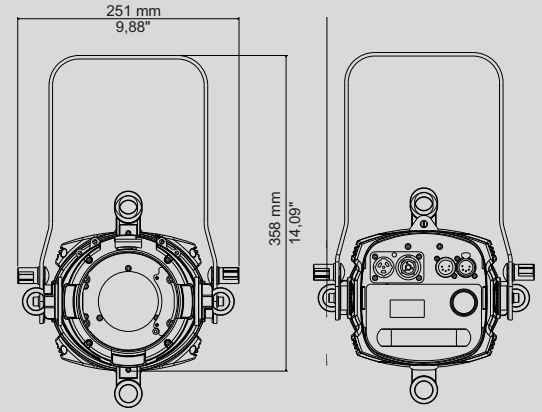


PROFILE
BRACKET INSTALLATION
TUNABLE WHITE



FAMILY

SOPRANO	1	3	5
HQS			
HDW	●		
WH			



SKILLS

The Soprano 1 HDW offers a powerful concentrated light with a uniform and regular distribution.

Its rotatable optical system offers a zoom range of 18° to 34°, which can be extended at 25° to 46° with an optional accessory, allowing quick adjustments without changing the setup.

3350 Lumens output with less Power Consumption, only 135 W.

High Quality of Light: CRI 98 and TLCI 96

Graphic display and Jog Shuttle encoder for easy and intuitive navigation within the menu.



CODE

03.TSP201. 49 BLACK
65 WHITE



TECHNICAL DATA

OUTPUT

- Multi chip Led Source
- Lumens output: 3000 (Zoom Range 18°-34°)
- Lumens output: 3350 (Zoom Range 25°-46°)
- CRI: up to 98
- TLCI: up to 96
- LED Lifespan: 50000 hours (L70B10)

OPTICAL GROUP

18°-34° linear zoom
with third additional optic is mounted 25°-46° linear zoom

Note: Additional lens (03.TA238) is sold separately

FRAMING SYSTEM

- Framing system composed of 4 symmetric blades
- Blades operate on three discrete planes
- 90° full system rotation (+/- 45°)
The blades are integral with the light clusters
The blades are not removable

GOBOS

- Gobo tipo D
- Ø external (OD) = 53,3 mm +0,2/-0,2 mm
 - Ø of image (ID) = 40 mm
 - Thickness = from 0,2 to 1,5 mm

WHITE GENERATION

- 6-color LED engine
- Linear CCT (1800 K - 10000 K)
- Linear 'Green saturation'

DIMMER

- 'Hi-Q Dimming' technology – guarantees a perfect linearity in the increase / attenuation of brightness of multi-chip LED sources, even at low dimming levels, without visible 'steps' between adjacent values
- Tungsten emulation - CCT variation emulates behavior of Halo-lamps

CONTROL

- LCD graphic display + Jog Shuttle
- RDM/DMX 512 protocols
- 'Standard', 'Silent', 'Ultra Silent' and 'Automatic' fan modes Noise level

- Standard: 23dBA @ 1m (normal operation, 100% power)
- Silent: 22dBA @ 1m (normal operation, 100% power)
- Ultra Silent: 21dBA @ 1m (normal operation, 90% power)
- Automatic: fans adapt to operational status (output power priority)
- Firmware updatable via DTS firmware uploader dongle

DMX

- 2 DMX modes:
- CCT (Default) - Correlated Color Temperature
- Basic - Dimmer 8 bit with Correlated color Temperature control

POWER SUPPLY

- Wide range 100/240 Vac 50-60 Hz
- Power consumption: 135 W max / 230Vac
- Power Factor: PF >0.94

CONNECTIONS

- DMX: XLR 5 pole In/Out panel connectors
- Power supply: PowerCON TRUE1 In/Out panel connectors

CIRCUITS PROTECTIONS

Overvoltage and overtemperature circuits protection

TEMPERATURE

- Operating: -10° +45°
- Storage: -20° +60°

PHYSICAL

- Weight:
- Soprano 1: 8,2 Kg
- Additional third lens 03.TA238: 0.3 Kg (0.7lbs)
- Finishing: Black - White
- IP rating: IP20

TEST AND CERTIFICATION

- CE

ACCESSORIES

INCLUDED

- 1x PowerCON TRUE1 female cable connector (code 0520P066)
- 1x XLR 5 pins female cable connector (code 0508B147)
- 1x XLR 5 pins male cable connector (code 0508B148)
- 1x Filter frame Black finishing - already installed on the projector (code 02M093600.49)

ON REQUEST

- 25-46° Zoom additional optic (code 03.TA238)
- Gobo2/Frost Holder (code 03.TA237)
- Gobo/Soft Edge Holder (code 03.TA239)
- Iris/Diaphragm (code 03.TA240)
- Barndoor 4 leaf Black finishing (code 03.TBD10.49)
- Outdoor DMX cable 2 x 0,25 mm2 - Flame retardant (code 0509C158)
- Aliscaf clamp for Ø 48-51 mm tube-max load 100 Kg 8code 0521A033)
- Professional G-QUICK clamp - max load 100 Kg (code 0521A037)
- Safety cable 3 x 600 mm - BGV-C1 certified (code 0521A049)
- Single stranded: Max 20 Kg (44 lbs)
- Double stranded: Max 30 Kg (66 lbs)
- Safety cable for Barndoor / Filterframe - Ø 0,8mm (code 0521A048)
- DTS firmware uploader dongle (code 03.LA.206)

ADDITIONAL OPTIC



PHOTOMETRIC DATA

SOPRANO 1 HDW	mt 2	mt 4	mt 6	mt 8	mt 10	
ZOOM MIN. Beam Angle 18°	9000	2250	1000	563	360	lux center (lx)
	836	209	93	52	33	foot candles (fc)
	63	127	190	253	317	diameter (cm)
	2,08	4,16	6,24	8,31	10,39	diameter (ft)

SOPRANO 1 HDW	mt 2	mt 4	mt 6	mt 8	mt 10	
ZOOM MAX. Beam Angle 34°	3240	810	360	203	130	lux center (lx)
	301	75	33	19	12	foot candles (fc)
	122	245	367	489	611	diameter (cm)
	4,01	8,02	12,04	16,05	20,06	diameter (ft)

SOPRANO 1 HDW	mt 2	mt 4	mt 6	mt 8	mt 10	
with additional optic 25-46° ZOOM MIN 25°	5000	1250	556	313	200	lux center (lx)
	465	116	52	29	19	foot candles (fc)
	89	177	266	355	443	diameter (cm)
	2,91	5,82	8,73	11,64	14,55	diameter (ft)

SOPRANO 1 HDW	mt 2	mt 4	mt 6	mt 8	mt 10	
with additional optic 25-46° ZOOM MAX 46°	1800	450	200	113	72	lux center (lx)
	167	42	19	10	7	foot candles (fc)
	170	340	509	679	849	diameter (cm)
	5,57	11,14	16,71	22,28	27,85	diameter (ft)