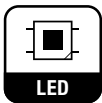


FOCUS 1 PINSPOT WH

EX FOCUS PINSPOT



FEATURES



CERTIFICATIONS



TREATMENTS

FINITURE

<input type="checkbox"/>	SILVER - RAL 9006	21

LED

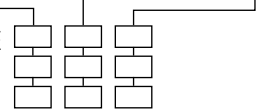
<input type="checkbox"/>	WHITE 3000 K	WB

LENS

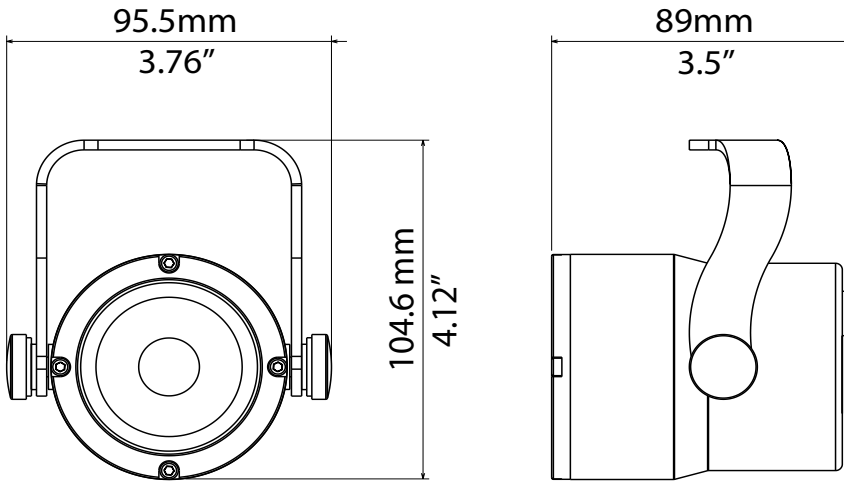
<input type="checkbox"/>	UN - 4°	18

FOCUS 1 PINSPOT WH

03.LCB010E



TECHNICAL

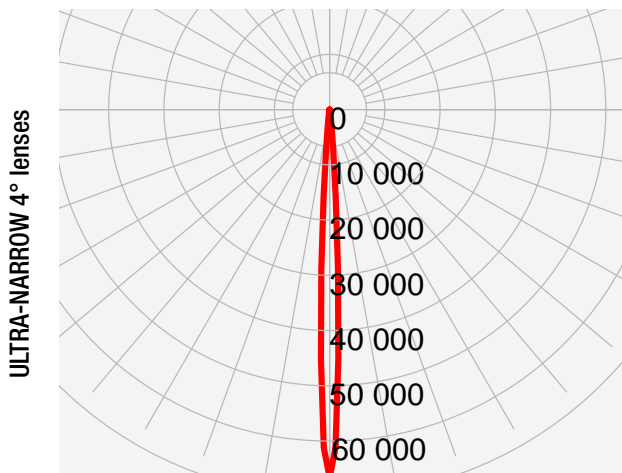


OUTPUT	• 1 x White LED
	• Lumens output (3000 K): 203 @ 700mA
	• LED lifespan: 50,000 hours (70% lumen output)
OPTICAL GROUP	• Ultra-Narrow flood 4°
POWER SUPPLY	• External CC PSU LED driver 700mA max per channel • Max distance between Drivenet PSU and fixture 100 m
	• Consumption: max 2 W @ 700mA
CONNECTIONS	• 90 cm end-stripped 2-pole cable
PHYSICAL	• Housing: Aluminium
	• Weight: 0.90 Kg (1.98 lbs)

CONNECTIONS CHART

DRIVENET 28C DIN @48Vdc	DRIVENET 28 EZ	DRIVENET 416	DRIVENET 832	DRIVENET 1664
Max 96 (48 items per output)	Max 96 (48 items per output)	Max 192 (48 items per output)	Max 384 (48 items per output)	Max 768 (48 items per output)

PHOTOMETRIC DATA FOCUS 1 PINSPOT - WHITE (3000 K) - @ 700mA



	mt 1 ft 3.28	mt 2 ft 6.56	mt 3 ft 9.84	mt 4 ft 13.12	mt 5 ft 16.40	
FULL POWER	9450	2363	1050	591	378	lux center (lx)
	878	220	98	55	35	foot candles (fc)
BEAM ANGLE	7	14	21	28	35	diameter (cm)
	0.23	0.46	0.69	0.92	1.15	diameter (ft)

ACCESSORIES ON REQUEST



03.LA.131.IP56 • HUB-IP56 Screw terminals
1 IN / 3 OUT



03.LA.131 • HUB-IP20 Screw terminals 1 IN / 3 OUT



Min. 4 - Max 12 units serial wired
0502T031 • Constant current PSU 700mA
9=48Vdc



Max 20 units serial wired @ 700mA
0514M240 • Constant current PSU 500-1400mA 60W *Push Dimming *DALI *230Vac
0514M241 • Constant current PSU 500-1400mA 60W *Push Dimming *DALI *100Vac



0509C081 • 2-pole underwater cable 2 x 1 mm²



0521A010 • Safety cable - 0.3x60 cm - max. capacity load 60 Kg

