

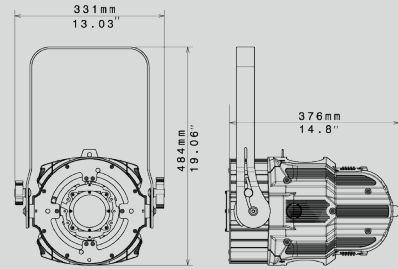
SOPRANO 5 HQS



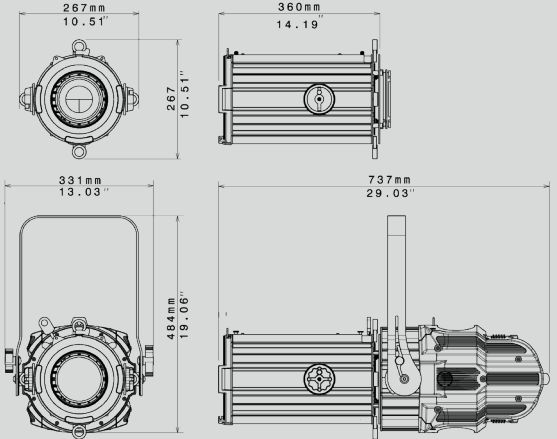
THE COLOR MANAGEMENT SYSTEM BY DTS IN A POWERFUL ELLIPSOIDAL SPOTLIGHT



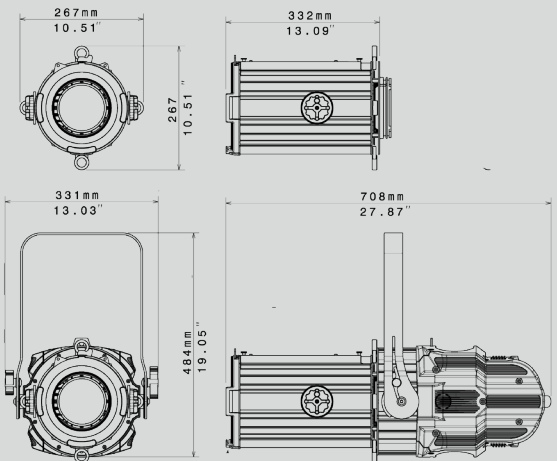
LED ENGINE



OPTICAL GROUP 15-30



OPTICAL GROUP 25-50



FEATURES



OPTIONALS

CERTIFICATIONS



CODES

LED ENGINE - 03.TSP100.49

OPTICAL GROUPS

15-30 - 03.TSP900.49

25-50 - 03.TSP901.49



TECHNICAL DATA

OUTPUT

- Multi chip LED Source
- Lumens output: 9,600 lm (Optical group 15-30)
- Lumens output: 11,100 lm (Optical group 25-50)
- CRI: up to 98
- TLCI: up to 96
- LED Lifespan: 20.000 hours (70% lumen output)

- Noise level
 - Standard: 34dBA @ 1m (normal operation, 100% power)
 - Silent: 29dBA @ 1m (normal operation, 87% power)
 - Ultra Silent: 26dBA @ 1m (normal operation, 70% power)
- Automatic: fans adapt to operational status (output power priority)
- Firmware updatable via DTS firmware uploader dongle

OPTICAL GROUP

- Changeable optics (*Led engine and optical group are sold separately*)
- Optical Group 15-30
 - 15°-30° linear zoom
- Optical Group 25-50
 - 21°-46° linear zoom

FRAMING SYSTEM

- Framing system composed of 4 symmetric blades
Blades are integrated in the optical group (not removable)
- Blades operate on three discrete planes
- 64° full system rotation (+/- 32°)

GOBOS

- Ø external (ED): 80 mm + 0.2/-0.2 mm
- Ø of image (ID): 50 mm
- Thickness: from 0.2 to 1.5 mm

COLOR & WHITE GENERATION

- 6-color LED engine
- Linear CCT (1800 K - 10000 K)
- Linear 'Green saturation'
- 100 gel filters emulation:
 - Linear crossfade from gel filters emulation to CCT whites
 - Linear crossfade between emulated gel filters
 - True color of gel filters emulation at any CCT values
- "Raw" RGBACL color-mixing in 'Advanced' mode

DMX

- CCT (Default)
 - Correlated Color Temperature
- Advanced
 - Correlated Color Temperature + Raw control for color channels RGBACL
- Basic
 - Correlated Color Temperature with priority on Gel Library and RGBACL color
- Expo
 - Dimmer 8 bit; Correlated Color Temperature priority on Gel Library
- CMY Emulation
 - Cyan, Magenta, Yellow and CTO emulation Mode

POWER SUPPLY

- Wide range 100/240 Vac 50-60 Hz
- Power consumption: 390 W max / 230Vac
- Power Factor: PF >0.94

CONNECTIONS

- DMX: XLR 5 pole In/Out panel connectors
- Power supply: PowerCON TRUE1 In/Out panel connectors

CIRCUITS PROTECTIONS

- Overvoltage and overtemperature circuits protection

OPERATING TEMPERATURE

-10° / 45° C

STORAGE TEMPERATURE

-20° / 60° C

PHYSICAL

- IP20
- LED engine weight:
 - 8 Kg (17.6 lbs)
- Optical group weight:
 - 15-30: 5.2 Kg (11.5 lbs)
 - 25-50: 5.9 Kg (13 lbs)
- Finishing: Black

DIMMER

- Hi-Q Dimming technology
- Tungsten Emulation function

CONTROL

- LCD graphic display + Jog Shuttle
- RDM/DMX 512 protocols
- 'Standard', 'Silent', 'Ultra Silent' and 'Automatic' fan modes

ACCESSORIES INCLUDED

- 1 x PowerCON TRUE1 female cable connector (code 0520P066)
- 1 x XLR 5 pins female cable connector (code 0508B147)
- 1 x XLR 5 pins male cable connector (code 0508B148)
- 1 x FilterframeBlack finishing - already installed on the projector (code 02M093424.49)

ACCESSORIES ON REQUEST

- Gobo holder (code 03.TA229)
- Gobo Holder + Filter Soft Edge (03.TA230)
- Iris/Diaphragm (code 03.TA228)
- Barndoor 4 leaf Black finishing (code 03.TBD06.49)
- Barndoor 8 leaf Black finishing (code 03.TBD08.49)
- Outdoor DMX cable 2 x 0,25 mm2 - Flame retardant (code 0509C158)
- Aliscraf clamp for Ø 48-51 mm tube-max load 100 Kg (code 0521A033)
- Professional G-QUICK clamp - max load 100 Kg (code 0521A037)
- Safety cable 3 x 600 mm - BGV-C1 certified (code 0521A049)
 - Single stranded: Max 20 Kg (44 lbs)
 - Double stranded: Max 30 Kg (66 lbs)
- Safety cable for Barndoor / Filterframe - Ø 0,8mm (code 0521A048)
- DTS firmware uploader dongle (code 03.LA.206)

PHOTOMETRIC DATA OPTICAL GROUP 15-30

BEAM ANGLE 15°

BEAM ANGLE 30°

	mt 2 ft 6.56	mt 4 ft 13.12	mt 6 ft 19.68	mt 8 ft 26.25	mt 10 ft 32.81		mt 2 ft 6.56	mt 4 ft 13.12	mt 6 ft 19.68	mt 8 ft 26.25	mt 10 ft 32.81	
3000 K	23400	5850	2600	1463	936	lux center (lx)	7920	1980	880	495	317	3000 K
	2175	544	242	136	87	foot candles (fc)	736	184	82	46	29	3000 K
4000 K	30560	7640	3396	1910	1222	lux center (lx)	10340	2585	1149	646	414	4000 K
	2840	710	316	178	114	foot candles (fc)	961	240	107	60	38	4000 K
5600 K	38560	9640	4284	2410	1542	lux center (lx)	12960	3240	1440	810	518	5600 K
	3584	896	398	224	143	foot candles (fc)	1204	301	134	75	48	5600 K
	53	105	158	211	263	diameter (cm)	107	214	322	429	536	
	1.73	3.46	5.18	6.91	8.64	diameter (ft)	3.52	7.03	10.55	14.07	17.58	

PHOTOMETRIC DATA OPTICAL GROUP 25-50

BEAM ANGLE 21°

BEAM ANGLE 46°

	mt 2 ft 6.56	mt 4 ft 13.12	mt 6 ft 19.68	mt 8 ft 26.25	mt 10 ft 32.81		mt 2 ft 6.56	mt 4 ft 13.12	mt 6 ft 19.68	mt 8 ft 26.25	mt 10 ft 32.81	
3000 K	16308	4077	1812	1019	652	lux center (lx)	3960	990	440	248	158	3000 K
	1516	379	168	95	61	foot candles (fc)	368	92	41	23	15	3000 K
4000 K	21280	5320	2364	1330	851	lux center (lx)	5160	1290	573	323	206	4000 K
	1978	494	220	124	79	foot candles (fc)	480	120	53	30	19	4000 K
5600 K	26760	6690	2973	1673	1070	lux center (lx)	6520	1630	724	408	261	5600 K
	2487	622	276	155	99	foot candles (fc)	606	151	67	38	24	5600 K
	74	148	222	297	371	diameter (cm)	170	340	509	679	849	
	2.43	4.86	7.30	9.73	12.16	diameter (ft)	5.57	11.14	16.71	22.28	27.85	