

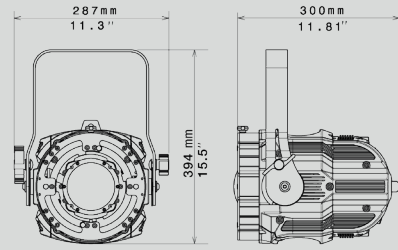
SOPRANO 5 WH



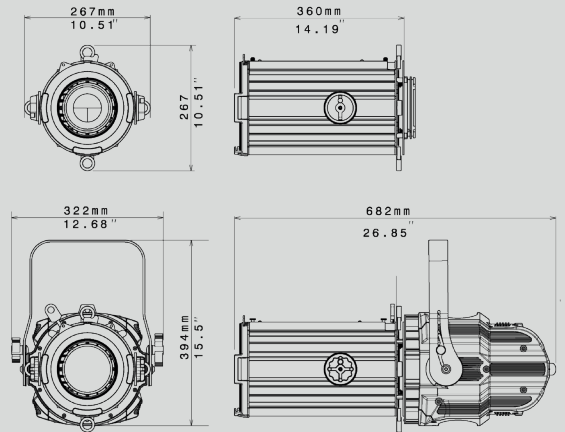
THE UN-CONVENTIONAL
ELLIPSOIDAL PROJECTOR WITH
POWERFUL WHITE SOURCE



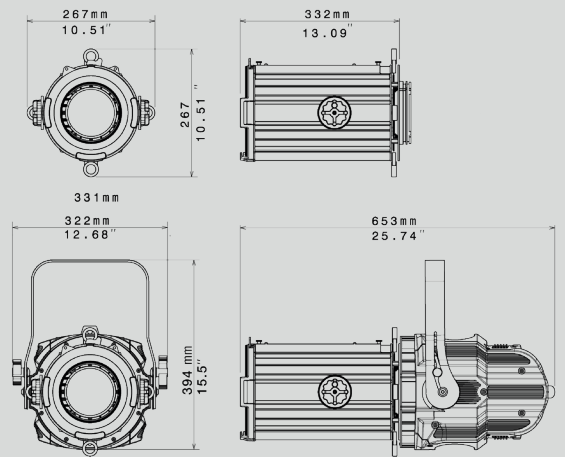
LED ENGINE



OPTICAL GROUP 15-30



OPTICAL GROUP 25-50



FEATURES



OPTIONALS

CERTIFICATIONS



CODES

LED ENGINE

3000 K - 03.TSP102.49

5700 K - 03.TSP103.49

OPTICAL GROUP

15-30 - 03.TSP900.49

25-50 - 03.TSP901.49



TECHNICAL DATA

OUTPUT

- Single white 3000 K LED source
 - Lumens Output: 8,100 lm (Optical group 15-30)
 - Lumens Output: 9,600 lm (Optical group 25-50)
- CRI >95
- Single white 5700 K LED source
 - Lumens Output: 9,900 (Optical group 15-30)
 - Lumens Output: 11,800 (Optical group 25-50)
- CRI >90
- Also available with 4000 K LED
 - Lumens output: 8,600 lm (Optical group 15-30)
 - Lumens output: 10,100 lm (Optical group 25-50)
 - CRI: >95
- LED Lifespan: 20,000 hours (70% lumen output)

OPTICAL GROUP

- Changeable optics (*Led engine and optical group are sold separately*)
- Optical Group 15-30
 - 15°-30° linear zoom
- Optical Group 25-50
 - 21°-46° linear zoom

FRAMING SYSTEM

- Framing system composed of 4 symmetric blades
Blades are integrated in the optical group (not removable)
- Blades operate on three discrete planes
- 64° full system rotation (+/- 32°)

GOBOS

- Ø external (ED): 80 mm + 0.2/-0.2 mm
- Ø of image (ID): 50 mm
- Thickness: from 0.2 to 1.5 mm

DIMMER

- PWM Dimming technology

CONTROL

- LCD graphic display + Jog Shuttle
- RDM/DMX 512 protocols
- 'Standard', 'Silent', 'Ultra Silent' and 'Automatic' fan modes

- Noise level
 - Standard: 30dBA @ 1m (normal operation, 100% power)
 - Silent: 26dBA @ 1m (normal operation, 100% power)
 - Ultra Silent: 25dBA @ 1m (normal operation, 90% power)
 - Automatic: fans adapt to operational status (output power priority)
- Firmware updatable via DTS firmware uploader dongle

DMX

- 4 DMX channels (Default)
 - Shutter, Dimmer 16bit and Fixture Control channel.
- 1DMX channel - Dimmer 8bit
- "Fine" mode - Dimmer 16bit

POWER SUPPLY

- Wide range 100/240 Vac 50-60 Hz
- Power consumption: 260 W max / 230Vac
- Power Factor: PF >0.94

CONNECTIONS

- DMX: XLR 5 pole In/Out panel connectors
- Power supply: PowerCON TRUE1 In/Out panel connectors

CIRCUITS PROTECTIONS

- Overvoltage and overtemperature circuits protection

OPERATING TEMPERATURE

-10° / 45° C

STORAGE TEMPERATURE

-20° / 60° C

PHYSICAL

- IP20
- LED engine weight: - 7.7 Kg (17 lbs)
- Optical group weight: - 15-30: 5.2 Kg (11.5 lbs) - 25-50: 5.9 Kg (13 lbs)
- Finishing: Black

ACCESSORIES INCLUDED

- 1 x PowerCON TRUE1 female cable connector (code 0520P066)
- 1 x XLR 5 pins female cable connector (code 0508B147)
- 1 x XLR 5 pins male cable connector (code 0508B148)
- 1 x FilterframeBlack finishing - already installed on the projector (code 02M093424.49)

ACCESSORIES ON REQUEST

- Gobo holder (code 03.TA229)
- Gobo Holder + Filter Soft Edge (03.TA230)
- Iris/Diaphragm (code 03.TA228)
- Barndoor 4 leaf Black finishing (code 03.TBD06.49)
- Barndoor 8 leaf Black finishing (code 03.TBD08.49)
- Outdoor DMX cable 2 x 0,25 mm2 - Flame retardant (code 0509C158)
- Aliscraf clamp for Ø 48-51 mm tube-max load 100 Kg 8code 0521A033)
- Professional G-QUICK clamp - max load 100 Kg (code 0521A037)
- Safety cable 3 x 600 mm - BGV-C1 certified (code 0521A049)
 - Single stranded: Max 20 Kg (44 lbs)
 - Double stranded: Max 30 Kg (66 lbs)
- Safety cable for Barndoor / Filterframe - Ø 0,8mm (code 0521A048)
- DTS firmware uploader dongle (code 03.LA.206)

PHOTOMETRIC DATA OPTICAL GROUP 15-30

BEAM ANGLE 15°

BEAM ANGLE 30°

	mt 2 ft 6.56	mt 4 ft 13.12	mt 6 ft 19.68	mt 8 ft 26.25	mt 10 ft 32.81		mt 2 ft 6.56	mt 4 ft 13.12	mt 6 ft 19.68	mt 8 ft 26.25	mt 10 ft 32.81	
3000 K	37200	9300	4133	2325	1488	lux center (lx)	12400	3100	1378	775	496	3000 K
	3457	864	384	216	138	foot candles (fc)	1152	288	128	72	46	3000 K
4000 K	39200	9800	4360	2450	1568	lux center (lx)	13700	3450	1520	855	550	4000 K
	3643	911	405	228	146	foot candles (fc)	1271	318	141	79	51	4000 K
5700 K	42644	10666	4740	2667	1707	lux center (lx)	15540	3885	1727	971	622	5700 K
	3965	991	441	248	159	foot candles (fc)	1444	361	160	90	58	5700 K
	53	105	158	211	263	diameter (cm)	107	214	322	429	536	
	1.73	3.46	5.18	6.91	8.64	diameter (ft)	3.52	7.03	10.55	14.07	17.58	

PHOTOMETRIC DATA OPTICAL GROUP 25-50

BEAM ANGLE 21°

BEAM ANGLE 46°

	mt 2 ft 6.56	mt 4 ft 13.12	mt 6 ft 19.68	mt 8 ft 26.25	mt 10 ft 32.81		mt 2 ft 6.56	mt 4 ft 13.12	mt 6 ft 19.68	mt 8 ft 26.25	mt 10 ft 32.81	
3000 K	25200	6300	2800	1575	1008	lux center (lx)	6000	1500	667	375	240	3000 K
	2342	586	260	146	94	foot candles (fc)	558	139	62	35	22	3000 K
4000 K	26400	6600	2940	1650	1060	lux center (lx)	6400	1600	720	400	256	4000 K
	2454	613	273	153	98	foot candles (fc)	595	149	66	37	24	4000 K
5700 K	29600	7400	3289	1850	1184	lux center (lx)	7460	1865	829	466	298	5700 K
	2751	688	306	172	110	foot candles (fc)	693	173	77	43	28	5700 K
	74	148	222	297	371	diameter (cm)	170	340	509	679	849	
	2.43	4.86	7.30	9.73	12.16	diameter (ft)	5.57	11.14	16.71	22.28	27.85	