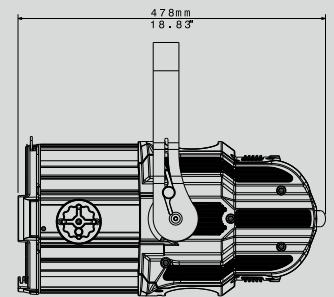
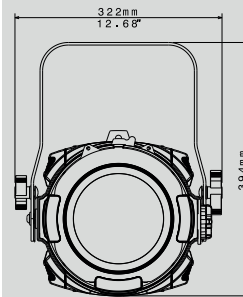
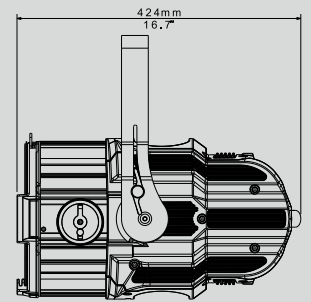
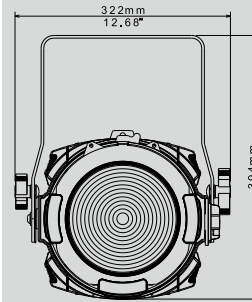


TENORE 5 HDW



THE WHITE MANAGEMENT SYSTEM BY DTS IN A POWERFUL CONVENTIONAL FRESNEL OR ANTIHALO FIXTURE



FEATURES



OPTIONALS

CERTIFICATIONS



CODES

FRESNEL LENS - 03.TTN101.49.F

ANTIHALOLENS-03.TTN101.49.A



TECHNICAL DATA

OUTPUT

- Multi chip LED Source
- Lumens output: 9,300 lm (Fresnel lens)
- Lumens output: 6,300 lm (PC lens)
- CRI: up to 98
- TLCI: up to 96
- LED Lifespan: 20,000 hours (70% lumen output)

OPTICAL GROUP

- Ø 175 mm Fresnel lens or Antihalo (PC) lens
- Ø 150 mm Antihalo (PC) lens
- Linear zoom
 - 12° - 62° with Fresnel lens
 - 6.5° - 45° with PC lens

COLOR & WHITE GENERATION

- 6-color LED engine
- Linear CCT (1800 K - 10000 K)
- Linear 'Green saturation'

DIMMER

- Hi-Q Dimming technology
- Tungsten Emulation function

CONTROL

- LCD graphic display + Jog Shuttle
- RDM/DMX 512 protocols
- 'Standard', 'Silent', 'Ultra Silent' and 'Automatic' fan modes
- Noise level
 - Fan Standard: 34dBA @ 1m (normal operation, 100% power)
 - Fan Silent: 29dBA @ 1m (normal operation, 87% power)
 - Fan Ultra Silent: 26dBA @ 1m (normal operation, 70% power)
 - Automatic: fans adapt to operational status (output power priority)
- Firmware updatable via DTS firmware uploader dongle

DMX

- CCT (Default)
 - Dimmer 16 bit with Correlated Color Temperature; Green saturation control
- Basic
 - Dimmer 8 bit with Correlated Color Temperature control

POWER SUPPLY

- Electronic Wide-range 100/240 Vac 50-60 Hz
- Power consumption: 390 W max / 230Vac
- Power Factor: PF >0.94

CONNECTIONS

- DMX: XLR 5 pole In/Out panel connectors
- Power supply: PowerCON TRUE1 In/Out panel connectors

CIRCUITS PROTECTIONS

- Overvoltage and overtemperature circuits protection

OPERATING TEMPERATURE

-10° / 45° C

STORAGE TEMPERATURE

-20° / 60° C

PHYSICAL

- IP20
- Weight:
 - FR - 9.3 Kg (20.5 lbs)
 - PC - 10.4 Kg (22.9 lbs)
- Finishing: Black

ACCESSORIES INCLUDED

- 1 x PowerCON TRUE1 female cable connector (code 0520P066)
- 1 x XLR 5 pins female cable connector (code 0508B147)
- 1 x XLR 5 pins male cable connector (code 0508B148)
- 1 x FilterframeBlack finishing - already installed on the projector (code 02M093399.49)

ACCESSORIES ON REQUEST

- Barndoor 4 leaf Black finishing (code 03.TBD07.49)
- Barndoor 8 leaf Black finishing (code 03.TBD09.49)
- Outdoor DMX cable 2 x 0,25 mm2 - Flame retardant (code 0509C158)
- Aliscaf clamp for Ø 48-51 mm tube-max load 100 Kg (code 0521A033)
- Professional G-QUICK clamp - max load 100 Kg (code 0521A037)
- Safety cable 3 x 600 mm - BGV-C1 certified (code 0521A049)
 - Single stranded: Max 20 Kg (44 lbs)
 - Double stranded: Max 30 Kg (66 lbs)
- Safety cable for Barndoor / Filterframe - Ø 0,8mm (code 0521A048)
- DTS firmware uploader dongle (code 03.LA.206)

PHOTOMETRIC DATA FRESNEL LENS

BEAM ANGLE 12° - @ 50%

BEAM ANGLE 62° - @ 10%

	mt 2 ft 6.56	mt 4 ft 13.12	mt 6 ft 19.68	mt 8 ft 26.25	mt 10 ft 32.81		mt 2 ft 6.56	mt 4 ft 13.12	mt 6 ft 19.68	mt 8 ft 26.25	mt 10 ft 32.81	
3000 K	25156	6289	2795	1572	1006	lux center (lx)	3353	838	373	210	134	3000 K
	2338	584	260	146	94	foot candles (fc)	312	78	35	19	12	3000 K
4000 K	31892	7973	3544	1993	1276	lux center (lx)	4250	1063	472	266	170	4000 K
	2964	741	329	185	119	foot candles (fc)	395	99	44	25	16	4000 K
5600 K	40072	10018	4452	2504	1603	lux center (lx)	5313	1328	590	332	213	5600 K
	3724	931	414	233	149	foot candles (fc)	494	123	55	31	20	5600 K
	42	84	126	168	210	diameter (cm)	240	481	721	961	1202	
	1.38	2.76	4.14	5.52	6.9	diameter (ft)	8.7.89	15.77	23.66	31.54	39.43	

PHOTOMETRIC DATA PC LENS

BEAM ANGLE 6.5° - @ 50%

BEAM ANGLE 45° - @ 10%

	mt 2 ft 6.56	mt 4 ft 13.12	mt 6 ft 19.68	mt 8 ft 26.25	mt 10 ft 32.81		mt 2 ft 6.56	mt 4 ft 13.12	mt 6 ft 19.68	mt 8 ft 26.25	mt 10 ft 32.81	
3000 K	34650	8663	3850	2166	1386	lux center (lx)	4730	1190	530	295	189	3000 K
	3220	805	358	201	129	foot candles (fc)	439	110	49	27	18	3000 K
4000 K	45680	11419	5075	2855	1827	lux center (lx)	6300	1580	700	394	252	4000 K
	4245	1061	472	265	170	foot candles (fc)	586	146	65	37	23	4000 K
5600 K	57850	14456	6425	3614	2313	lux center (lx)	7900	2000	880	495	315	5600 K
	5374	1344	597	336	215	foot candles (fc)	732	183	81	45	29	5600 K
	23	45	68	91	114	diameter (cm)	166	331	497	663	828	
	0.375	1.49	2.24	2.98	3.73	diameter (ft)	5.44	10.87	16.31	21.74	27.18	