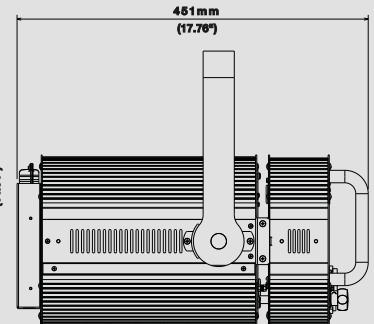
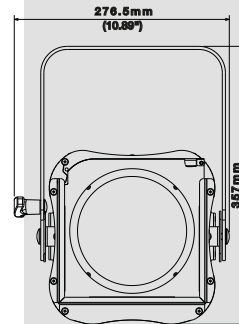
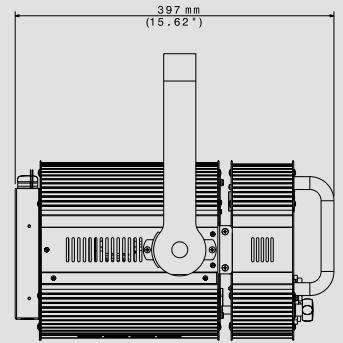
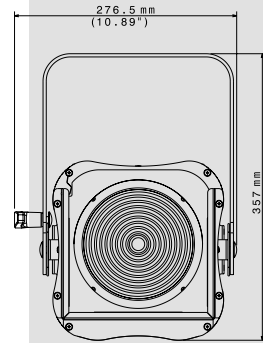


SCENA LED 200 CT



THE THEATRE LED PROJECTOR
WITH SELECTABLE COLOR
TEMPERATURE



FEATURES



OPTIONALS

MOTORIZED ZOOM VERSION - ON DEMAND

CERTIFICATIONS



CODES

FRESNEL LENS - 03.TS051.46.F

ANTIHALO LENS - 03.TS051.46.A



TECHNICAL DATA

OUTPUT

- Single high-power White with linearly tunable color temperature (2700 K - 6500 K)
- Lumen output: up to 5,613
- CRI > 90
- LED lifespan: 50,000 hours (70% lumen output)

OPTICAL GROUP

- Ø 150 mm Fresnel lens
- Linear zoom
 - 6.5° - 70° with Fresnel lens
 - 6.4° - 64° with PC lens

CONTROL

- DMX 512 / RDM or Manual control
- Multi-function 4-digit 7-segment LED display + 4 soft keys
- Firmware updatable via DTS firmware uploader dongle

DMX

- 7 DMX channels (default)
- 2 DMX channels
- "CTC" mode

POWER SUPPLY

- Electronic Wide-range 100-240Vac 50-60 Hz;
- Power consumption: 200 W max
- Power Factor: PF >0.94

CONNECTIONS

- Power supply: PowerCON TRUE1 In/Out panel connectors
- DMX: XLR 5-pole In/Out panel connectors

CIRCUITS PROTECTIONS

- Overvoltage and overtemperature circuits protection

OPERATING TEMPERATURE

-10° / 40° C

PHYSICAL

- IP20
- Weight:
 - FR - 8.6 Kg (19 lbs)
 - PC - 9.5 Kg (21 lbs) Finishing: Black
- Finishing: Black

ACCESSORIES INCLUDED

- 1 x PowerCON TRUE1 female cable connector (code 0520P066)
- 1 x XLR 5 pins female cable connector (code 0508B147)
- 1 x XLR 5 pins male cable connector (code 0508B148)
- 1 x Filterframe Black finishing - already installed on the projector (code 02M093278.49)

ACCESSORIES ON REQUEST

- Barndoor Black finishing (code 03.TBD04)
- Universal Hook Clamp - Max load 40 Kg - 88 lbs (code 0521A047)
- Outdoor DMX cable 2 x 0,25 mm² - Flame retardant (code 0509C158)
- Flightcase for 6 units (code 0521C075)
- Safety cable - 3 x 600 mm - max. capacity load 30 Kg (code 0521A010)
- DTS firmware uploader dongle (code 03.LA.206)

PHOTOMETRIC DATA FRESNEL LENS

	mt 2 ft 6.56	mt 4 ft 13.12	mt 6 ft 19.68	mt 8 ft 26.25	mt 10 ft 32.81	
BEAM ANGLE 6.5° @ 50%	lux center (lx)	25000	6250	2778	1563	1000
	foot candles (fc)	2323	581	258	145	93
	diameter (cm)	23	45	68	91	114
	diameter (ft)	0.75	1.49	2.24	2.98	3.73

	mt 2 ft 6.56	mt 4 ft 13.12	mt 6 ft 19.68	mt 8 ft 26.25	mt 10 ft 32.81	
BEAM ANGLE 70° @ 10%	lux center (lx)	1888	472	210	118	76
	foot candles (fc)	175	44	19	11	7
	diameter (cm)	280	560	840	1120	1400
	diameter (ft)	9.19	18.38	27.57	36.76	45.94

PHOTOMETRIC DATA ANTIHALO LENS

	mt 2 ft 6.56	mt 4 ft 13.12	mt 6 ft 19.68	mt 8 ft 26.25	mt 10 ft 32.81	
BEAM ANGLE 6.4° @ 50%	lux center (lx)	34538	8634	3838	2159	1382
	foot candles (fc)	3210	802	357	201	128
	diameter (cm)	22	45	67	89	112
	diameter (ft)	0.73	1.47	2.20	2.93	3.67

	mt 2 ft 6.56	mt 4 ft 13.12	mt 6 ft 19.68	mt 8 ft 26.25	mt 10 ft 32.81	
BEAM ANGLE 64° @ 10%	lux center (lx)	2119	530	235	132	85
	foot candles (fc)	197	49	22	12	8
	diameter (cm)	250	500	750	1000	1250
	diameter (ft)	8.20	16.40	24.60	32.80	41.00