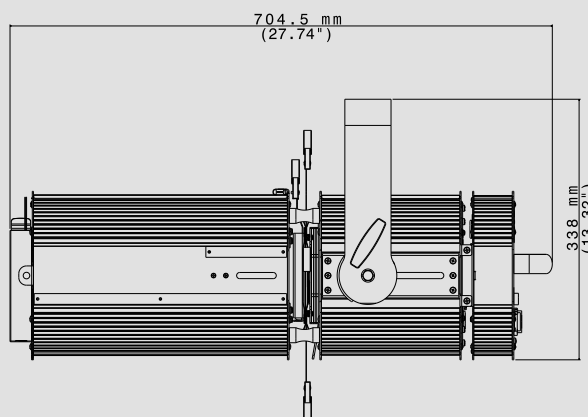
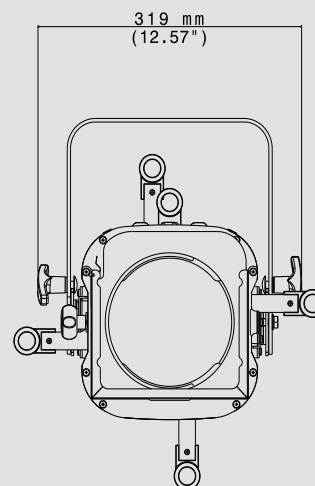


PROFILO LED 200 CT



THE HIGH-POWER ALTERNATIVE TO CONVENTIONAL PROFILERS WITH SELECTABLE COLOR TEMPERATURE



FEATURES



OPTIONALS

CERTIFICATIONS



CODE
03.TP039.46



TECHNICAL DATA

OUTPUT

- Single high-power 200 W white LED with linearly tunable color temperature
- (2700 K - 6500 K)
- CRI > 90
- LED lifespan: 50,000 hours (70% lumen output)

OPTICAL GROUP

- 15.5° - 38° linear zoom
- High definition zoom lens with double optical condenser lens

FRAMING SYSTEM

- Framing system composed of 4 asymmetric blades
- Each blade can be inverted
- 70° full system rotation (+/- 35°)
- Blades operate on three discrete planes
- A 5th blade can be added

GOBOS

- Ø external: 86 mm
- Ø of image: 60 mm
- Thickness: from 0.2 to 2 mm

CONTROL

- DMX 512 / RDM or Manual control
- Multi-function 4-digit 7-segment LED display + 4 soft keys
- Firmware updatable via DTS firmware uploader dongle

DMX

- 7 DMX channels (default)
- 2 DMX channel
- "CTC" mode

POWER SUPPLY

- Electronic Wide-range 100-240Vac 50-60 Hz;
- Power consumption: 200 W max
- Power Factor: PF >0.94

CONNECTIONS

- Power supply: PowerCON TRUE1 In/Out panel connectors
- DMX: XLR 5-pole In/Out panel connectors

CIRCUITS PROTECTIONS

- Overvoltage and overtemperature circuits protection

OPERATING TEMPERATURE

-10° / 40° C

PHYSICAL

- IP20
- Internal system with four removable shutters
- Yoke featuring an exclusive sliding system with clutch for a wider tilt
- Weight: 16.85 Kg (37.15 lbs)
- Finishing: Black

ACCESSORIES INCLUDED

ON BOARD

- 1 x Soft edge filter assembly (code 02TP0047)
- 1 x Filterframe Black finishing (code 02M00420.49)

IN THE BOX

- 1 x PowerCON TRUE1 female cable connector (code 0520P066)
- 1 x XLR 5 pins female cable connector (code 0508B147)
- 1 x XLR 5 pins male cable connector (code 0508B148)
- 4 x Shutter blades assembly (single blade code 02SK0429)

ACCESSORIES ON REQUEST

- 5th shutter blade (code 02SK0429)
- Iris/Diaphragm (code 03.TA225)
- Gobo holder (code 03.TA226)
- Outdoor DMX cable 2 x 0,25 mm² - Flame retardant (code 0509C158)
- Universal Hook Clamp - Max load 40 Kg - 88 lbs (code 0521A047)
- Safety cable - 3 x 600 mm - max. capacity load 30 Kg (code 0521A010)
- DTS firmware uploader dongle (code 03.LA.206)

PHOTOMETRIC DATA

	mt 2 ft 6.56	mt 4 ft 13.12	mt 6 ft 19.68	mt 8 ft 26.25	mt 10 ft 32.81	
BEAM ANGLE 15.5°	lux center (lx)	25900	6475	2878	1619	1036
	foot candles (fc)	2407	602	267	150	96
	diameter (cm)	54	109	163	218	272
	diameter (ft)	1.79	3.57	5.36	7.14	8.93
BEAM ANGLE 38°	mt 2 ft 6.56	mt 4 ft 13.12	mt 6 ft 19.68	mt 8 ft 26.25	mt 10 ft 32.81	
	lux center (lx)	5551	1388	617	347	222
	foot candles (fc)	516	129	57	32	21
	diameter (cm)	138	275	413	551	689
diameter (ft)	4.52	9.04	13.56	18.07	22.59	