



PHOS 45 outdoor pro is a projector for professional indoor and outdoor use with uncompromising technical features: IP65 protective housing, high efficiency, durable, extremely reliable components. The projector is particularly suitable for use as a safety system in an industrial environment or for demanding outdoor lighting installations - at any time of the year and in any weather! The projection motif (gobo) can be changed without tools.

### Construction

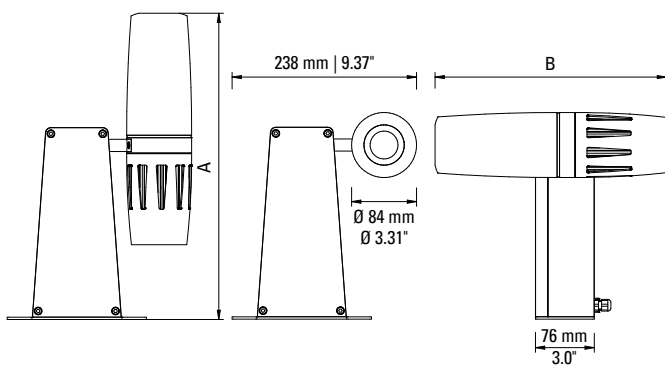
housing: ..... anodized aluminum, stainless steel, powder coated  
 weight (standard equipment): ..... 3.8 kg | 8.38 lbs  
 On / Off switch: ..... not available  
 IP-rating of the housing ..... IP 65

### Operating Conditions

application area ..... outdoor locations, humid interiors  
 ambient temperature: ..... -30°C - +35°C  
 cooling: ..... active, with a fan, 25 dBA

### Light Source and Optics

light source: ..... High Power LED, 40 W  
 luminous flux of the projector: ..... 2,388 lumens  
 efficiency ..... 54 lumens / watt  
 colour temperature: ..... 6,300 – 6,700 K  
 colour rendering index: ..... Ra >70  
 estimated lifetime of the LED (L70): ..... 35,000 operating hours  
 projection lens: ..... Standard Lens, f=85 mm (included)  
 gobo size / image size: ..... Ø 50.0 mm / Ø 40.0 mm  
 photobiological safety (ICE62471-5:2015, EN62471-5:2015): ..... RG-2



Projection Lens	Height A	Width B
Extra Wide Angle, f=45 mm	417 mm   16.4 "	322 mm   12.7 "
Wide Angle, f=63 mm	394 mm   15.5 "	298 mm   11.7 "
Standard, f=85 mm	394 mm   15.5 "	298 mm   11.7 "
Telephoto, f=135 mm	465 mm   18.3 "	370 mm   14.6 "

### Electrical Specifications

input voltage: ..... 220 - 240V AC, 50/60 Hz  
 power consumption: ..... 44 W  
 power factor: ..... 0.95 cos. φ  
 electrical protection class: ..... I  
 max. number of devices per circuit breaker B16A/C16A: ..... 30/51  
 device is dimmable: ..... no

**Item No.:** 20450110 (white), 20450120 (black), 20450130 (silver)

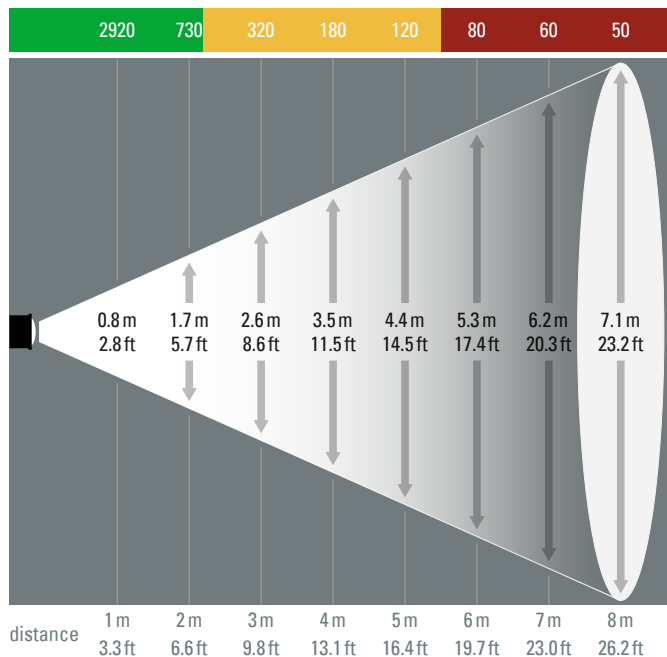
**Additional Accessories:** individual glass gobo according to your digital artwork, Extra Wide Angle Lens, f=45 mm, Wide Angle Lens, f=63 mm, Telephoto Lens, f=135 mm



# PHOS 45 outdoor pro – Photometric Diagrams

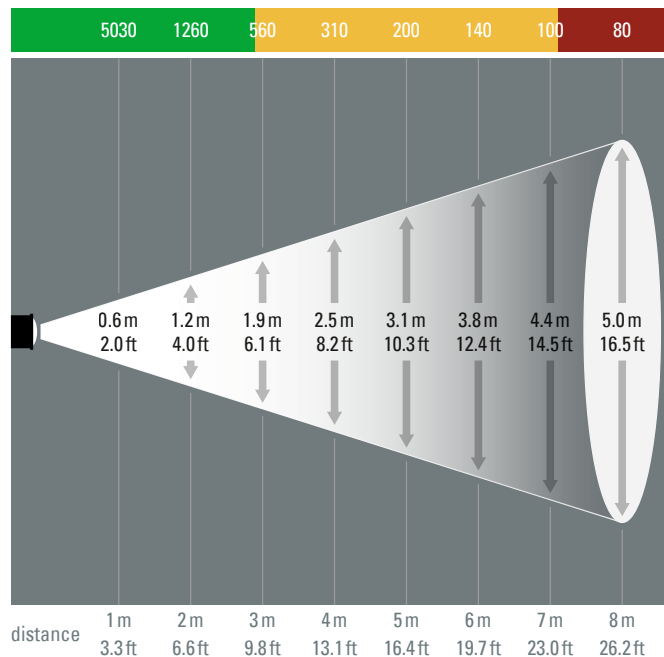
## PHOS 45, Extra Wide Angle Lens, f = 45 mm, 48°

illuminance [lux]



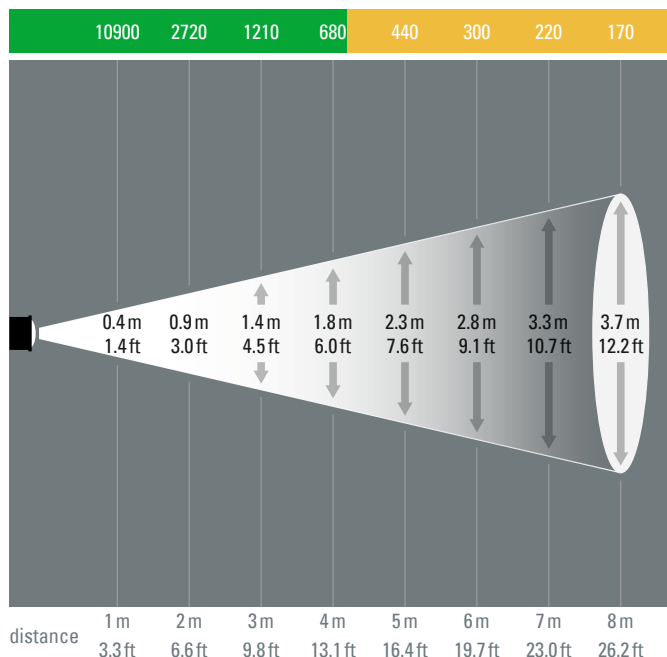
## PHOS 45, Wide Angle Lens, f = 63 mm, 35°

illuminance [lux]



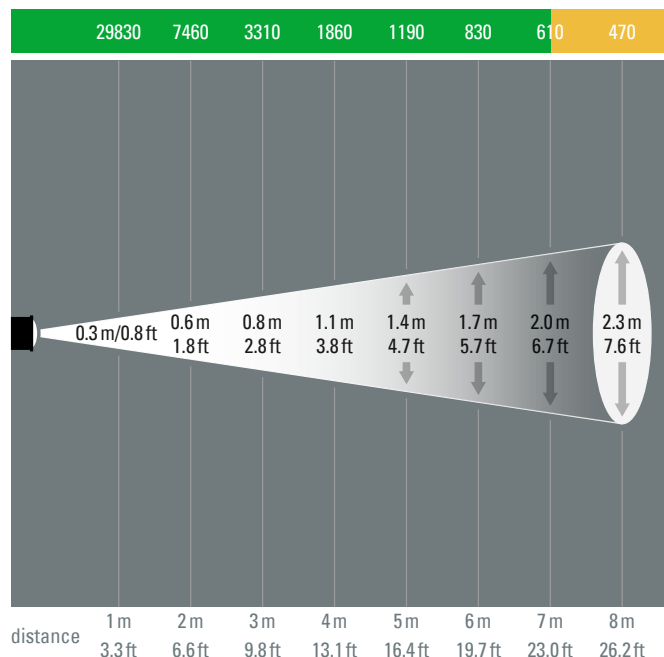
## PHOS 45, Standard Lens, f = 85 mm, 26°

illuminance [lux]



## PHOS 45, Telephoto Lens, f = 135 mm, 17°

illuminance [lux]



### Brightness Colour Coding:

- = with standard room lighting, suitable for coloured motifs
- = in low-light rooms, for motifs without colour
- = recommended only in darkened rooms

- The results shown are approximate values. The result may differ slightly in reality.
- The projection sizes indicate the maximum diameter that can be projected with a Ø 40 mm image.
- The projection motif is circular and fills the image area of the gobo. Other objects, e.g. rectangles or texts are fitted into the circular projection area.
- The projection is at right angles to the projection surface.

Detailed projection calculator at: [www.derksen.de](http://www.derksen.de)

derksen®  
lichttechnik

Derksen Lichttechnik GmbH  
Johannes-Rau-Allee 4  
45889 Gelsenkirchen  
Germany

Tel.: +49 209 98070-0  
info@derksen.de  
www.derksen.de